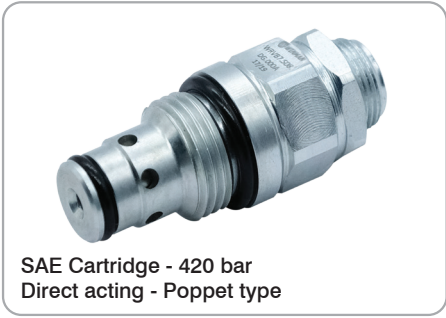


**WINMAN WRVB7.S08 SERIES RELIEF VALVES**

**WRVB7.S08 Series**



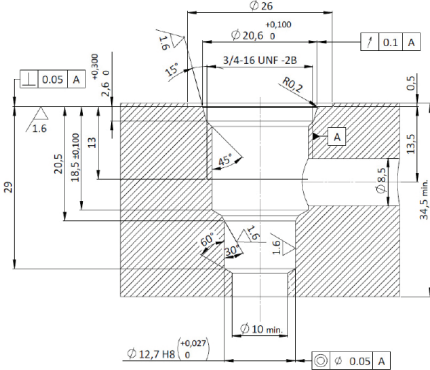
**Description**

A screw-in, cartridge style, direct acting, poppet type, normally closed hydraulic relief valve. It's typically used to protect hydraulic components from pressure transients. When the pressure at the Inlet (1) reaches the valve setting, the valve starts to open to tank (2) and thanks to the effect of the deflector integrated into the poppet it provides a limited pressure rise. The cartridge offers excellent response to load changes in hydraulic circuits requiring low internal leakage as well as limited hysteresis.

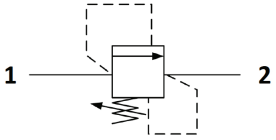
**Technical Features**

All external surfaces are zinc plated and corrosion-proof. All valve parts are made of high strength steel. Poppet is hardened and ground to guarantee minimal wear and to extend service life. Positive stop prevents springs from going solid. Optional spring ranges to 420 bar (6000 psi). Warning: Adjustment screw doesn't have a positive stop which prevents it from being backed out of the valve. Industry common cavity.

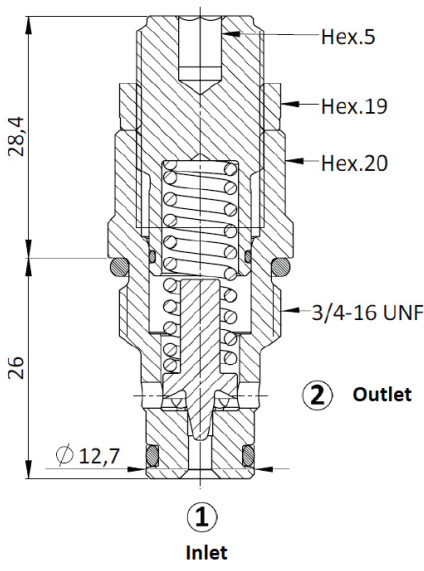
**Cavity Deta SAE 08**



**Symbol**



**Cross Section**



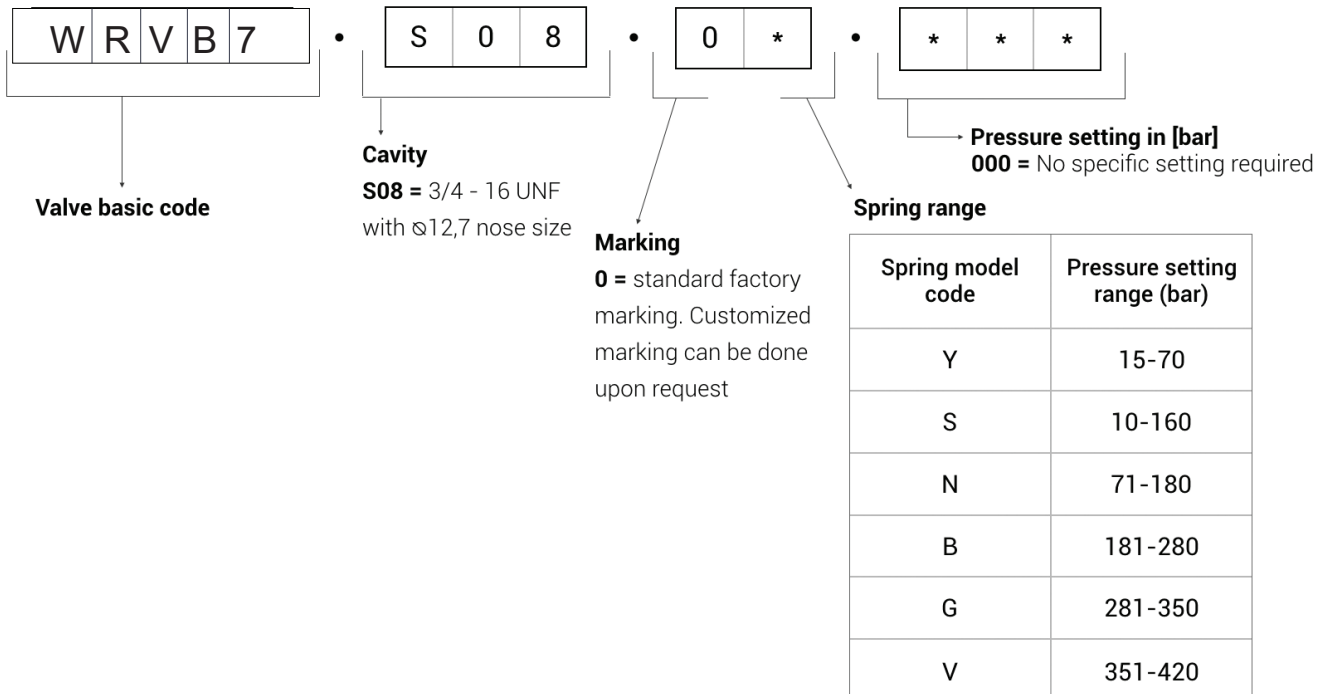
# WINMAN WRVB7.S08 SERIES RELIEF VALVES

## WRVB7.S08 Series

### Technical Data

Maximum operating pressure	420 bar
Maximum flow	25 l/min
Setting Pressure	See table below
Maximum internal leakage	0,25 cm <sup>3</sup> /min to 80% of nominal set point
External component treatment	Zn/Fe - standard (96h) Zn/Ni (720h)
O-ring Temperature Range	-30° C to 110° C (standard sealing NBR - BUNA-N)
Oil Temperature Range	-30° C to 110° C
Pressure settings established	@5 l/min
Reseat pressure	nominal 90% of cracking pressure
Fluids	Mineral - based or synthetics with lubricating properties
Viscosities	7,4 to 420 cSt
Filtration	20/18/15 ISO 4406 (maximum filtration admitted)
Orientation	No restrictions
Installation torque	40-45 Nm (Hex. 20)
Tightening torque nut	25-30 Nm (Hex. 19)
Oil testing condition	ISO VG 46 cSt
Seal kit code	SK.030
Plastic tamper proof cap	CTP001 (for more details see page 428-429)
Weight	0,100 kg

### Ordering Code



Specifications may change without notice.

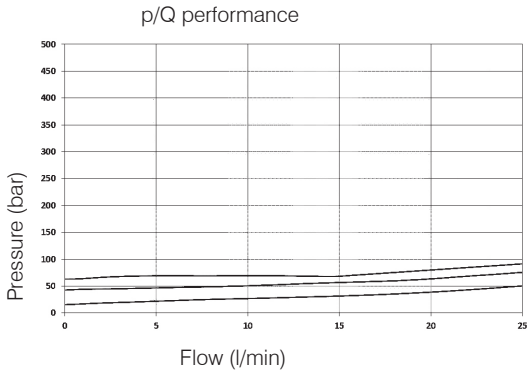
**WINMAN WRVB7.S08 SERIES RELIEF VALVES**

**WRVB7.S08 Series**

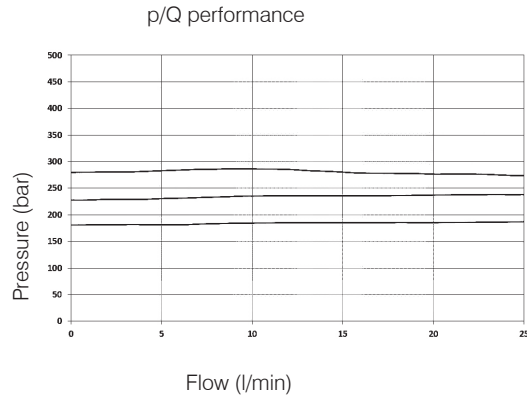
**Springs' Graphs**

Note: The performance chart illustrates flow handling capacity for each spring bias options. p/Q curves are recorded at TOil = 40°C and 46 cSt

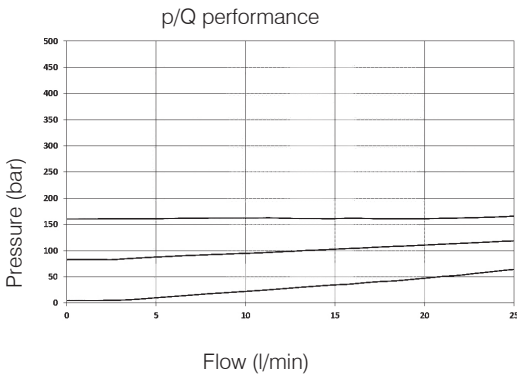
Spring = Y (15 - 70bar)



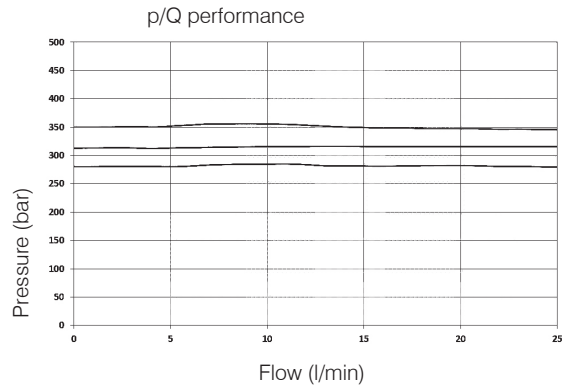
Spring = B (181 - 280bar)



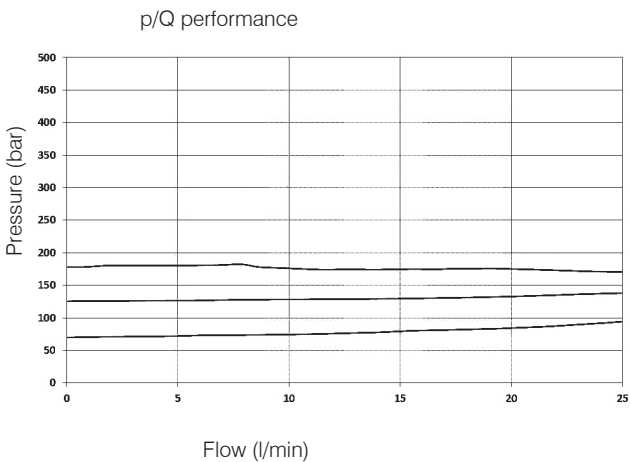
Spring = S (10 - 160bar)



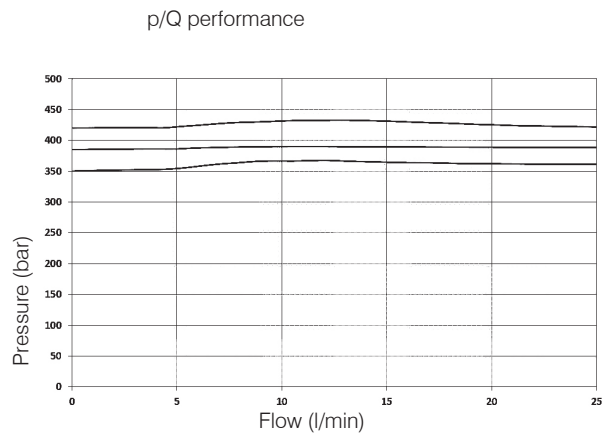
Spring = G (281 - 350bar)



Spring = N (71 - 180bar)



Spring = V (351 - 420bar)



Specifications may change without notice.