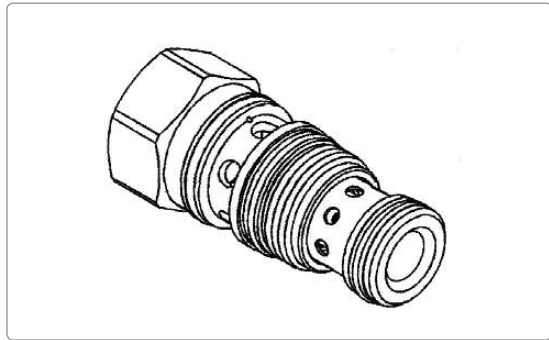


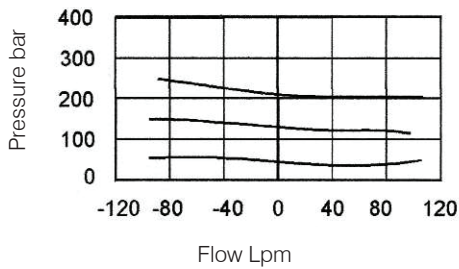
WRBP 03 SERIES CARTRIDGE REDUCING / RELIEVING VALVES (PILOT CONTROL VALVES)



Özellikler / Specification

Model Number	Operating Pressure (bar)	Flow (lpm)	Weight (kg)
WRBP-03	350 (5076 psi)	80 (21.13 gpm)	0.30(0.66 lbs)
Fluid Type	ISO VG 32, 46, 68		
Viscosity	cSt	10~ 400 (59~ 1854 SSU)	
Operating Temperature	°C	-15 ~ 70 (-5~ 158 °F)	
Contamination Level	ISO4406.21/19/16 NAS1638,10		

Performance



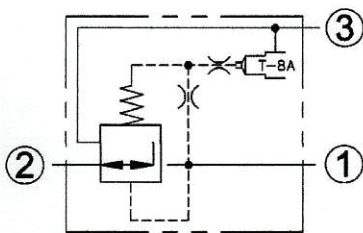
Description

The -8 control option allows a pilot control valve to be incorporated directly into the end of the modulating element via the T-8A cavity. These pilot control cartridges are sold separately and include electro-proportional, Solenoid, air pilot, and hydraulic pilot operation.

How To Order

- | | | | |
|-------------|-----------|---------------------------------------------------------------------------|---------------------------------|
| 1 | 2 | 1 Valve Series | 2 Subplate Mounting Size |
| WRBP | 03 | WRBP=Cartridge Type Reducing / Relieving Valves
(Pilot Control Valves) | 03 :T-2A
Cavity : CST-2A |

Control Ports



Dimensions

