

**WINMAN VS SERIES CHECK VALVES WITH LEAKAGE**

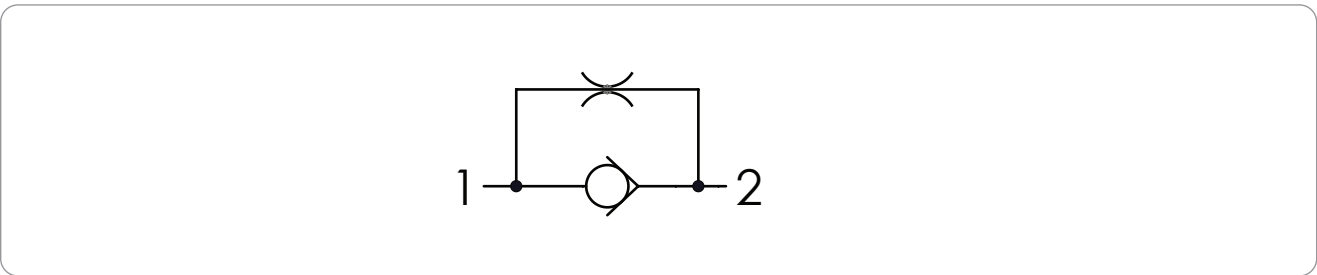


**Ordering Code**

01	02	03
<b>VS</b>	<b>380</b>	

01	CHECK VALVES WITH LEAKAGE		VS
02	SIZE	BSPP 3/8	380
03	GAPS	2 gaps	2T
		4 gaps	4T

**Hydraulic Circuit**

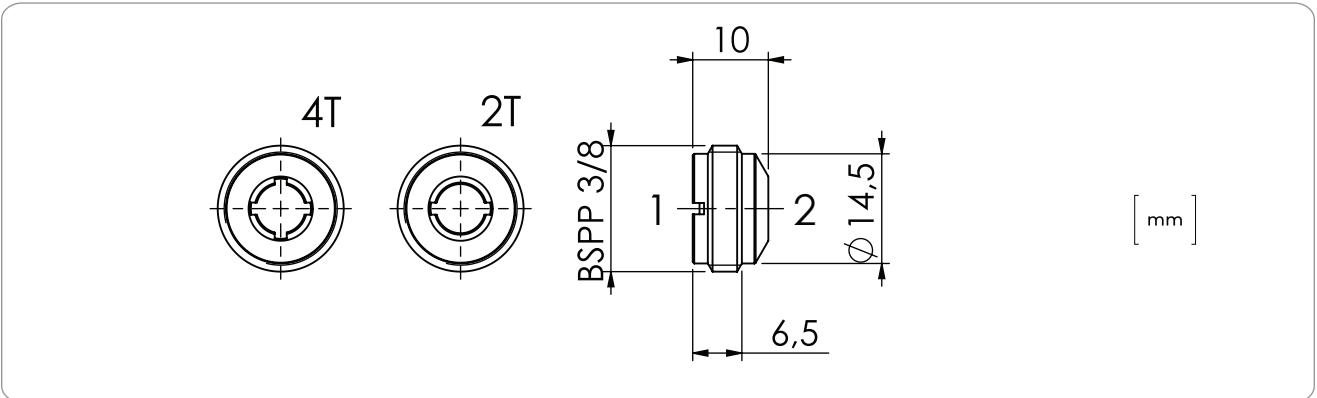
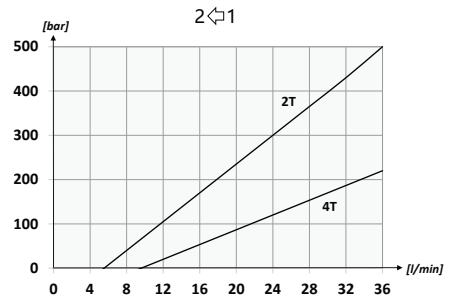


**Technical Data**

- Mineral oil ISO 6743/4
- Oil viscosity 15-250 mm<sup>2</sup>/s
- Max contamination index with filter ISO 4406:1999 Classe 19/17/14
- Oil temperature -20°C +80°C
- Environment temperature -20°C +50°C

It is necessary a filter use to protect the valve (advised filtration 15 µm)

**Performances**



**Technical Characteristics**

TYPE	MAX FLOW l/min	MAX PRESSURE bar	TIGHTENING TORQUE Nm	APPROX WEIGHT kg
WS380	35	500	6	0,01