

VPR SINGLE ACTING PILOT CHECK VALVES

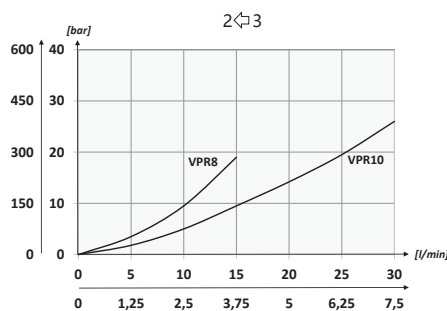
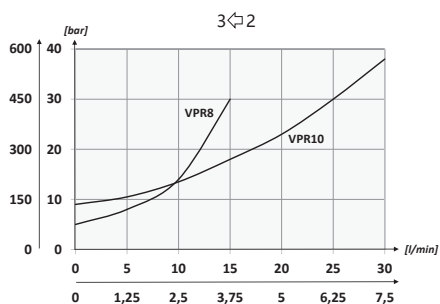
VPR SERIES



Speciality

Mineral oil	ISO 6743/4
Oil viscosity	15-250 mm ² /s
Max contamination index with filter	ISO 4406:1999
Oil temperature	-20°C +80°C
Ambient temperature	-20°C +50°C
It is necessary a filter use to protect the valve (advised filtration 15 μm)	

Performance

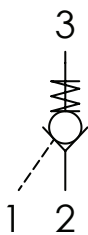


Ordering Code

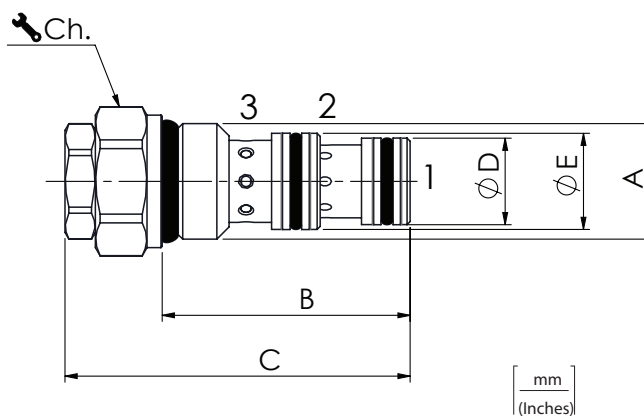
1	2
VPR	

01	(Single acting pilot check valves)	VPR
02	Dimension (Size)	3/4-16UNF
		7/8-14UNF

Control Port(s)



Dimensions



Technical characteristics

Type	A	Max flow l/min - USgpm	Max pressure bar/PSI	B	C	D	E	Approx weight kg-lb	Tightening torque Nm-lbf-ft	Pilot Ratio	Cavity	Key
VPR08	3/4-16UNF	15(4)	350(5075)	41(1.61)	57(2.24)	14,2(0.56)	15,8(0.62)	0,09(0.19)	25-30 (19-22)	1:2.5	SAE8/3	22
VPR10	7/8 - 14UNF	30(7.9)		47(1.85)	59(2.32)	15,8(0.62)	17,4(0.69)	0,11(0.25)	41-47 (30-35)	1:3	SAE10/3	27