

Air Control Valves(QKF)

QKF SERIES

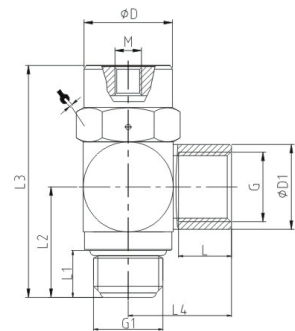


Product features

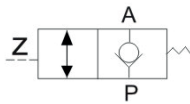
- The pressure can be kept safe of return circuit
- Prevent the cylinder work itself after it goes out of work
- The position accurate once the cylinder work off
- The special design and application of return circuit

Dimension

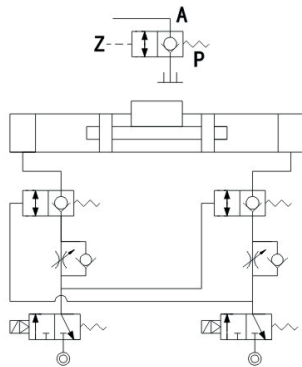
MODEL	φD	G	G1	M	φD1	L	L2	L3	L4	
QKF-G01	13	G1/8	G1/8	M5	13	8.5	15	37	17	13
QKF-G02	17	G1/4	G1/4	M5	16	11	17.5	43	19.5	17
QKF-G03	23.5	G3/8	G3/8	G3/8	26	18	32.5	91.5	32	24
QKF-G04	23.5	G1/2	G1/2	G3/8	26	16	34	93	36	24



Graphical Symbols



Accurate positioning



Pressure maintenance

