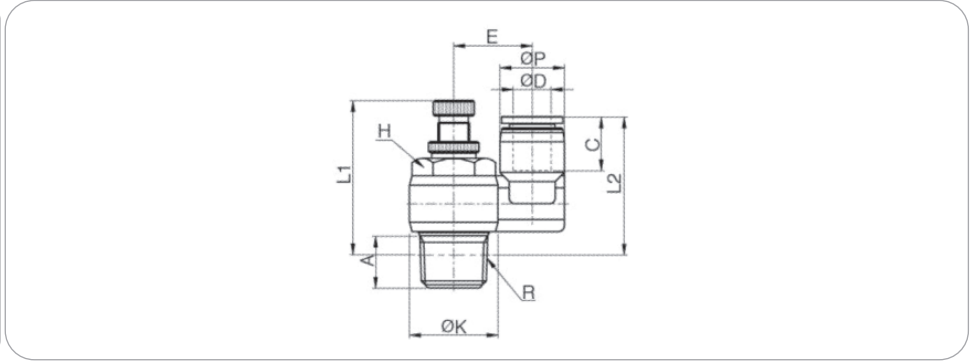


SANG-A NSS Serisi 90° Dirsek Hız Ayar Bağlantılar



Boyutlar

MODEL [ØD-T] Tube: (Metric) - Thread: (R)

MODEL	ØD	R	C	E	A	H	ØP	ØK	L1(Max)	L2	W.G(g)	Q'ty/ inbox
NSS 04-M5	4	M5	16	15.9	3.5	8	10.4	10.4	26.5	30.8	8.9	100
NSS 04-01	4	R1/8	16	18.1	8	10	10.4	14.4	36	33.9	24.1	50
NSS 04-02	4	R1/4	16	20.1	11.2	14	10.4	18.4	41.5	34.9	44.6	50
NSS 06-M5	6	M5	17	15.9	3.5	8	12.4	10.4	26.5	32.2	9.8	100
NSS 06-01	6	R1/8	17	18.1	8	10	12.4	14.4	36	35.3	24.8	50
NSS 06-02	6	R1/4	17	20.1	11.2	14	12.4	18.4	41.5	36.3	45.2	50
NSS 06-03	6	R3/8	17	22.5	13.3	19	12.4	22	47	37.3	55	25
NSS 08-01	8	R1/8	18.5	18.1	8	10	14.4	14.4	36	36.8	41.9	50
NSS 08-02	8	R1/4	18.5	20.1	11.2	14	14.4	18.4	41.5	37.8	46.2	50
NSS 08-03	8	R3/8	18.5	22.5	13.3	19	14.4	22	47	38.8	57	25
NSS 08-04	8	R1/2	18.5	24.9	16.5	24	14.4	28	52	39.8	65	25
NSS 10-02	10	R1/4	21	20.1	11.2	14	17.6	18.4	41.5	40.5	76.7	25
NSS 10-03	10	R3/8	21	22.5	13.3	19	17.6	22	47	41.5	84.6	25
NSS 10-04	10	R1/2	21	24.9	16.5	24	17.6	28	52	42.5	88	20
NSS 12-02	12	R1/4	22.5	20.1	11.2	14	21.2	18.4	41.5	42	84	25
NSS 12-03	12	R3/8	22.5	22.5	13.3	19	21.2	22	47	43	85.6	20
NSS 12-04	12	R1/2	22.5	24.9	16.5	24	21.2	28	52	44	95	20