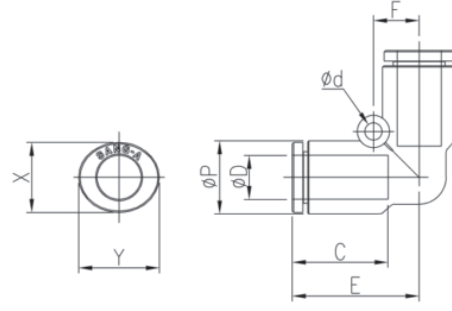


SANG-A GPUL Serisi Dirsek Bağlantılar

Union Elbow



Boyutlar

MODEL [ØD-T] Tube: (Metric) - Thread: (R)

MODEL	ØD	ØP	B	C	F	Ød	X	Y	Orifice (Ømm)	W.G(g)	Q'ty/ in box
GPUL 03	3	9	17.1	14.5	6	3.2	8.6	10.8	2.5	3.5	100
GPUL 04	4	9	17.1	14.5	6	3.2	8.6	10.8	3.2	3.2	100
GPUL 06	6	11.2	19	15.5	6.7	3.2	11	13	5	4.9	50
GPUL 08	8	13.6	23.6	17.8	8.5	3.2	13	15	7	9.4	50
GPUL 10	10	16.3	25	19.4	10	4.2	16	18.5	9	11.8	25
GPUL 12	12	19.7	32.2	22.4	12	4.2	19.5	22.5	10	22.5	25
GPUL 14	14	23.5	31.9	24.4	13.5	4.2	23	25	12	36.7	20
GPUL 16	16	25.6	34	25	15	4.2	24	27	14	36.5	20