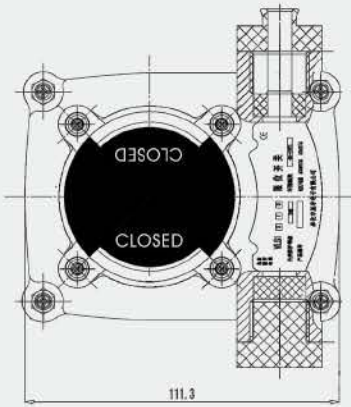
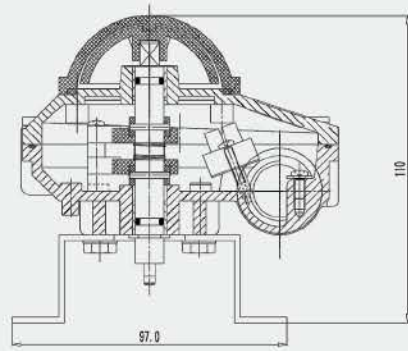
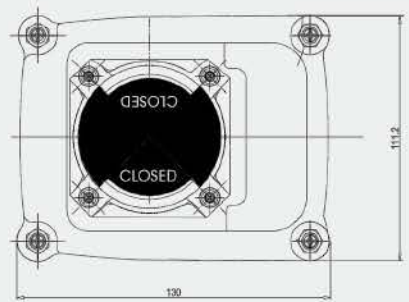
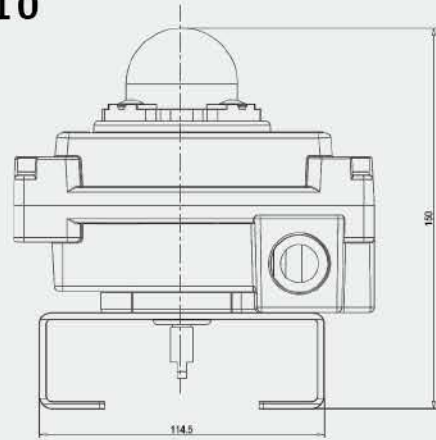


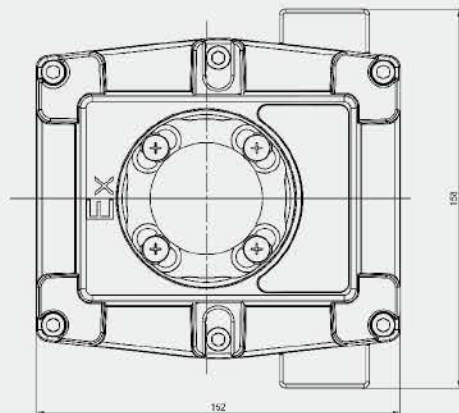
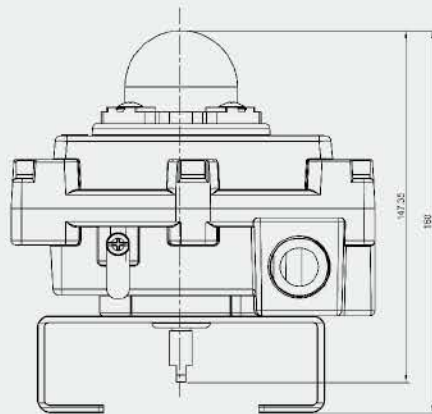
**W210**



**W310**



**W410**



## > Limit switch Box



### Ordering Code



### Limit switch box ,ex-proof limit switch box

#### Features

Limit switch box is designed based on advanced technology which are solid beautiful, high-level quality and with the following characteristic:

1. Visual position indicator and waterproof type.
2. Easy to set without tool based on spring loaded plined cam
3. There are many connection terminal and 8pcs of points, easy to connect and safety.
4. Standard dual cable connections.
5. No worry to loose bolts while cover opens.
6. Namur standard stainless steel shaft and bracket.

Model	W210N / W310N	W410N-EX
Explosion Proof	IP 65	ExdII BT4
Ambient Temp	-25°C ~ 85°C	
Cable Entry	G1/2" G3/4"	
Terminal Stripe	8	
Position Indicator	0 ~ 90°C	
Switches	Mechanical Type	
Potentiometer	1 KΩ	
Current	4~20mA	