

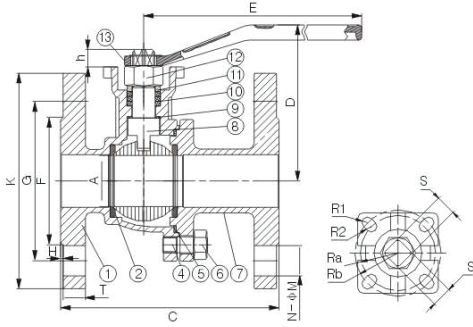
WINMAN WKV-DN JIS 10K Paslanmaz Küresel Vana / JIS Ball Valve


 WKV-DN
JIS 10K

Özellikler / Features

Pressure Range	10K		
Face to Face Dimensions	JIS 2002-2000		
Flange end Diemions	JIS B2212-1999		
Design	ANSI 16.34		
Test	GB/T13927-1992		
Material Standard	S45C/ASTM A216Gr WCB/DIN1.00619	SS316/ASTM A351Gr CF8M/DIN1.4408	SS304/ASTM A351Gr CF8/DIN1.4308

Teknik Çizim / Technical Drawing



Ana Parçalar ve Malzemeler / Main Parts and Materials

1	Gody	SUS304/SUS316/WCB
2	Seat	PTFE
3	Ball	SUS304/SUS316/SS
4	Bolt	SUS304/SS
5	Gaskep	PTFE
6	Nut	SUS304/SS
7	Cap	SUS304/SUS316/WCB
8	Stem	SUS304/SS
9	Thrust Washer	PTFE
10	Packing	PTFE
11	Gland	SUS304/SS
12	Stem Nut	SUS304/SS
13	Handle	SUS304/SS

Teknik Özellikler / Main Outer Size

DN	A	F	G	K	T	H	C	D	E	h	N	M	Ra	Rb	R2	R1	S
1/2"	15.0	48.8	70.0	95.0	11.0	1.0	107.0	73.0	140.0	9	4	15.0	18	21	3	3	9
3/4"	18.0	54.0	75.0	100.0	13.0	1.0	117.0	76.0	140.0	9	4	15.0	18	21	3	3	9
1"	24.0	66.0	90.0	125.0	13.0	1.0	127.0	86.0	165.0	11	4	19.0	21	25	3	3.5	11
1 1/4"	32.0	77.0	100.0	135.0	14.0	2.0	137.0	91.0	165.0	11	4	19.0	21	25	3	3.5	11
1 1/2"	36.0	85.0	105.0	140.0	14.0	2.0	165.0	119.0	195.0	14	4	19.0	25	35	3.5	4.5	14
2"	50.0	96.0	120.0	155.0	14.0	2.0	177.0	127.0	195.0	14	4	19.0	25	35	3.5	4.5	14
2 1/2"	62.0	116.0	140.0	175.0	16.0	2.0	188.5	136.0	240.0	14	4	19.0	25	35	3.5	4.5	14
3"	78.0	126.0	150.0	185.0	16.0	2.0	203.5	164.0	260.0	17	8	19.0	35	51	4.5	5.5	17
4"	100.0	151.8	175.0	210.0	16.0	2.0	228.0	178.0	320.0	19	8	19.0	35	51	4.5	5.5	19