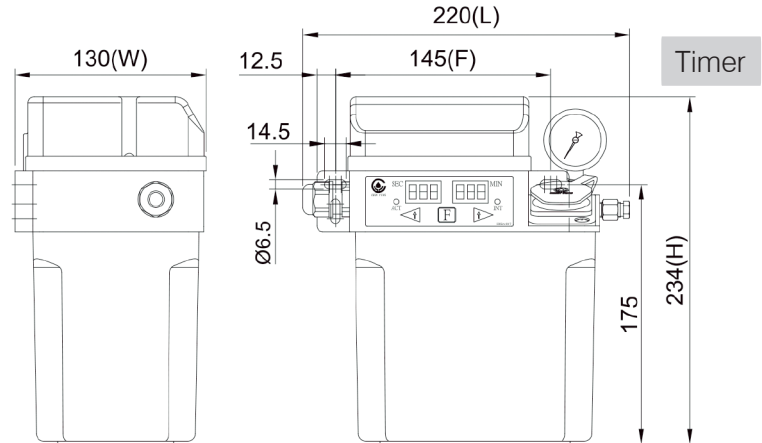


WINMAN WESG02 Serisi Elektrikli Zaman Ayarlı Yağlayıcı / WESG02 Resistance Electric Lubricator


WESG02-01 Standard



WESG02-0 Standard Externals

◆ Features

1. WESG02 type has a timer and the timer controls operation and interval time. The electronic box has operation and interval indicators.
2. The timer of WESG02 can automatically memorize the operation and interval time. WESG02 is Turn On-Feeding Type, which is suitable for the machinery that needs automatically oil feeding after turning on the power.
3. WESG02 can work with many kinds of open-straight distributors and proportion adapters.
4. It has a float switch that can detect the oil level. The float switch is NC contact, which will send the signal when the oil level is lower than the minimum level.
5. It has a feed-oil button ([F] button), press the [F] button and the oil will feed immediately. Please don't press the [F] button more than three minutes in order to avoid overloading. If the temperature reaches 100°C the sensor will be on to stop the motor running for about 5 minutes.
6. It has a pressure gauge for checking if the pressure is normal.
7. WESG02 doesn't have pressure switch or buzzer, but could be added on request.

WESG02 Single Phase Wiring Diagram

Abnormal Output			Ground	Power
NO(A)	NC(B)	COM	GND(P.E)	POWER
⊕	⊕	⊕	⊕	⊕

◆ Application of Machines Equipment

WESG02 is suitable for small machines such as lathe, milling machine, grinding machine, etc.

Model	Operation Time	Interval Time	Motor Output Watt	Max Volume	Max Pressure	1Ø Voltage	Ampere	Hertz	Discharge Bore	Oil Viscosity
WESG02	001-999 sec	001-999 min 001-999 hr	25±3W	130cc/min	15kgf/cm ²	110V	1.8A	60Hz	Ø4 Ø6	32-68cSt@40°C
						220V	0.9A	60Hz or 50Hz		
Model	Tank Code	Tank Material	Capacity Liters	Fixed Hole Distance(mm)	Length (mm)	Width (mm)	Height (mm)	Weight (kg)		
WESG02	01	Resin	2 L	145	220	130	234	2.30		
	02	Aluminum	2 L	95 x 200	225	151	225	3.50		
	03	Resin	3 L	205	230	167	239	2.80		
	04	Resin	4 L	250	277	162	257	3.45		
	05	Aluminum	4 L	95 x 280	297	170	252	4.45		
	08	Iron	8 L	95 x 338	355	200	261	7.20		

◆ Order code :

WESG 02	01	2	C	3	※
Model	Tank Capacity(Material)	Time (Act x Interval)	Voltage	Discharge Bore	Special Request
02 : Resistance Type, Controlled by Timer	01 : 2L (Resin) 02 : 2L (Aluminum) 03 : 3L (Resin) 04 : 4L (Resin) 05 : 4L (Aluminum) 08 : 8L (Iron)	1: sec x sec 2: sec x min 3: sec x hour	A : 110V,60Hz B : 220V,50Hz C : 220V,60Hz	0 : Ø4 1 : Ø6 2 : Ø4 (With Pressure Gauge) 3 : Ø6 (With Pressure Gauge)	※P : Add a pressure switch NO 1 kgf/cm ² or NC 1 kgf/cm ² ※B : Add a buzzer ※Z : Increase the discharge volume to 260cc/min