

WINMAN VUI Serisi Katrıç Tip Küresel Çekvalfler / WINMAN VUI Series Cartridge Type Ball Check Valves



01	VALVOLE UNIDIREZIONALI A SFERA (CHECK VALVES - BALL TYPE)		VUI
02	DIMENSIONE (SIZE)	BSPP 1/4	140
		BSPP 3/8	380
		BSPP 1/2	120
		BSPP 3/4	340

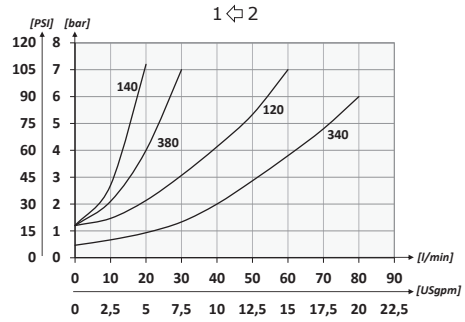
Hidrolik Devre/Hydraulic Circuit



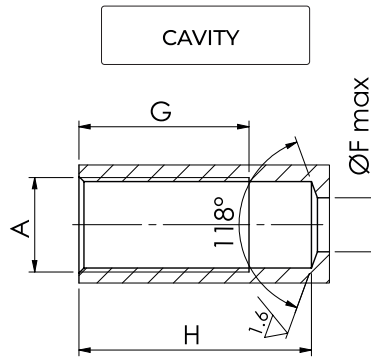
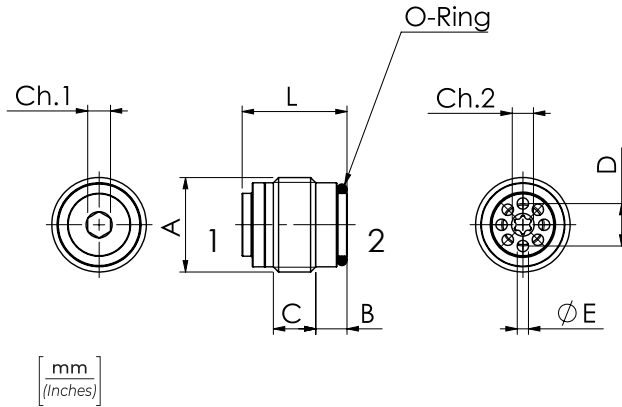
Teknik Veri/Technical Data

Mineral oil	ISO 6743/4 (DIN 51524)
Oil viscosity	15-250 mm ² /s (15 to 250 cSt)
Max contamination index	ISO 4406:1999 Classe 19/17/14
Oil temperature	-20°C +80°C -4°F +176°F
Ambient temperature	-20°C +50°C -4°F +122°F
It is necessary a filter use to protect the valve (advised filtration 15 µm)	
Max leakage	0,25 cm ³ /min - 5 gocce/min 0,015 in ³ /min - 5 drops/min
Cracking pressure	0,5 bar - 7.25 PSI

Performans/Performances



Teknik Çizim / Technical Drawing



IT'S POSSIBLE
TO INSTALL THE VALVE
IN BOTH DIRECTIONS

Teknik Özellikler / Technical Specifications

TIPO TYPE	A	MAX FLOW l/min-USgpm	MAX PRESSURE bar-PSI	B	C	D	E	F	G	H	L	CH.1	CH.2	TIGHTENING Nm-lbt ft	O-RING	APPROX WEIGHT kg-lbt
VUI140	BSPP 1/4	20 (5.3)	350 (5075)	5,5 (0.22)	6 (0.24)	6 (0.24)	1,3 (0.05)	7 (0.28)	28 (1.10)	31 (1.22)	17 (0.67)	3	Torx T15	4 (35)	9 x 1	0,01 (0.022)
VUI380	BSPP 3/8	30 (7.9)			7,5 (0.30)	7,5 (0.30)	2 (0.08)	9 (0.35)	31 (1.22)	34 (1.34)	18,5 (0.73)	4	Torx T15	6 (53)	10,82 x 1,78	0,018 (0.040)
VUI120	BSPP 1/2	50 (13.2)		7 (0.28)	8,5 (0.34)	10 (0.39)	2,5 (0.10)	12 (0.47)	35 (1.38)	38 (1.50)	22,5 (0.88)	6	5	10 (88)	14 x 1,78	0,033 (0.073)
VUI340	BSPP 3/4	80 (21.1)		8 (0.31)	12,5 (0.49)	14 (0.55)	3 (0.12)	16 (0.63)	41 (1.61)	45 (1.77)	28,5 (1.12)	8	8	20 (177)	18,72 x 2,62	0,07 (0.16)