

WINMAN VUP Serisi Disk Tipi Çekvalfler / WINMAN VUP Series Disc Type Check Valves



01	VALVOLE UNIDIREZIONALI A DISCO (CHECK VALVES - DISK TYPE)		VUP
02	DIMENSIONE (SIZE)	BSPP 1/2	120
		BSPP 3/4	340

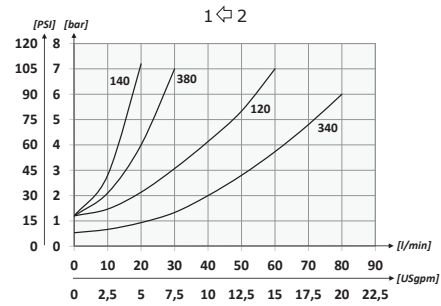
Hidrolik Devre/Hydraulic Circuit



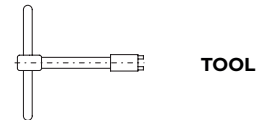
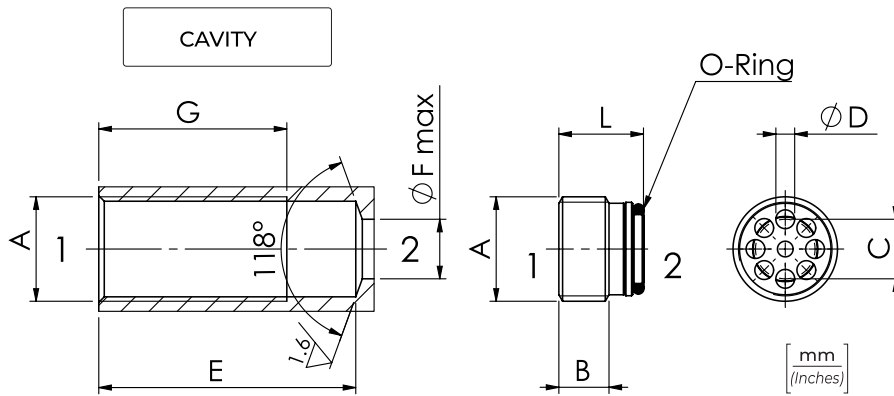
Teknik Veri/Technical Data

Mineral oil	ISO 6743/4 (DIN 51524)
Oil viscosity	15-250 mm²/s (15 to 250 cSt)
Max contamination index	ISO 4406:1999 Classe 19/17/14
Oil temperature	-20°C +80°C -4°F +176°F
Ambient temperature	-20°C +50°C -4°F +122°F
It is necessary a filter use to protect the valve (advised filtration 15 µm)	
Max leakage	0,25 cm³/min - 5 gocce/min 0,015 in ³ /min - 5 drops/min
Cracking pressure	0,5 bar - 7.25 PSI

Performans/Performances



Teknik Çizim / Technical Drawing



(DIMENSIONS)

TOOL'S TYPE	TYPE	WEIGHT (lb)
61700003	VUP120	0,15 (0.33)
617000030	VUP340	0,18 (0.40)

Teknik Özellikler / Technical Specifications

TYPE	A	MAX FLOW l/min-USgpm	MAX PRESSURE bar-PSI	B	C	D	E	F	G	L	Nm-lbt ft	O-Ring	WEIGHT kg-lbt
VUP120	BSPP 1/2	60 (15.9)	350 (5075)	10 (0.39)	12 (0.47)	4 (0.16)	32 (1.26)	12 (0.47)	29 (1.14)	16,1 (0.63)	10 (88)	14 x 1,78	0,02 (0.044)
VUP340	BSPP 3/4	80 (21.1)		10,5 (0.41)	16 (0.63)	4,75 (0.19)	37 (1.46)	16 (0.63)	33 (1.30)	20,2 (0.80)	20 (177)	18,72 x 2,62	0,043 (1.12)