

**WINMAN KHB 3K Serisi 3 Yollu Yüksek Basıncılı Küresel Vana / 3 Way High Pressure Ball Valve****1. Nasıl Sipariş Verilir / How to Order**

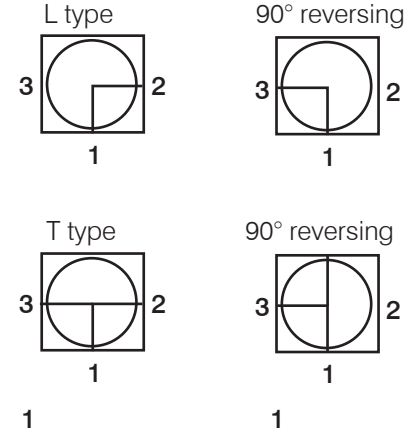
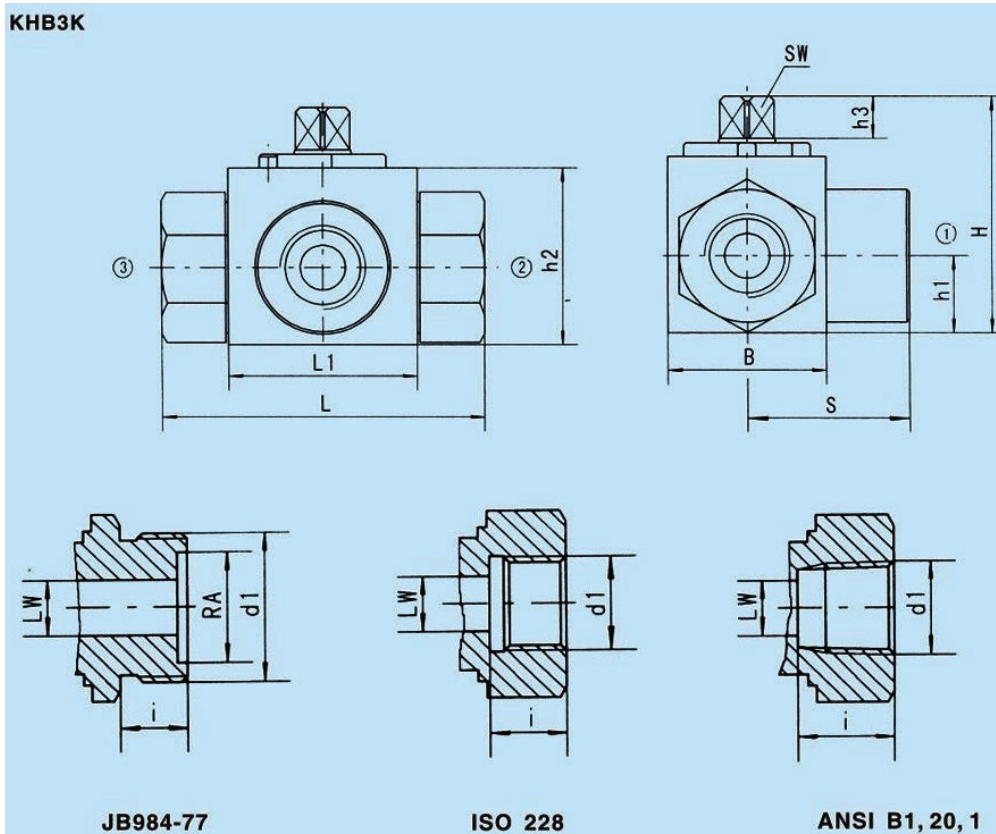
<b>KHB3K</b>	-	<b>G1/2</b>	-	<b>L</b>	-	<b>1</b>	<b>1</b>	<b>1</b>	<b>2</b>
(1)		(2)		(3)		(4)	(5)	(6)	(7)

- (1) Model : KHB3K : Square body DN 04 - DN 50  
(2) Thread size : e.g. G1/2  
(3) Porting pattern : See chart of porting pattern  
(4) Block and connections material : 1= Carbon steel  
4= Stainless steel 304  
(5) Ball & stem material : 1= Carbon steel  
4= Stainless steel 304  
(6) Ball & seat material : 1= POM 4= PTFE 5=PEEK  
(7) Connection & stem seal : 2= NBR 4= FPM ( Viton)  
6= EPDM

**2. Taşıma Şekli (Grafiğe bakınız) / Porting pattern ( See chart)**

Hydraulic oil just can flow into valve through port "1", and the valve only can be sealed under the two situations:

- (1) Pressure at the closed port is zero;  
(2) Pressure at the closed port is lower than at the two open ports.

**2. Boyutlar / Dimensions**

## WINMAN KHB 3K Serisi 3 Yollu Yüksek Basıncılı Küresel Vana / 3 Way High Pressure Ball Valve

### 2. Boyutlar / Dimensions

JB984-77 Male Face SealK

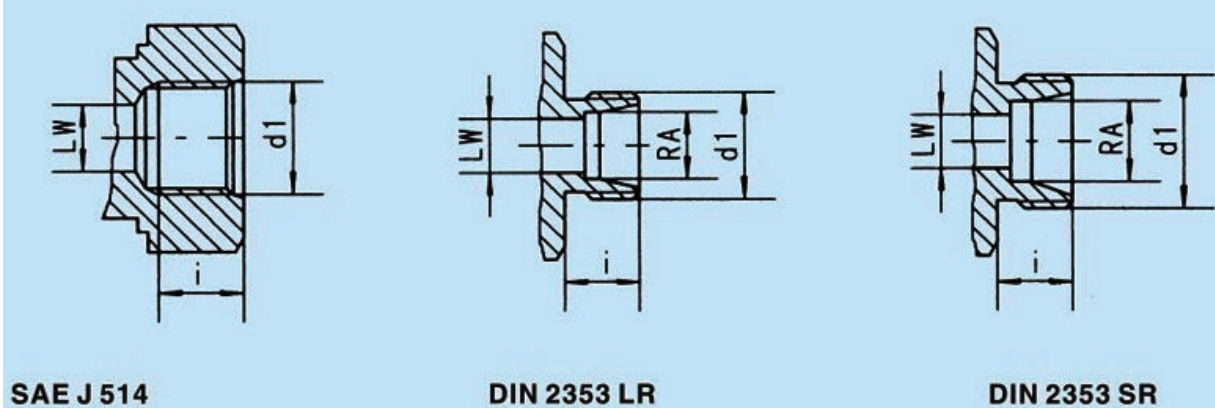
Model	DN	PN	LW	RA	d1	i	L	L1	B	H	h1	h2	h3	SW	S
KHB3K-M12X1.25	4	315	4	8	M12X1.25	9	61	37	28	44.5	13	32	8	9	35
KHB3K-M16X1.5	6	315	6	11	M16X1.25	11	69	37	28	44.5	13	32	8	9	35
KHB3K-M22X1.5	8	315	8	16	M22X1.25	12	76	42	32	52.5	17	40	8	9	38
KHB3K-M27X1.5	10	315	10	20	M27X1.25	12	76	42	32	52.5	17	40	8	9	38
KHB3K-M30X1.5	16	315	15	24	M30X1.25	13	84	47	38	63.5	19	46	11	12	42
KHB3K-M36X2	20	315	20	30	M36X2	15	103	60	48	75	24	57	12	14	52
KHB3K-M42X2	25	315	25	35	M42X2	18	116	65	57	82	28.5	64	12	14	60
KHB3K-M52X2	32	315	30	40	M52X2	20	149	84	75	104.5	37.5	84	14	17	72
KHB3K-M60X2	40	315	38	50	M60X2	22	174	91	85	115.5	42.5	95	14	17	79.5
KHB3K-M72X2	50	315	48	60	M72X2	24	178	100	105	133	52.5	112.5	14	17	89

ISO 228 Female

Model	DN	PN	LW	d1	i	L	L1	B	H	h1	h2	h3	SW	S
KHB3K-G1/8	4	315	6	G1/8	10	69	37	28	44.5	13	32	8	9	35
KHB3K-G1/4	6	315	6	G1/4	14	69	37	28	44.5	13	32	8	9	35
KHB3K-G3/8	10	315	10	G3/8	14	72	42	32	52.5	17	40	8	9	36
KHB3K-G1/2	13	315	13	G1/2	16	83	48	35	52.5	17	40	8	9	40
KHB3K-G1/2	16	315	15	G1/2	16	83	47	38	63.5	19	46	11	12	42
KHB3K-G3/4	20	315	20	G3/4	18	95	60	48	75	24	57	12	14	49
KHB3K-G1	25	315	25	G1	20.5	113	65	57	82	28.5	64	12	14	56.5
KHB3K-G1 1/4	25/32	315	25	G1 1/4	22	120	65	60	82	28.5	64	12	14	60
KHB3K-G1 1/4	32	315	30	G1 1/4	22	110	84	75	104.5	37.5	84	14	17	55
KHB3K-G1 1/2	40	315	38	G1 1/2	24	130	91	85	115.5	42.5	95	14	17	65
KHB3K-G2	50	315	48	G2	24	140	100	105	133	52.5	112.5	14	17	70

ANSI B1 20, 1 NPT Female

Model	DN	PN	LW	d1	i	L	L1	B	H	h1	h2	h3	SW	S
KHB3K-1/8NPT	4	315	6	1/8NPT	10.5	69	37	28	44.5	13	32	8	9	35
KHB3K-1/4NPT	6	315	6	1/4NPT	14	69	37	28	44.5	13	32	8	9	35
KHB3K-3/8NPT	10	315	10	3/8NPT	14	72	42	32	52.5	17	40	8	9	36
KHB3K-1/2NPT	13	315	13	1/2NPT	17	83	48	35	52.5	17	40	8	9	40
KHB3K-3/4NPT	20	315	20	3/4NPT	19	95	60	48	75	24	57	12	14	49
KHB3K-1 NPT	25	315	25	1NPT	22.5	113	65	57	82	28.5	64	12	14	56.5
KHB3K-1 1/4NPT	25/32	315	25	1 1/4NPT	22.5	120	65	60	82	28.5	64	12	14	57.5
KHB3K-1 1/4NPT	32	315	30	1 1/4NPT	25	120	84	75	104.5	37.5	84	14	17	60
KHB3K-1 1/2NPT	40	315	38	1 1/2NPT	25	130	91	85	115.5	42.5	95	14	17	70
KHB3K-2 NPT	50	315	48	2NPT	30	140	100	105	113	52.5	112.5	14	17	75

**2. Boyutlar / Dimensions**

**SAE J 514 UN/UNF Female**

Model	DN	PN	LW	d1	i	L	L1	B	H	h1	h2	h3	SW	S
KHB3K-SAE4	6	315	6	SAE4	12	69	37	28	44.5	13	32	8	9	35
KHB3K-SAE6	10	315	10	SAE6	13	72	42	32	52.5	17	40	8	9	36
KHB3K-SAE8	13	315	13	SAE8	15	83	48	35	52.5	17	40	8	9	40
KHB3K-SAE12	20	315	20	SAE12	20	95	60	48	75	24	57	12	14	49
KHB3K-SAE16	25	315	25	SAE16	20	113	65	57	82	28.5	64	12	14	56.5
KHB3K-SAE20	25/32	315	25	SAE20	20	120	65	60	82	28.5	64	12	14	60
KHB3K-SAE20	32	315	30	SAE20	20	120	84	75	104.5	37.5	84	14	17	60
KHB3K-SAE24	40	315	38	SAE24	20	130	91	85	115.5	42.5	95	14	17	70
KHB3K-SAE32	50	315	48	SAE32	20	140	100	105	113	52.5	112.5	14	17	75

**SAE J 514 UN/UNF Female**

Model	DN	PN	LW	RA	d1	i	L	L1	B	H	h1	h2	h3	SW1	S
KHB3K-06LR	4	315	4	6	M12X1.5	10	67	37	28	44.5	13	32	8	9	34.5
KHB3K-08LR	6	315	6	8	M14X1.5	10	67	37	28	44.5	13	32	8	9	34.5
KHB3K-10LR	8	315	8	10	M16X1.5	11	74	42	32	52.5	17	40	8	9	37
KHB3K-12LR	10	315	10	12	M18X1.5	11	74	42	32	52.5	17	40	8	9	37
KHB3K-15LR	13	315	13	15	M22X1.5	12	82	48	35	52.5	17	40	8	9	40
KHB3K-15LR	13	315	13	15	M22X1.5	12	82	47	38	63.5	19	46	11	12	40
KHB3K-18LR	13	315	13	18	M26X1.5	12	82	48	35	52.5	17	40	8	9	42
KHB3K-18LR	16	315	15	18	M26X1.5	12	82	47	38	63.5	19	46	11	12	42
KHB3K-22LR	20	315	19	22	M30X2	14	101	60	48	75	24	57	12	14	52
KHB3K-28LR	25	315	25	28	M36X2	14	108	65	57	82	28.5	64	12	14	54
KHB3K-35LR	25/32	315	25	35	M45X2	16	112	65	60	82	28.5	64	12	14	56

**WINMAN KHB 3K Serisi 3 Yollu Yüksek Basıncılı Küresel Vana / 3 Way High Pressure Ball Valve****2. Boyutlar / Dimensions**

DIN 2353 Heavy series

Model	DN	PN	LW	RA	d1	i	L	L1	B	H	h1	h2	h3	SW	S
KHB3K-08SR	4	315	5	8	M16X1.5	12	73	37	28	44.5	13	32	8	9	37
KHB3K-10SR	6	315	6	10	M18X1.5	12	73	37	28	44.5	13	32	8	9	37
KHB3K-12SR	8	315	8	12	M20X1.5	14	76	42	32	52.5	17	40	8	9	38
KHB3K-14SR	10	315	10	14	M22X1.5	14	80	42	32	52.5	17	40	8	9	40
KHB3K-16SR	13	315	13	16	M24X1.5	14	86	48	35	52.5	17	40	8	9	43.5
KHB3K-16SR	13	315	13	16	M24X1.5	14	86	47	38	63.5	19	46	11	12	43.5
KHB3K-20SR	13	315	13	20	M30X2	16	90	48	35	52.5	17	40	8	9	45.5
KHB3K-20SR	16	315	15	20	M30X2	16	90	47	38	63.5	19	46	11	12	45.5
KHB3K-25SR	20	315	20	25	M36X2	18	109	60	48	75	24	57	12	14	56
KHB3K-30SR	25	315	25	30	M42X2	20	120	65	57	82	28.5	64	12	14	60
KHB3K-38SR	25/32	315	25	38	M52X2	22	124	65	60	82	28.5	64	12	14	62

PN=Bar