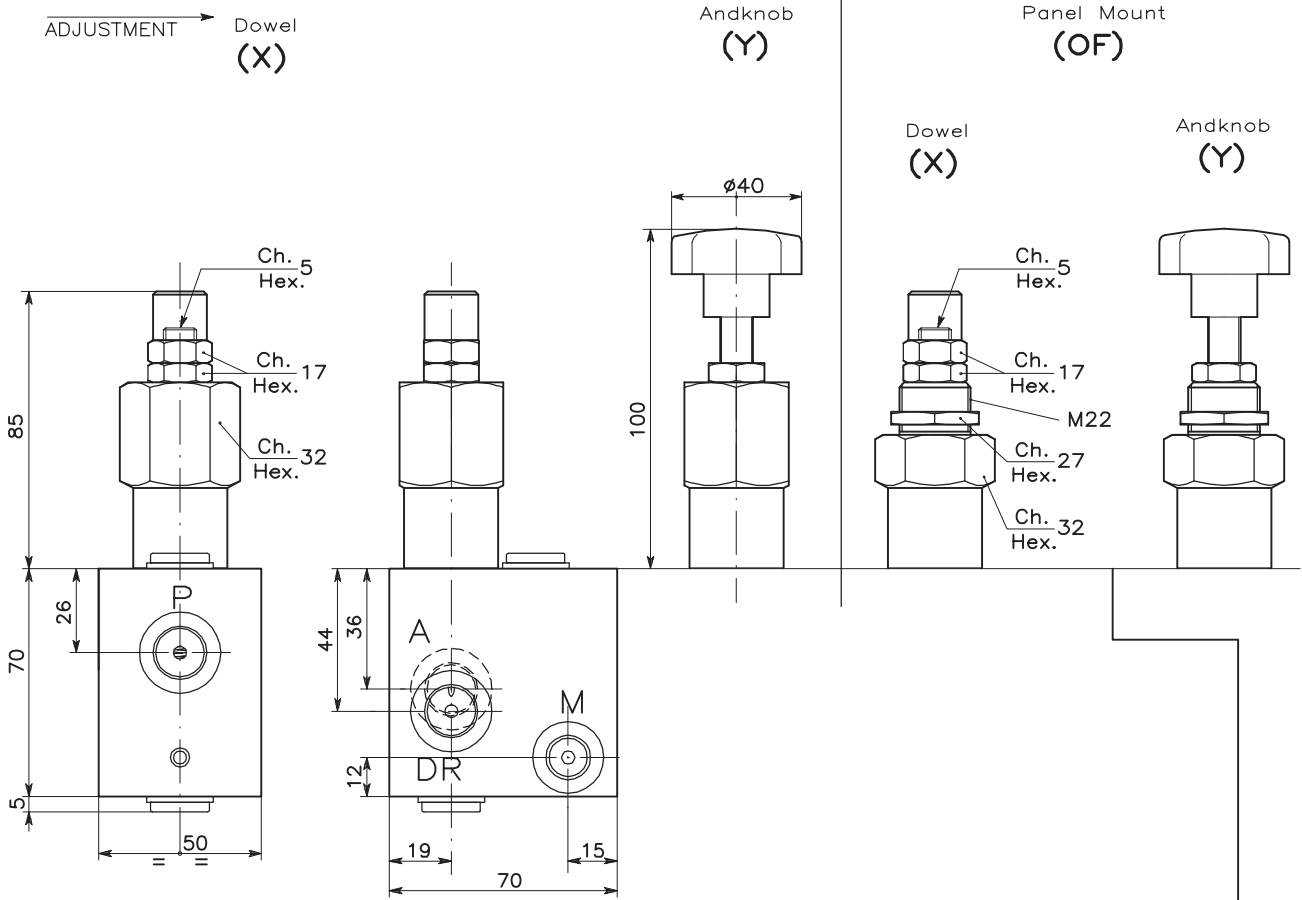


WINMAN Hidrolik Hat Tipi Valfler ve Katriçler/ WINMAN Hydraulic Inline Valves and Cables



VALVE CODE	Port size P-A-DR GAS (BSPP)	Port size M GAS (BSPP)	
		VRP-14-L-△-*	49
VRP-38-L-△-*	50	3/8"	1/4"

TIPI		△	
Setting range 5 ÷ 100 bar (Colour blue)		Setting range 10 ÷ 210 bar (Colour green)	
(Q=5 l/1') Std. bar setting (mode at 5 l/1') 80 bar	Pressure rise turn of screw (--)	(Q=5 l/1') Std. bar setting (mode at 5 l/1') 180 bar	Pressure rise turn of screw (--)
A	B	C	

Adjustment	
*	
Dowel	X
Handknob	Y

2	0	.	0 F
ORDERING CODE			Panel mount only

**WINMAN Hidrolik Hat Tipi Valfler ve Katriçler/ WINMAN Hydraulic Inline Valves and Cables****Teknik Özellikler / Technical Specifications**

DELİK ÖLÇÜSÜ / PORT SIZE				
ADI / DENOMINATION	A	P	DR	M
VRP / 14 - L	1/4"	1/4"	1/4"	1/4"
VRP / 38 - L	3/8"	3/8"	3/8"	1/4"

Max. Çalışma Basıncı Max. Working Pressure	350 bar	Max. Debi Max. Flow	45 l/ min.
-----------------------------------------------	---------	------------------------	------------