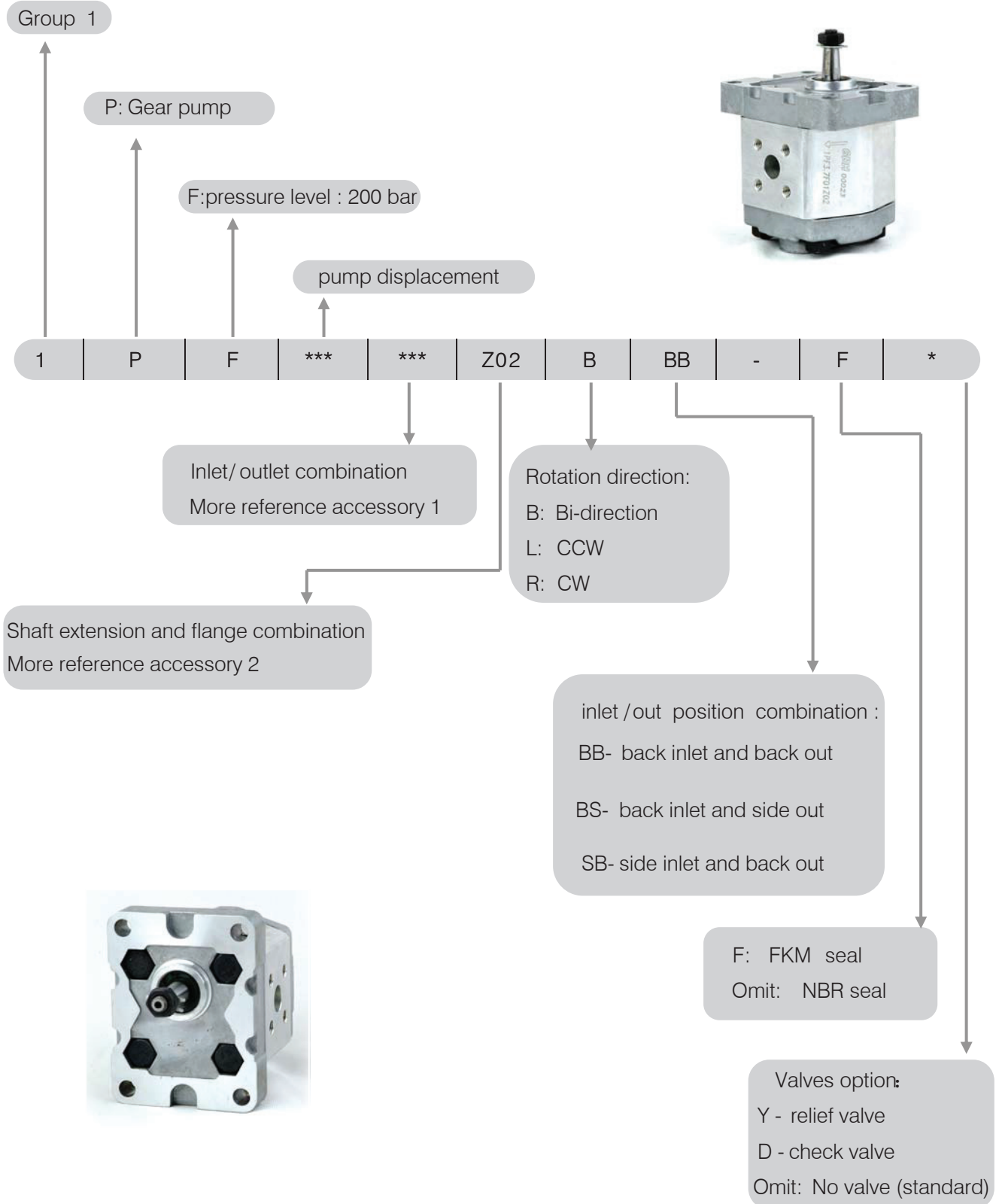


WINMAN 1 PF Series Aluminum Gear Pumps

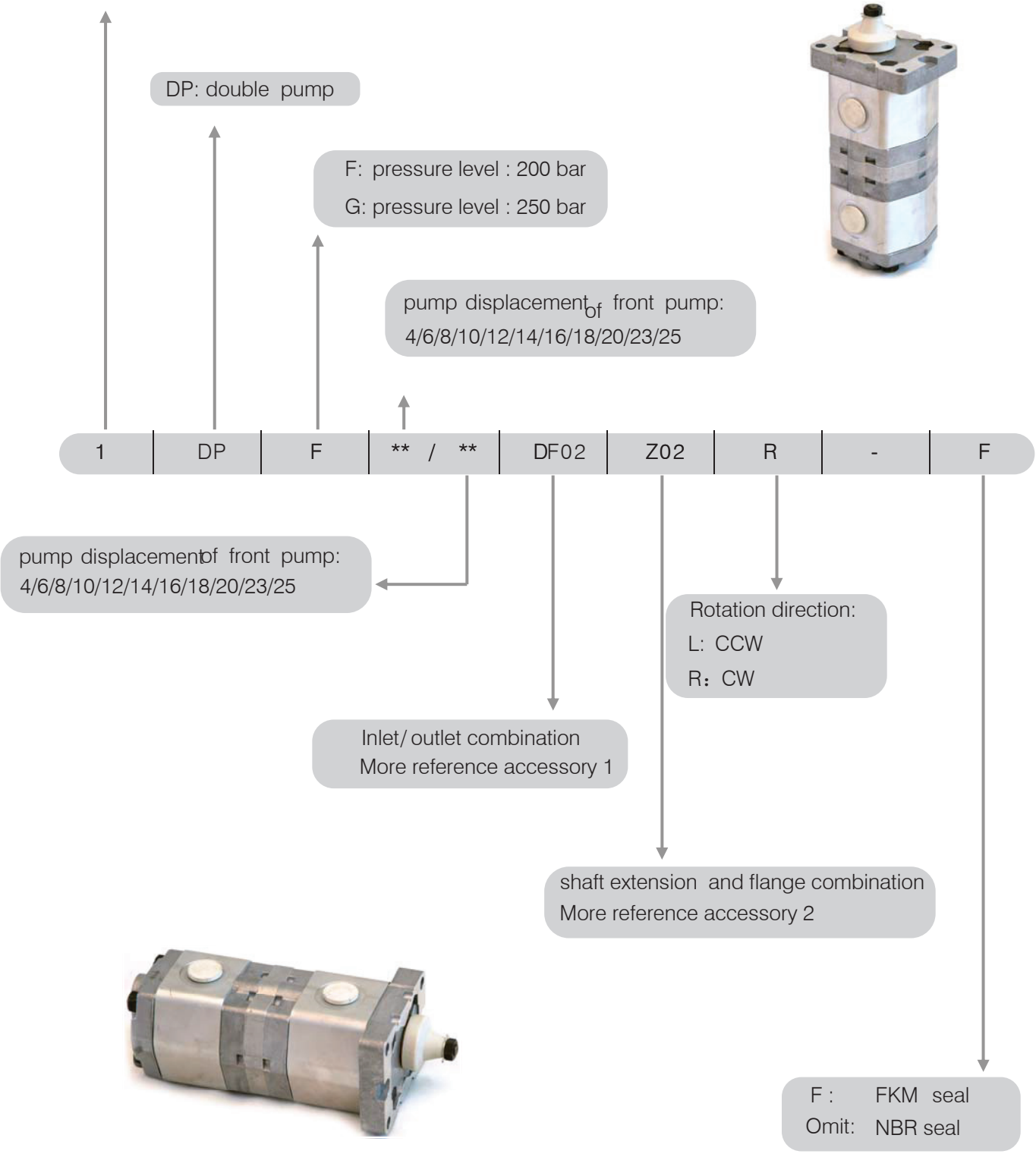
Model Identification



WINMAN 1 PF Series Aluminum Gear Pumps

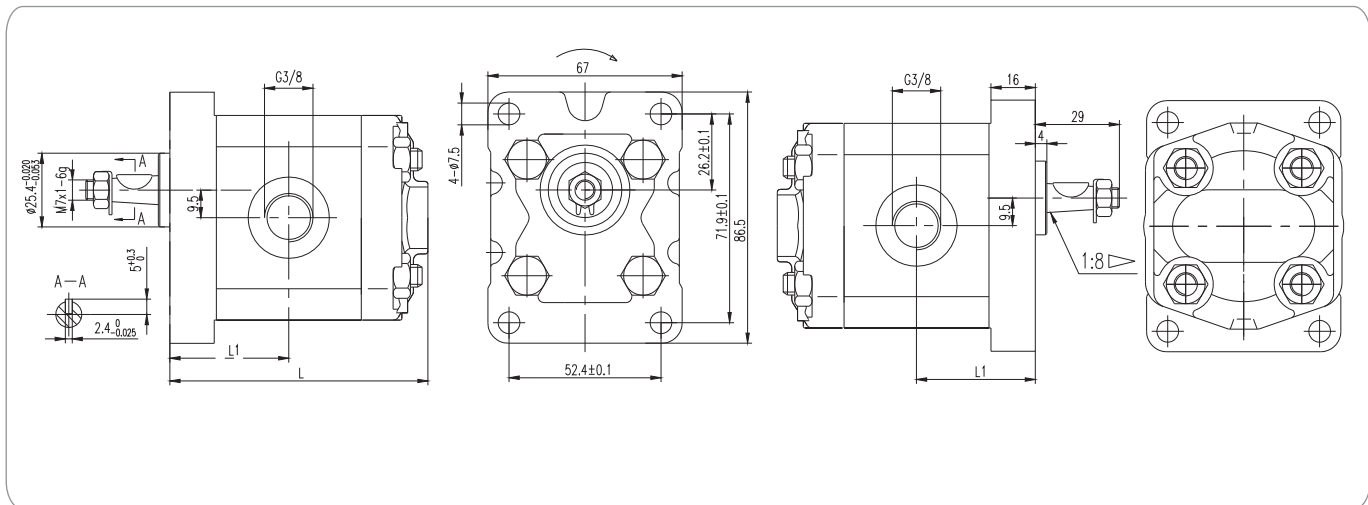
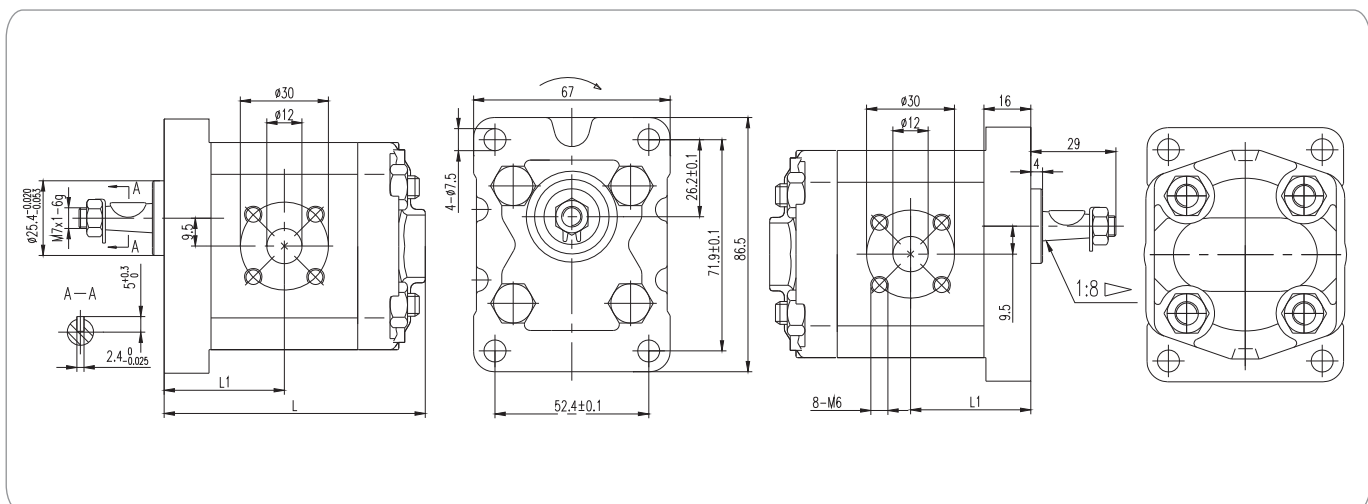
Model Identification

Group 1: Group 1+group double pump



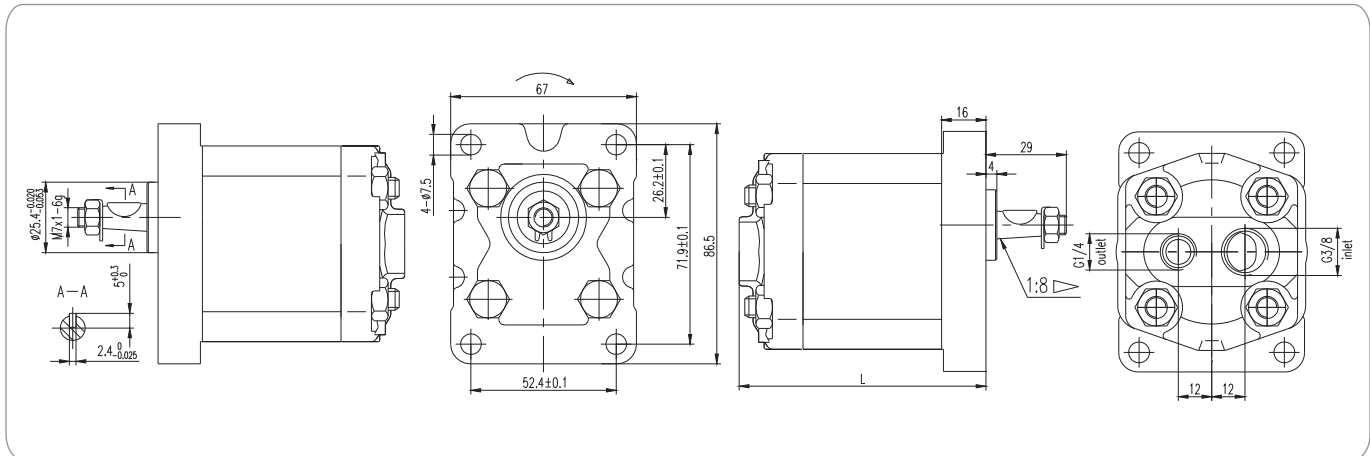
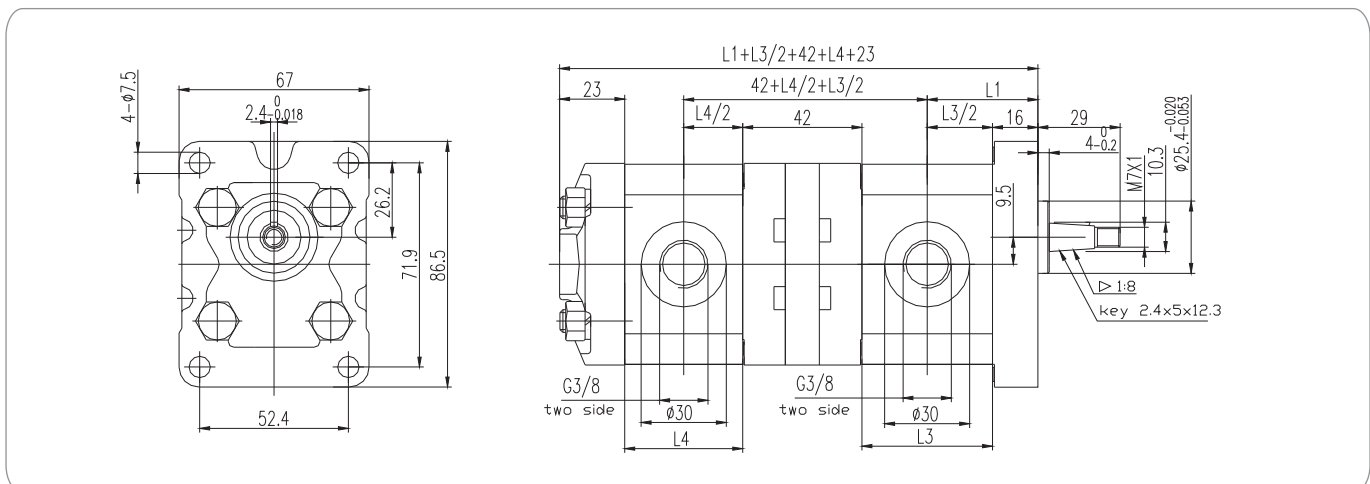
WINMAN 1 PF Series Aluminum Gear Pumps
Specification Dimension

Model	Displacement (ml/r)	Pressur (bar)		Speed (r/min)			L (mm)	L1 (mm)
		Rated	Peak	Rated	Max	Min		
1PF1.1*****Z02**	1.1	200	250	2000	6000	600	75	33
1PF1.3*****Z02**	1.3	200	250	2000	6000	600	76	34
1PF1.6*****Z02**	1.6	200	250	2000	6000	600	78	35
1PF1.8*****Z02**	1.8	200	250	2000	6000	600	78.5	35.5
1PF2.1*****Z02**	2.1	200	250	2000	6000	600	79	36
1PF2.7*****Z02**	2.7	200	250	2000	6000	600	81	37
1PF3.2*****Z02**	3.2	200	250	2000	5000	600	83	38
1PF3.7*****Z02**	3.7	200	250	2000	4500	600	85	39
1PF4.2*****Z02**	4.2	200	250	2000	4000	600	87	40
1PF4.8*****Z02**	4.8	160	200	2000	3500	600	89	41
1PF5.8*****Z02**	5.8	160	200	2000	2900	600	93	43
1PF8.0*****Z02**	8.0	160	200	2000	2100	600	101	47

1 PF*L46Z02SS**

1 PF*F01Z02SS**


WINMAN 1 PF Series Aluminum Gear Pumps
Specification Dimension

Model	Displacement (ml/r)	Pressur (bar)		Speed (r/min)			L (mm)	L1 (mm)
		Rated	Peak	Rated	Max	Min		
1PF1.1*****Z02**	1.1	200	250	2000	6000	600	75	33
1PF1.3*****Z02**	1.3	200	250	2000	6000	600	76	34
1PF1.6*****Z02**	1.6	200	250	2000	6000	600	78	35
1PF1.8*****Z02**	1.8	200	250	2000	6000	600	78.5	35.5
1PF2.1*****Z02**	2.1	200	250	2000	6000	600	79	36
1PF2.7*****Z02**	2.7	200	250	2000	6000	600	81	37
1PF3.2*****Z02**	3.2	200	250	2000	5000	600	83	38
1PF3.7*****Z02**	3.7	200	250	2000	4500	600	85	39
1PF4.2*****Z02**	4.2	200	250	2000	4000	600	87	40
1PF4.8*****Z02**	4.8	160	200	2000	3500	600	89	41
1PF5.8*****Z02**	5.8	160	200	2000	2900	600	93	43
1PF8.0*****Z02**	8.0	160	200	2000	2100	600	101	47

1 PF*L44Z02BB**

1 DPF/**DL**Z02*DOUBLE PUMP / 1 DPF**/**DL**Z02***


Displacement (ml/r)	1.1	1.3	1.6	2.1	2.7	3.2	3.7	4.2	4.8	5.8	8.0
L3 (Front Pump) L4(Rear Pump)	36	37	38	40	42	44	46	48	50	54	62