

WINMAN 0PF POWERPACK POMPASI - 0PFL**B01*****

Ordering Code

0	P	F/G	**	L07	B01	*	SS	*
Group 0	Gear Pump	Pressure (bar)	Displacement (ml/r)	Ports combination	Shaft and flange	Rotation	Ports position	Options
		F 200	0.16	Accessory 1	Accessory 2	L	BF	Y
		G 250	0.25			R	BB	D
			0.38				BS	/
			0.50				SB	
			075				SF	
			1.00				SS	
			1.25					
			1.50					
			1.75					
			2.00					

Rotation	Port position		Port position	
L CCW	BF	Back inlet and front outlet	Y	Relief valve
R CW	BB	Back inlet and front outlet	D	Check valve
	BS	Back inlet and front outlet	/	Omit
	SB	Side inlet and front outlet		
	SF	Side inlet and front outlet		
	SS	Side inlet and front outlet		



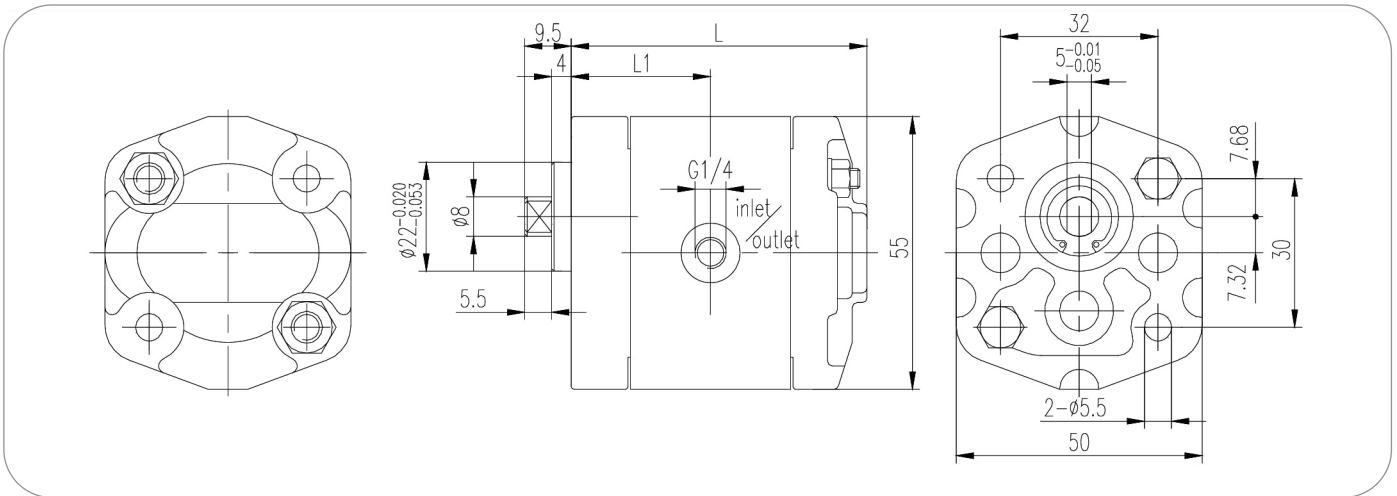
WINMAN 0PF POWERPACK POMPASI - 0PFL**B01*****

Specifications

Model	Displacement (ml/r)	Pressure (bar)		Speed (r/min)			L (min)	SS	Inlet (mm)
		Rated	Peak	Rated	Max	Min		L1 (mm)	
0PF0.16L07B01***	0.16	200	250	2000	6000	800	58.2	30.8	G1/4
0PF0.25L07B01***	0.25	200	250	2000	6000	800	59	31.3	
0PF0.38L07B01***	0.38	200	250	2000	6000	800	60.3	31.9	
0PF0.50L07B01***	0.50	200	250	2000	6000	800	61	32.3	
0PF0.75L07B01***	0.75	200	250	2000	6000	800	63.5	33.5	
0PF1.00L07B01***	1.00	200	250	2000	6000	800	66	34.8	
0PF1.25L07B01***	1.25	200	250	2000	5000	800	68.5	36	
0PF1.50L07B01***	1.50	200	250	2000	4500	800	70	37	
0PF1.75L07B01***	1.75	200	250	2000	4000	800	73	38.3	
0PF2.00L07B01***	2.00	160	200	2000	3500	800	75.5	39.5	

Dimension

0PFL06B01LSS**



0PFL07B01LSS**

