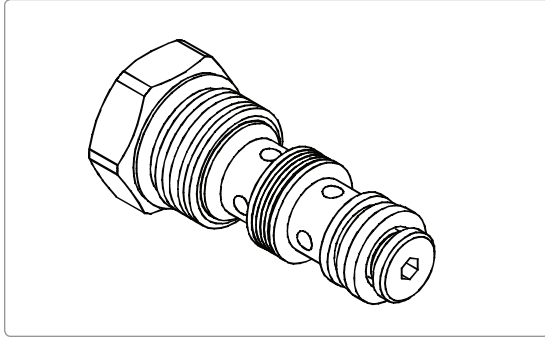


WWLS-08 SERIES CARTRIDGE SHUTTLE VALVES

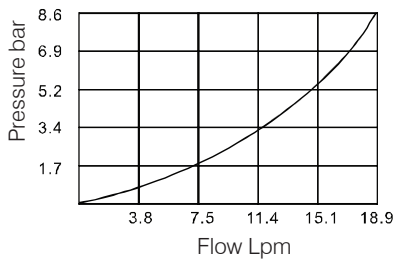


Özellikler / Specification

Model Number	Operating Pressure (bar)	Flow (lpm)	Weight (kg)
WWLS-08	350 (5076 psi)	19 (5.02 gpm)	0.07 (0.15 lbs)
Fluid Type		ISO VG 32, 46, 68	
Viscosity cSt		10~ 400 (59~ 1854 SSU)	
Operating Temperature °C		-15 ~ 70 (-5~ 158 °F)	
Contamination Level		ISO4406.21/19/16 NAS1638,10	

Performance

(Cartridge Only)



Description

Shuttle Valves, cartridge-style hydraulic check valve, for use in blocking circuits where a priority of flow / direction is given to a higher pressure circuit over a lower one. A load - shutting.

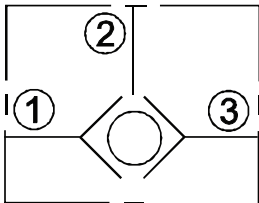
How To Order

1	2
WWLS	08

1 Valve Series
WWLS=Cartridge Shuttle Valves

2 Subplate Mounting Size
Size : 16
Cavity : CS08-3N

Control Ports



Dimensions

