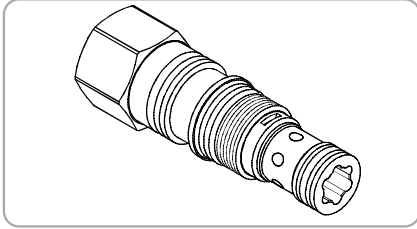
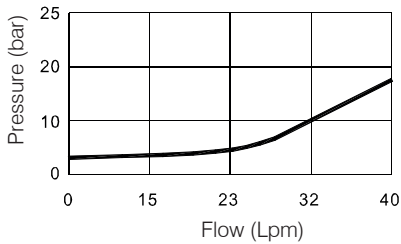


WWCK SERIES CARTRIDGE PILOT OPERATED CHECK VALVES

WWCK- 01 Series



Performance



Specifications

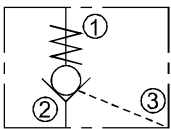
Model Number	Max. Pressure (bar)	Pilot Ratio	Max. Flow (lpm)	Weight (Kg)
WWCK-01	350 (5076 psi)	3:1 / 4:1	30(7.92 gpm)	0.13(0.29 lbs)
Fluid Type		ISO VG 32, 46, 68		
Viscosity cSt		10~400 (59~1854 SSU)		
Operating Temperature		-15~70 (-5~158°F)		
Contamination Level		ISO4406.21/19/16 NAS1638,10		

How To Order

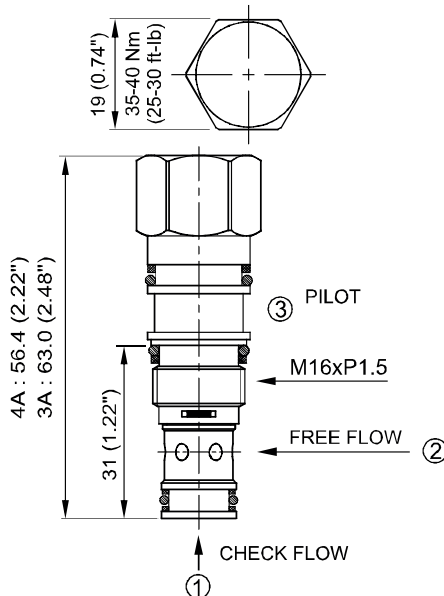
1
2
3
4
WWCK 01 - 3A - 20

- 1 Valve Series**
WWCK=Cartridge Pilot Operated Check Valves
- 2 Subplate Mounting Size**
01 :T-163A Cavity :CST-163A
- 3 Pilot Ratio**
3A : 3 : 1
4A : 4 : 1
- 4 Bias Spring**
20 : 2 bar(29psi)
35 : 3.5 bar(51psi)

Control Port (S)

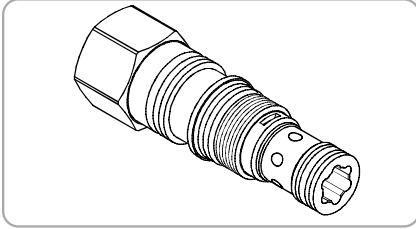


Dimensions

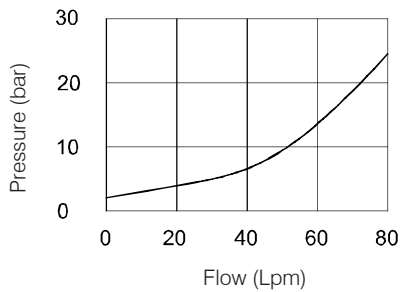


WWCK SERIES CARTRIDGE PILOT OPERATED CHECK VALVES

WWCK- 02 Series



Performance



Specifications

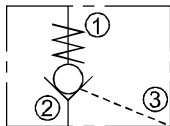
Model Number	Max. Pressure (bar)	Pilot Ratio	Max. Flow (lpm)	Weight (Kg)
WWCK-02	350 (5076 psi)	3:1 / 5:1	60(15.85 gpm)	0.13(0.29 lbs)
Fluid Type		ISO VG 32, 46, 68		
Viscosity cSt		10~400 (59~1854 SSU)		
Operating Temperature		-15~70 (-5~158°F)		
Contamination Level		ISO4406.21/19/16 NAS1638,10		

How To Order

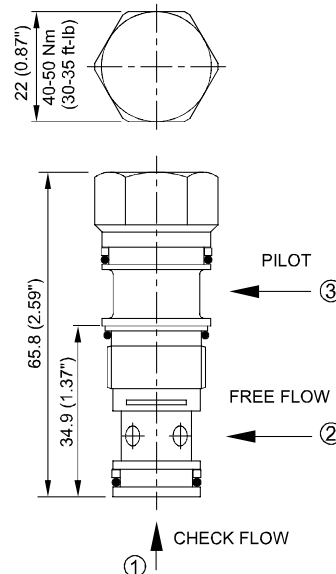
1	2	3
WWCK	02	- 3A

- 1 Valve Series**
WWCK=Cartridge Pilot Operated Check Valves
- 2 Subplate Mounting Size**
02 :T-11A Cavity :CST-11A
- 3 Pilot Ratio**
3A : 3:1
5A : 5:1

Control Port (S)

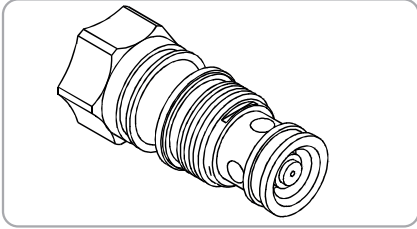


Dimensions

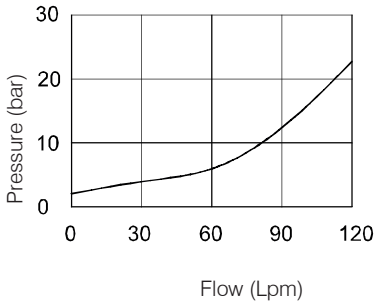


WWCK SERIES CARTRIDGE PILOT OPERATED CHECK VALVES

WWCK- 03 Series



Performance



Specifications

Model Number	Max. Pressure (bar)	Pilot Ratio	Max. Flow (lpm)	Weight (Kg)
WWCK-02	350 (5076 psi)	3:1	120(31.7 gpm)	0.23(0.51 lbs)
Fluid Type		ISO VG 32, 46, 68		
Viscosity cSt		10~400 (59~1854 SSU)		
Operating Temperature		-15~70 (-5~158°F)		
Contamination Level		ISO4406.21/19/16 NAS1638,10		

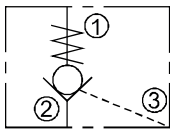
How To Order

1
2
3
WWCK 02 - 3A

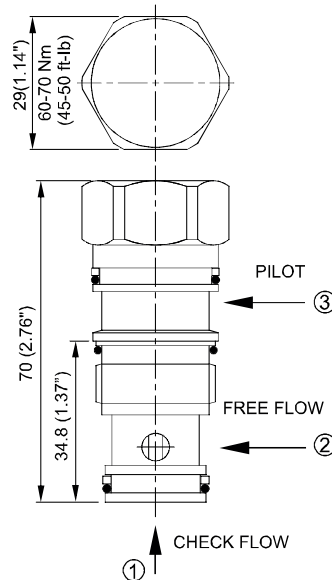
1 Valve Series
 WWCK=Cartridge Pilot Operated
 Check Valves

2 Subplate Mounting Size
 03 :T-2A Cavity :CST - A

Control Port (S)

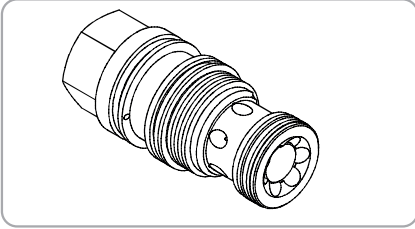


Dimensions

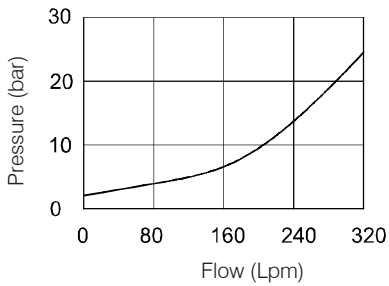


WWCK SERIES CARTRIDGE PILOT OPERATED CHECK VALVES

WWCK- 06 Series



Performance



Specifications

Model Number	Max. Pressure (bar)	Pilot Ratio	Max. Flow (lpm)	Weight (Kg)
WWCK-06	350 (5076 psi)	3:1	200(52.83 gpm)	0.53(1.18 lbs)
Fluid Type		ISO VG 32, 46, 68		
Viscosity cSt		10~400 (59~1854 SSU)		
Operating Temperature		-15~70 (-5~158°F)		
Contamination Level		ISO4406.21/19/16 NAS1638,10		

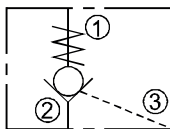
How To Order

1 **2**
WWCK 06

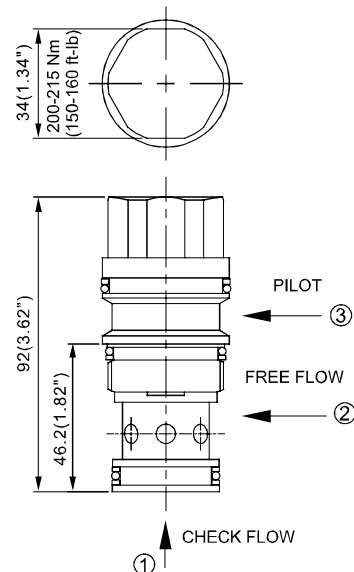
1 **Valve Series**
WWCK=Cartridge Pilot Operated
Check Valves

2 **Porting**
06 :T-17A Cavity :CST-17A

Control Port (S)

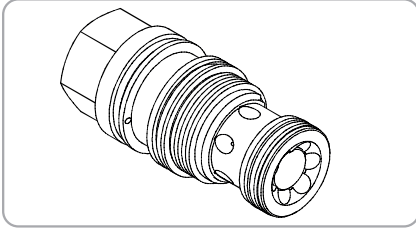


Dimensions

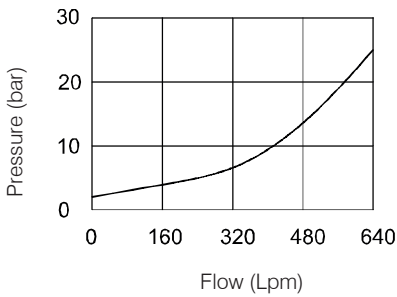


WWCK SERIES CARTRIDGE PILOT OPERATED CHECK VALVES

WWCK- 10 Series



Performance



Specifications

Model Number	Max. Pressure (bar)	Pilot Ratio	Max. Flow (lpm)	Weight (Kg)
WWCK-10	350 (5076 psi)	3:1	460(15.85 gpm)	0.18(2.61 lbs)
Fluid Type		ISO VG 32, 46, 68		
Viscosity cSt		10~400 (59~1854 SSU)		
Operating Temperature		-15~70 (-5~158°F)		
Contamination Level		ISO4406.21/19/16 NAS1638,10		

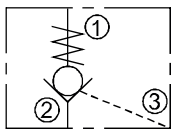
How To Order

1	2
WWCK	10

1 Valve Series
 WWCK=Cartridge Pilot Operated
 Check Valves

2 Subplate Mounting Size
 10 :T-19A Cavity :CST-19A

Control Port (S)



Dimensions

