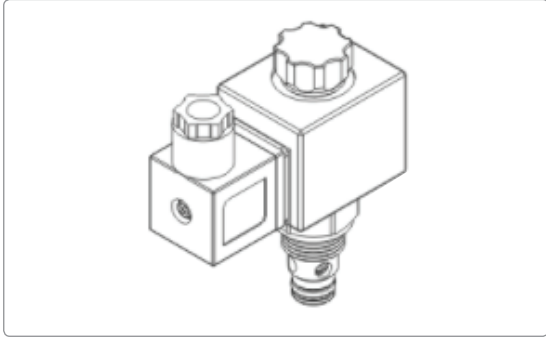


WINMAN WWSV08 SERIES CARTRIDGE TYPE SOLENOID OPERATED CHECK VALVES

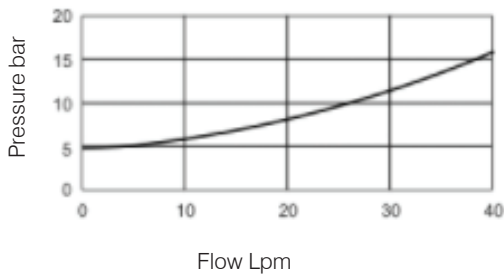


Özellikler / Specification

Model Number	Max. Pressure (bar)	Max. Flow (lpm)	Weight (kg)
WWSV08	350 (5076 psi)	40 (10.57 gpm)	0.45(0.99 lbs)
Fluid Type	ISO VG 32, 46, 68		
Viscosity cSt	10~ 400 (59~ 1854 SSU)		
Operating Temperature °C	-15 ~ 70 (-5~ 158 °F)		
Contamination Level	ISO4406.21/19/16 NAS1638,10		

Performance

Pressure Drop



How To Order

1	2	3	4	5	6
WWSV	08	— 28	— A2	— X	— Y

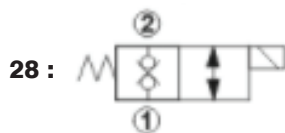
1 VALVE SERIES

WWSV: Cartridge Type Solenoid Operated Check Valves

2 SUBPLATE MOUNTING SIZE

Size: 08
Cavity □ : CS08-2N
See Page Appendix-A_001

3 CONTROL PORT(S)



4 TYPE OF COIL

Non: Without Coil

A1 : RAC110V 60/50HZ **D1 :** DC12V
A2 : RAC220V 60/50 HZ **D2 :** DC24V

4 WIRING TYPE

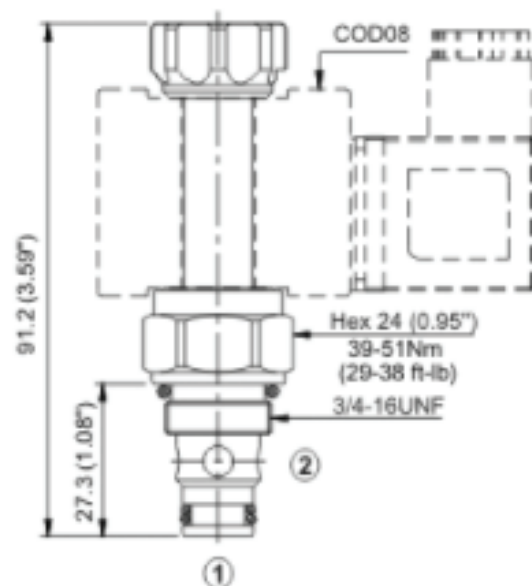
Non: WIRING BOX TYPE (DIN) **X :** DOUBLE LEAD



Adjustment Option

Non Non: Standard		Z Z: Cable Operated Pull Style Override	
Y Y: Twist Style Manual Override		P P: Hand Operated Pull Style Override	

Dimensions



*For more technical information of wiring type please refer to the appendixes-D or contact with us.