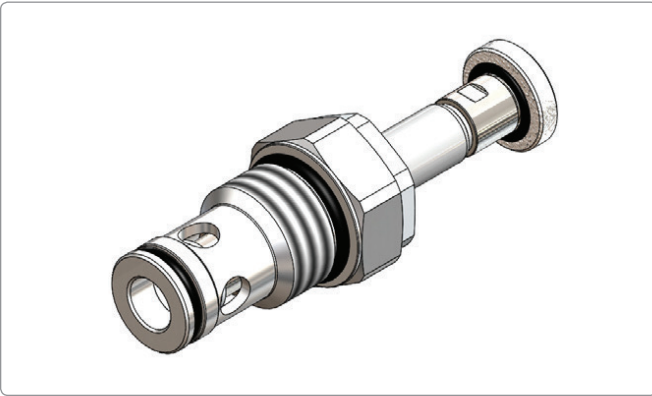
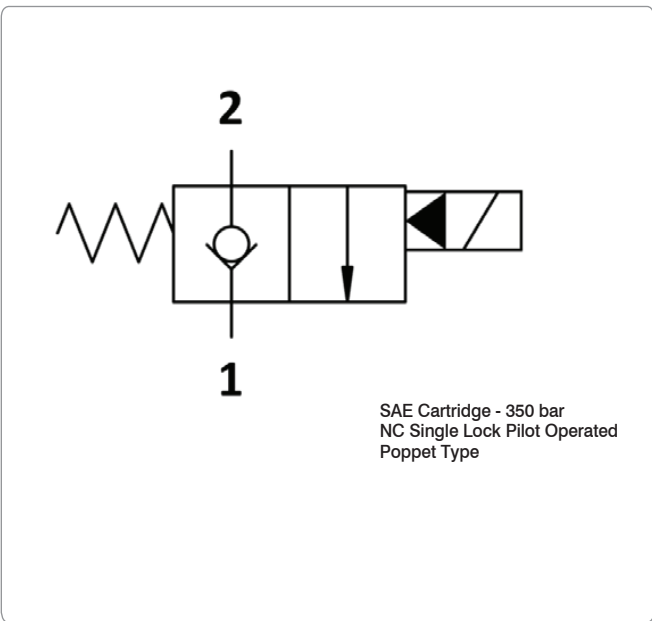
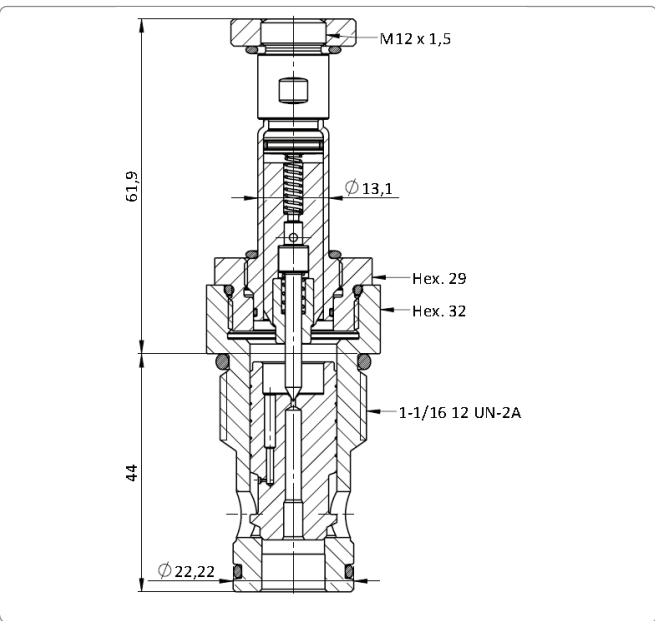
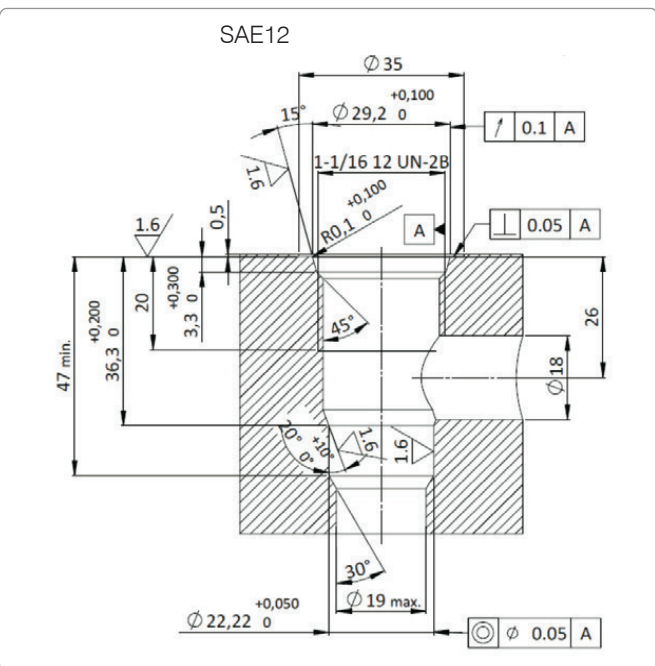


**WINMAN WVS0.S12 Valf Serisi / WVS0.S12 Valve Series**

**Açıklama / Description**

Solenoid operated, 2-way 2-positions, normally closed, piloted poppet type, screw-in cartridge valve. Typically used as a blocking or load holding device for high pressure circuits. When the coil is de-energized, the WVS0.S12 acts as check valve allowing free flow from 1 to 2, while blocking from 2 to 1. When the coil is energized the poppet lifts and opens the 2 to 1 flow path. In this operation mode, flow from 1 to 2 is severely restricted. The rigid design using a 1-piece body contributes to minimize the effect of eccentricities in cavity and provides great reliability. Low pressure drop thanks to optimized flow path.

**Sembol / Symbol**

**Enine Kesit / Cross Section**

**Teknik Özellikler / Technical Features**

All external surfaces are zinc plated and corrosion-proof.  
All valve parts are made of high strength steel. Poppet is hardened and ground to ensure minimal wear and extended service life.  
Coil seals protect the solenoid system.  
Manual override options. Industry SAE common cavity.

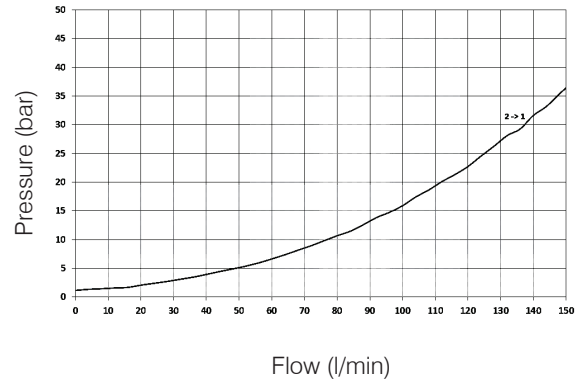
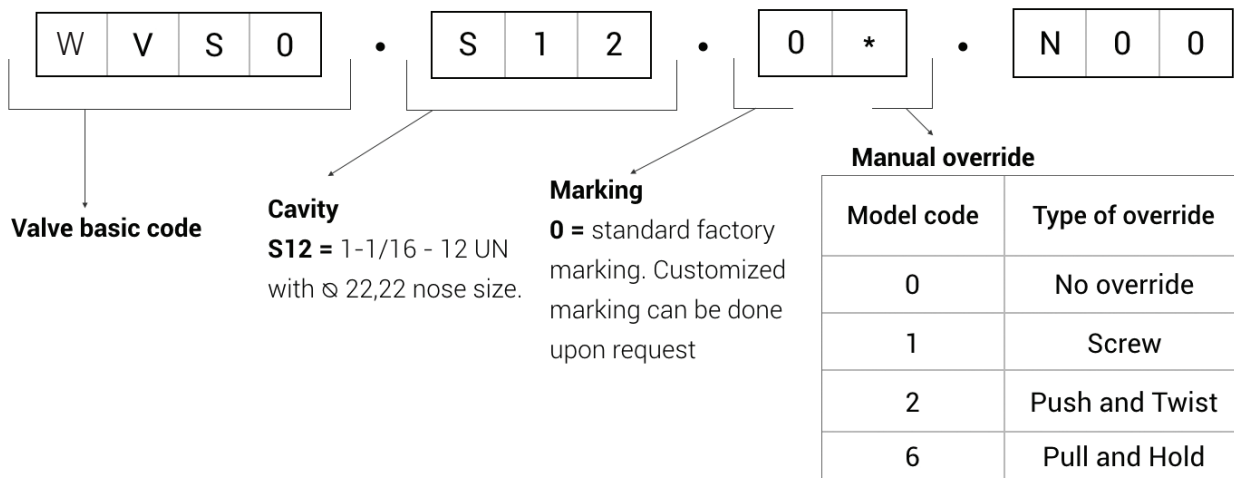
**Boşluk Detayları / Cavity Details**


**WINMAN WVS0.S12 Valf Serisi / WVS0.S12 Valve Series**
**Teknik Veri / Technical Data**

Maximum operating pressure	350 bar
Maximum flow	150 l/min
Maximum internal leakage	0,25 cm <sup>3</sup> /min @ 350 bar
External component treatment	Zn/Fe - standard (96h) Zn/Ni (720h)
Switch ON Time	40 ms
Switch OFF Time	90 ms
O-ring Temperature Range	-30° C to 110° C (standard sealing NBR - BUNA-N)
Oil Temperature Range	-30° C to 110° C
Fluids	Mineral - based or synthetics with lubricating properties
Viscosities	7,4 to 420 cSt
Minimum pull-in voltage	85% of nominal
Filtration	20/18/15 ISO 4406 (maximum filtration admitted)
Orientation	No restrictions
Installation torque	85-95 (Hex. 32)
Technical specifications for characterization	See page X
Oil testing condition	ISO VG 46 cSt
Seal kit code	SK.077 and SK.027 (coil)
Coil	22W (for more details see page ada)
Weight	0,254 kg

**Performans Detayları / Performance Details**

Note: The performance chart illustrates flow handling capacity 2 to 1 (energized). P/Q curves are recorded at TOil = 40°C and 46 cSt.


**Sipariş Kodu / Ordering Code**


Note: All Solenoid cartridge valves listed in the present catalogue are designed to work with D.C. power supply. To work with A.C. power supply, a RAC coil and connector with rectifier must be used. For any additional information, please contact your Sales contact representative.