

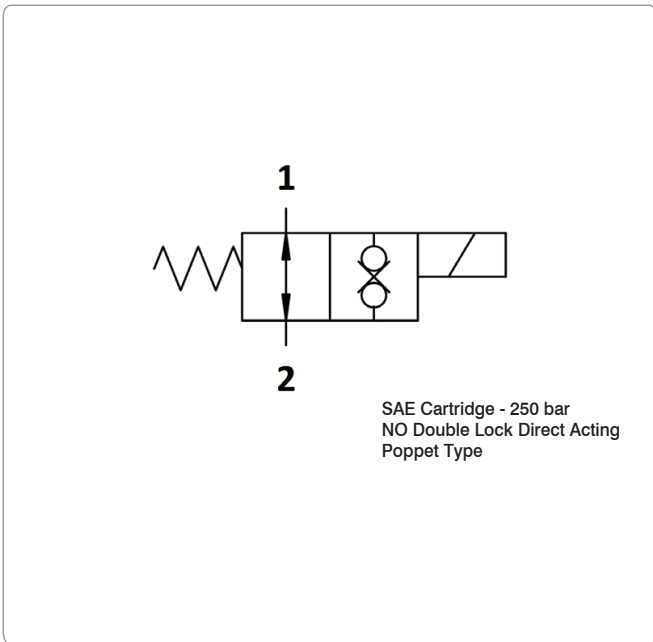
WINMAN WVE0.S08 Serisi Solenoid Valfler / WVE0.S08 Series Solenoid Valves



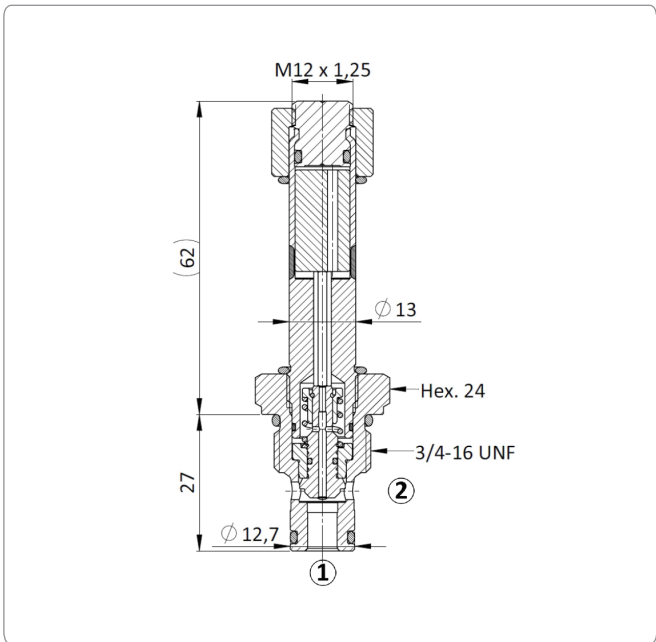
**Açıklama / Description**

Solenoid operated, 2-way 2-positions, normally open, direct acting poppet type, bi-directional blocking, screw-in cartridge valve. Special design for low leakage in load holding applications. When the coil is de-energized, the WVE0.S08 allows flow in both directions. Once the coil is energized, the valve closes blocking flow from 1 to 2 and from 2 to 1. The rigid design using a 1-piece body contributes to minimize the effect of eccentricities in cavity and provides great reliability. Low pressure drop thanks to optimized flow path.

**Sembol / Symbol**



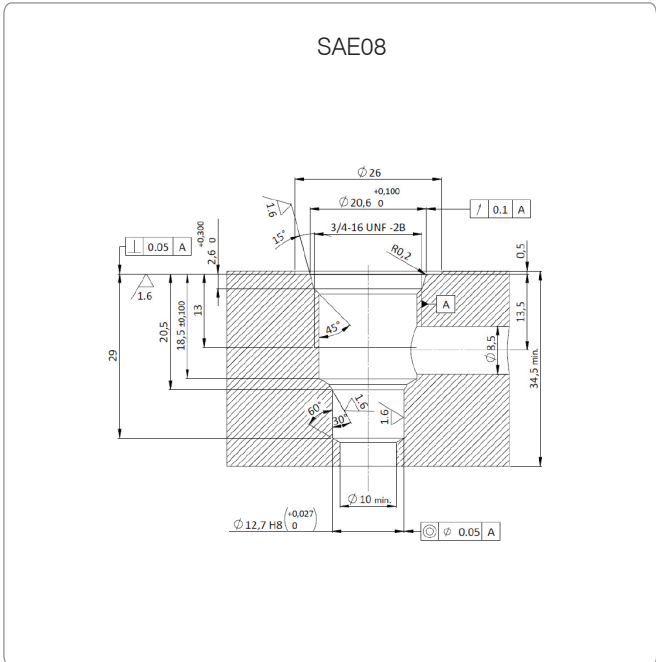
**Enine Kesit / Cross Section**



**Teknik Özellikler / Technical Features**

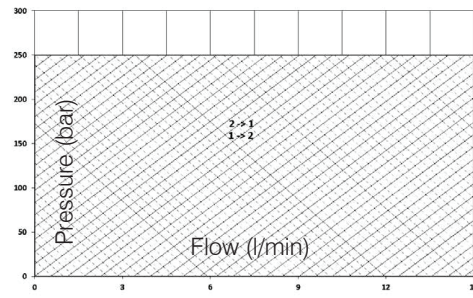
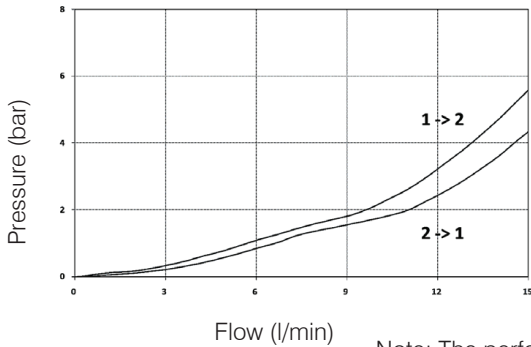
All external surfaces are zinc plated and corrosion-proof.  
All valve parts are made of high strength steel. Poppet is hardened and ground to ensure minimal wear and extended service life. Coil seals protect the solenoid system.  
Manual override option.  
Industry SAE common cavity.

**Boşluk Detayları / Cavity Details**

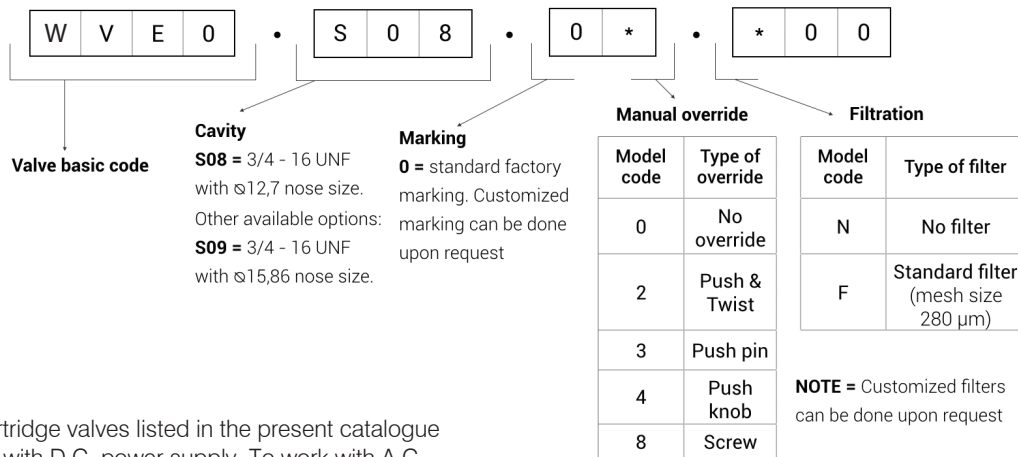


**WINMAN WVE0.S08 Serisi Solenoid Valfler / WVE0.S08 Series Solenoid Valves**
**Teknik Veri / Technical Data**

|   |   |
|---|---|
| Maximum operating pressure                    | 250 bar   |
| Maximum flow                                  | 15 l/min  |
| Maximum internal leakage                      | 0,25 cm <sup>3</sup> /min @ 250 bar                       |
| External component treatment                  | Zn/Fe - standard (96h)<br>Zn/Ni (720h)                    |
| Switch ON Time                                | 35 ms   |
| Switch OFF Time                               | 80 ms   |
| O-ring Temperature Range                      | -30° C to 110° C (standard sealing NBR - BUNA-N)          |
| Oil Temperature Range                         | -30° C to 110° C  |
| Fluids  | Mineral - based or synthetics with lubricating properties |
| Viscosities                                   | 7,4 to 420 cSt  |
| Minimum pull-in voltage                       | 85% of nominal  |
| Filtration                                    | 20/18/15 ISO 4406 (maximum filtration admitted)           |
| Orientation                                   | No restrictions   |
| Installation torque                           | 40 -45 Nm (Hex. 24)                                       |
| Technical specifications for characterization | See page X  |
| Oil testing condition                         | ISO VG 46 cSt   |
| Seal kit code                                 | SK.003 and SK.027 (coil)                                  |
| Coil  | 22W (for more details see page X)                         |
| Weight  | 0,125 kg  |

**Performans Detayları / Performance Details**


Note: The performance chart illustrates flow handling capacity in both directions (1 to 2 and 2 to 1). p/Q curves are recorded at TOil = 40°C and 46 cSt.

**Sipariş Kodu / Ordering Code**


Note: All Solenoid cartridge valves listed in the present catalogue are designed to work with D.C. power supply. To work with A.C. power supply, a RAC coil and connector with rectifier must be used. For any additional information, please contact your Sales contact representative.