

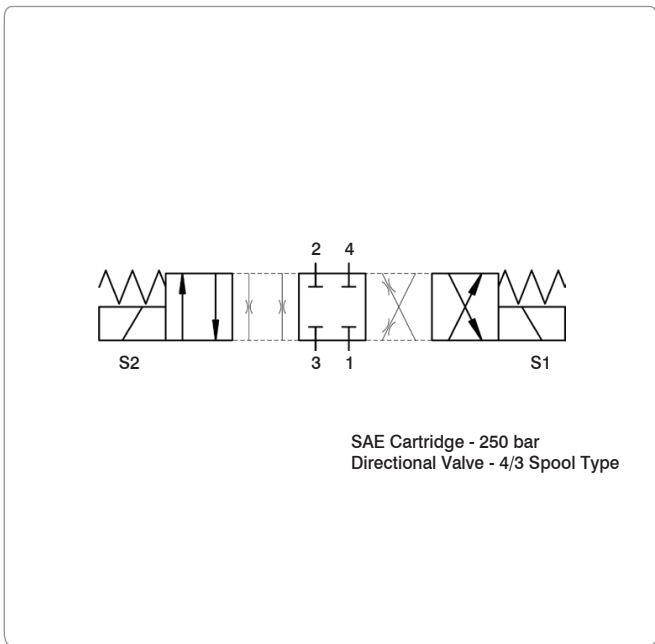
WINMAN WVB0.S08.A Serisi 4/3 Solenoid Valfler / WVB0.S08.A Series 4/3 Solenoid Valves



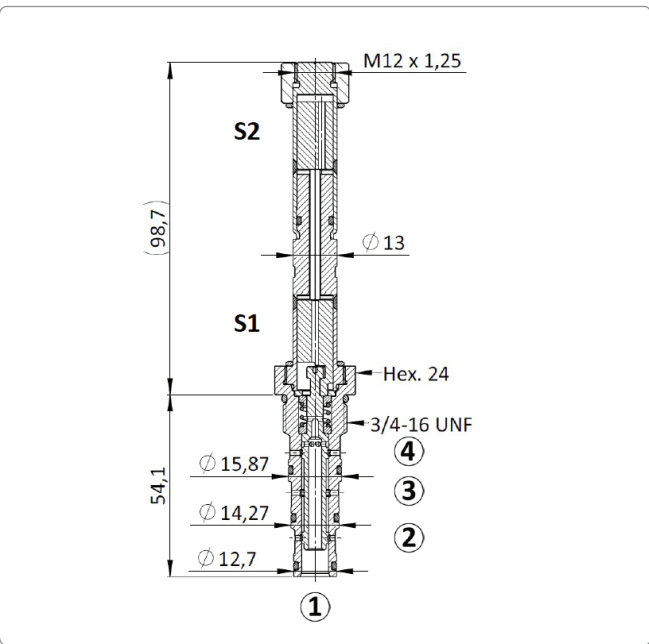
**Açıklama / Description**

A Solenoid operated, 4 way 3 positions, spool type, direct acting, screw-in hydraulic directional cartridge valve. In the de-energized mode the WVB0.S08 blocks flow to all ports. When coil S1 (lower coil) is energized flow is allowed from 3 to 4 and from 2 to 1. When coil S2 (upper coil) is energized flow is allowed from 3 to 2 and from 4 to 1. The rigid design using a 1-piece body contributes to minimize the effect of eccentricities in cavity and provides great reliability. Low pressure drop thanks to optimized flow paths.

**Sembol / Symbol**



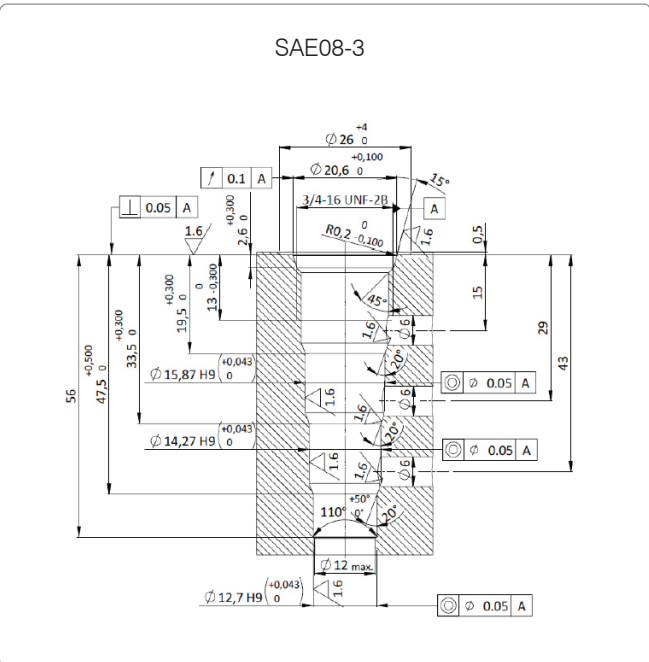
**Enine Kesit / Cross Section**



**Teknik Özellikler / Technical Features**

All external surfaces are zinc plated and corrosion-proof.  
All valve parts are made of high strength steel.  
Spool and cage are hardened and super-finished to ensure minimal wear and extended service life. Coil seals protect the solenoid system.  
Industry SAE common cavity.

**Boşluk Detayları / Cavity Details**



## WINMAN WVB0.S08.A Serisi 4/3 Solenoid Valfler / WVB0.S08.A Series 4/3 Solenoid Valves

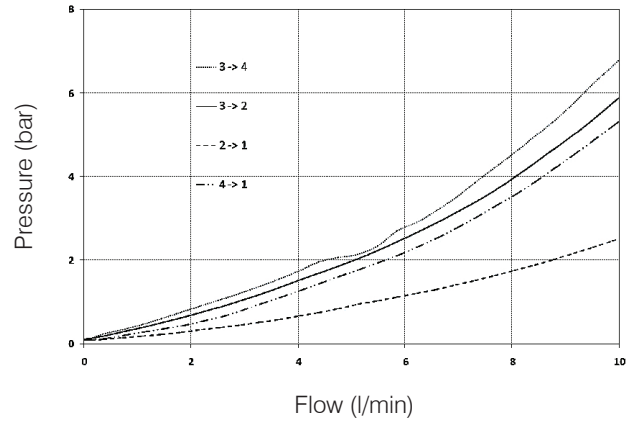
## Teknik Veri / Technical Data

Maximum operating pressure	250 bar
Maximum flow	10 l/min
Maximum internal leakage	120 cm <sup>3</sup> /min @ 250 bar
External component treatment	Zn/Fe - standard (96h) Zn/Ni (720h)
O-ring Temperature Range	-30° C to 110° C (standard sealing NBR - BUNA-N)
Oil Temperature Range	-30° C to 110° C
Fluids	Mineral - based or synthetics with lubricating properties
Viscosities	7,4 to 420 cSt
Minimum pull-in voltage	85% of nominal
Filtration	20/18/15 ISO 4406 (maximum filtration admitted)
Orientation	No restrictions
Installation torque	40 -45 Nm (Hex. 24)
Technical specifications for characterization	See page X
Oil testing condition	ISO VG 46 cSt
Seal kit code	SK.065 and SK.027 (one for each coil)
Coil	18W (for more details see page X)
Weight	0,183 kg

## Performans Detayları / Performance Details

Note: The performance chart illustrates flow handling capacity 3 to 4 and 2 to 1 (energized S1) and 3 to 2 and 4 to 1 (energized S2) p/Q curves are recorded at TOil = 40°C and 46 cSt.

Note: All Solenoid cartridge valves listed in the present catalogue are designed to work with D.C. power supply. To work with A.C. power supply, a RAC coil and connector with rectifier must be used. For any additional information, please contact your Sales contact representative.



## Sipariş Kodu / Ordering Code

