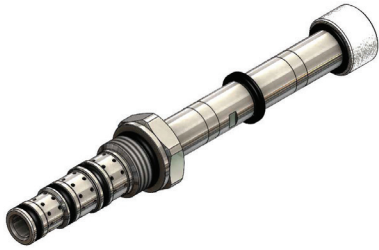
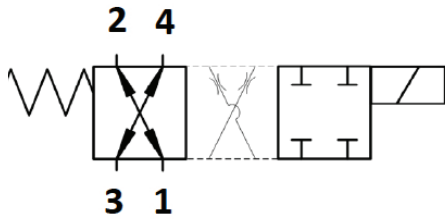
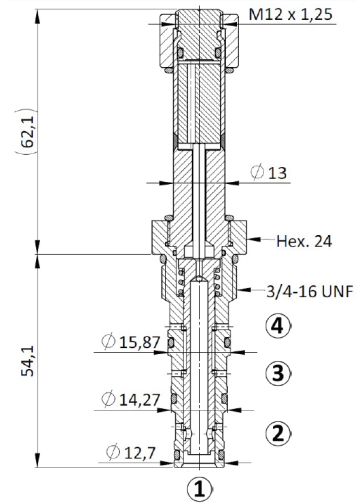


WINMAN WVA0.S08.C Serisi 4/2 Solenoid Valfler / WVA0.S08.C Series 4/2 Solenoid Valves**Açıklama / Description**

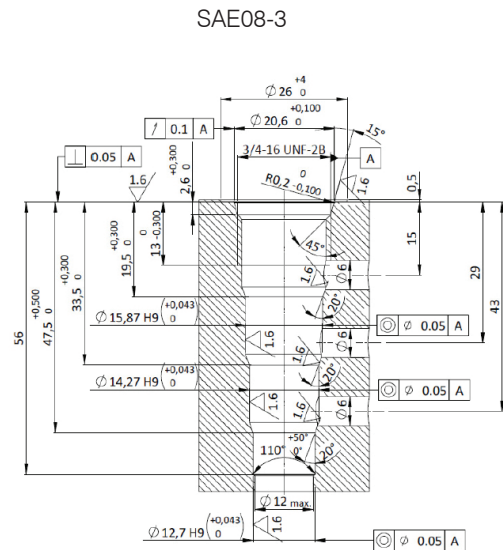
A solenoid-operated, 4-way, 2-position, spool-type, direct-acting, screw-in hydraulic cartridge valve. In the de-energized mode the WVA0.S08 flow paths are 1 to 2 and 3 to 4. In the energized mode the WVA0.S08 blocks flow at all ports. The rigid design using a 1-piece body contributes to minimize the effect of eccentricities in cavity and provides great reliability. Low pressure drop thanks to optimized paths.

Sembol / Symbol

SAE Cartridge - 250 bar
Directional Valve - 4/2 Spool Type

Enine Kesit / Cross Section**Teknik Özellikler / Technical Features**

All external surfaces are zinc plated and corrosion-proof.
All valve parts are made of high strength steel.
Spool and cage are hardened and super-finished to ensure minimal wear and extended service life. Coil seals protect the solenoid system. Industry SAE common cavity.

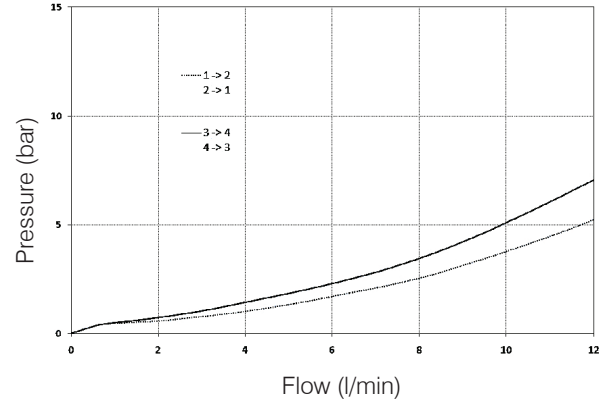
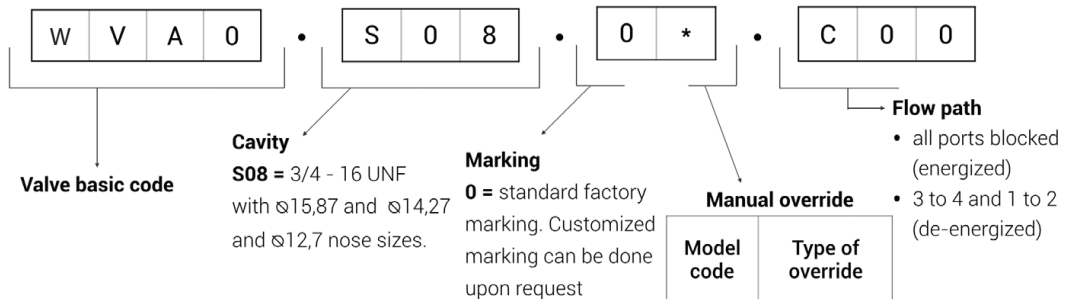
Boşluk Detayları / Cavity Details

WINMAN WVA0.S08.C Serisi 4/2 Solenoid Valfler / WVA0.S08.C Series 4/2 Solenoid Valves
Teknik Veri / Technical Data

Maximum operating pressure	250 bar
Maximum flow	12 l/min
Maximum internal leakage	150 cm ³ /min @ 250 bar
External component treatment	Zn/Fe - standard (96h) Zn/Ni (720h)
O-ring Temperature Range	-30° C to 110° C (standard sealing NBR - BUNA-N)
Oil Temperature Range	-30° C to 110° C
Fluids	Mineral - based or synthetics with lubricating properties
Viscosities	7,4 to 420 cSt
Minimum pull-in voltage	85% of nominal
Filtration	20/18/15 ISO 4406 (maximum filtration admitted)
Orientation	No restrictions
Installation torque	25 -30 Nm (Hex. 24)
Technical specifications for characterization	See page X
Oil testing condition	ISO VG 46 cSt
Seal kit code	SK.065 and SK.027 (coil)
Coil	22W (for more details see page X)
Weight	0,160 kg

Performans Detayları / Performance Details

Note: the performance chart illustrates flow handling capacity in all possible directions (de-energized). p/Q curves are recorded at TOil = 40°C and 46 cSt.


Sipariş Kodu / Ordering Code


Note: All Solenoid cartridge valves listed in the present catalogue are designed to work with D.C. power supply. To work with A.C. power supply, a RAC coil and connector with rectifier must be used. For any additional information, please contact your Sales contact representative.