

WINMAN SOLENOID VALVES

WSVC.S08 Valve Series



SAE Cartridge - 250 bar
Directional Valve - 3/2 Seated type

Description

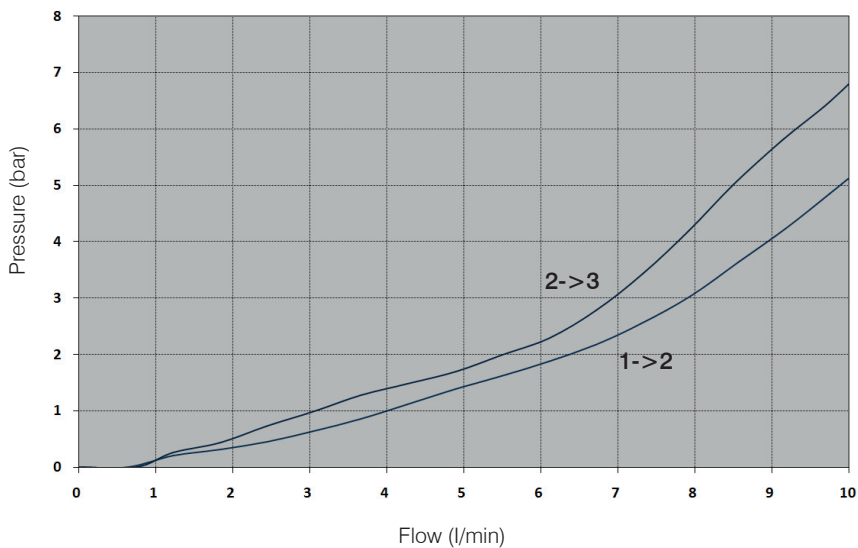
A Solenoid operated, 3 way 2 positions, seated type, direct acting, screw-in hydraulic directional cartridge valve.
In the de-energized mode, the SVC0.S08 allows flow bidirectionally between ports 2 and 3, while blocking flow at 1. In this stage the leakage on port 1 is very limited.
In the energized mode, bidirectional flow is allowed between ports 1 and 2, while flow is blocked at 3 with a low leakage.
The rigid design using a 1-piece body contributes to minimize the effect of eccentricities in cavity and provides great reliability.
Low pressure drop thanks to optimized flow path.

Technical Features

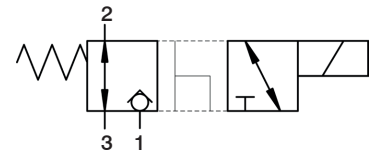
All external surfaces are zinc plated and corrosion-proof.
All valve parts are made of high strength steel.
Poppet is hardened and micron finished to ensure minimal wear and extended service life.
Coil seals protect the solenoid system.
Manual override option.
Industry SAE common cavity.

Performance Details

Note : For information about operating limits, please contact the factory.



Symbols

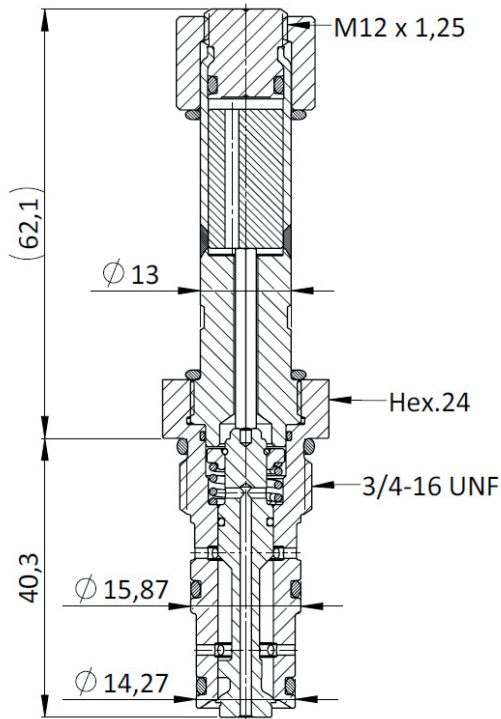


Technical Data

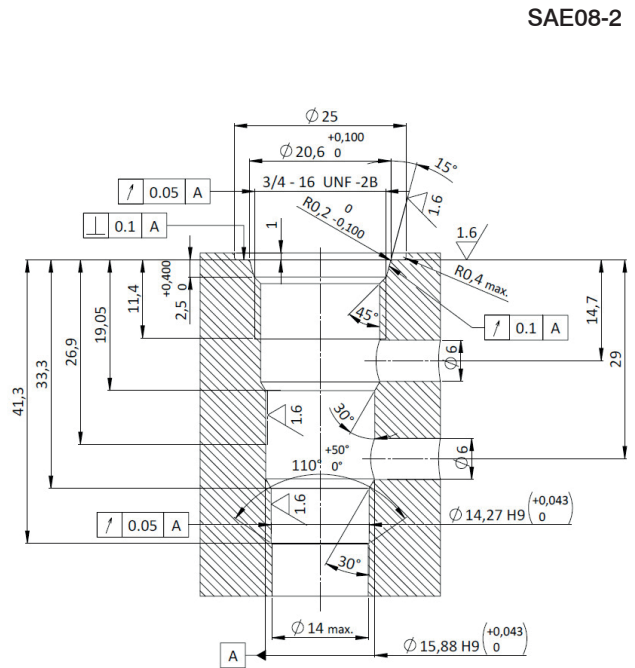
Maximum operating pressure: 250 bar
 Maximum flow: 10 l/min
 Leakage on port 1: max 5 drops/min @ 250 bar
 Leakage: max 85 cm³/min @ 250 bar
 Temperature: -30°C to 110°C
 Fluids: Mineral-based or synthetics with lubricating properties at viscosities of 7.4 to 420 cSt
 Minimum pull-in voltage: 85% of nominal
 Orientation: no restrictions
 Installation torque: 35-40 Nm
 Seal kit code: SK.035 and SK.027 (coil)
 Weight: 0.140 kg
 NOTE: The performance chart illustrates flow handling capacity 2 to 3 (de-en) and 1 to 2 (en). P/Q curves are recorded at TOil = 40°C and 46 cSt

WINMAN SOLENOID VALVES

Cross Section



Cavity Details



SAE08-2

Ordering Code

W S V C • S 0 8 • 0 * • 2 0 0

Valve basic code

Cavity

S08 = 3/4 - 16 UNF with $\varnothing 15,87$ and $\varnothing 14,27$ nose sizes

Flow path

As per hydraulic symbol on previous page.
Transient state: all ports closed

Manual override

Marking

0 = Standard factory marking
Customized markings can be done upon request

Manual Override

Model Code	Type of override
0	No override
3	Push pin
4	Push knob
8	Screw

Coil



Use 22W coil to operate this valve.