

The Quick Exhaust Valves With Speed Control And Silencer

WSE-G SERIES



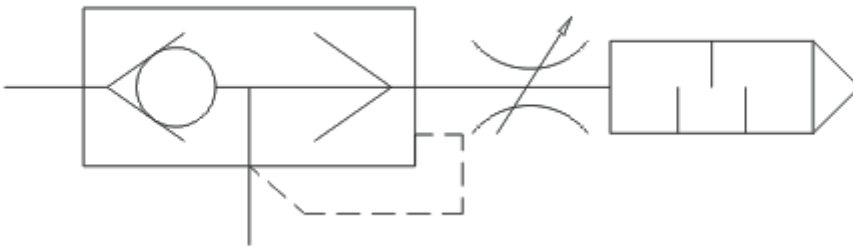
Product features

- Used to the high-speed cylinders
The exhaust valve with a quick fitting to fix the tube easily
- The valve have the function of the shuttle valve
- The exhaust side have the fuction with throttling and noise eilminatuon,it can control the high-speed cylinder,at the same time also can reduce the exhaust noise

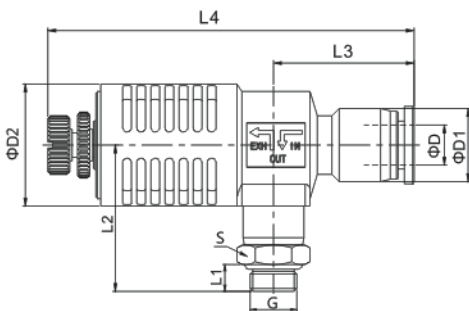
Speciality

Fluid	Air
Operating Pressure	0.1~1.0 MPa
Negative Pressure	-100Kpa(-29.5 in Hg)
Operating Temperature	-60°C
Applicable Tube	PU Polyurethane and Nylon

Graphical symbols



Dimension



MODEL	φD	G	L1	L2	L3	L4(Max)	φD1	φD2	S
WSE08-G01	8	G1/8	5.5	30	29	83	15	25	13
WSE08-G02	8	G1/4	6.5	31.5	29	83	15	25	16
WSE08-G03	8	G3/8	7.5	33	29	83	15	25	20
WSE10-G01	10	G1/8	5.5	30	32	86	19	25	13
WSE10-G02	10	G1/4	6.5	31.5	32	86	19	25	16
WSE10-G03	10	G3/8	7.5	33	32	86	19	25	20