

MINI Fittings

WSC04-M5C SERIES



Product features

- The compact fittings used to the pneumatic tube system
- The volume is 40% smaller than the standard pneumatic fittings
- The small and oval sleeve is easy to push in and pull out the tube

Speciality

Fluid	Air /no other gases or liquids)
Operating Pressure	0~1.0 MPa (150psi)
Negative Pressure	-100Kpa(-29.5 in Hg)
Operating Temperature	-60°C (32-140 °F)
Applicable Tube	PU Polyurethane and Nylon

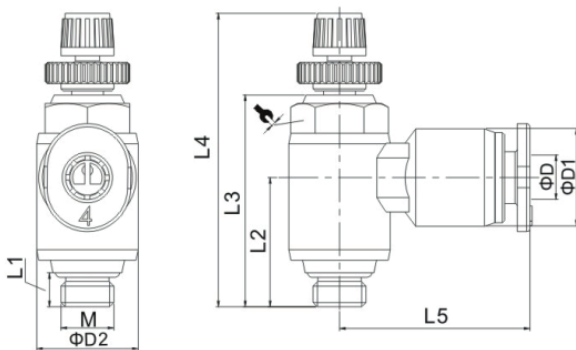
Ordering Code

PC - 06 - 01 - C

<p>Compact one touch fitting</p>	<p>Tube Dia</p> <table border="0"> <tr> <td>Code</td> <td>Size</td> </tr> <tr> <td>03</td> <td>φ03</td> </tr> <tr> <td>04</td> <td>φ04</td> </tr> <tr> <td>06</td> <td>φ06</td> </tr> </table>	Code	Size	03	φ03	04	φ04	06	φ06	<p>Thread Size</p> <p>Metric Thread</p> <table border="0"> <tr> <td>Code</td> <td>Size</td> </tr> <tr> <td>M3</td> <td>M3X0.5</td> </tr> <tr> <td>M5</td> <td>M3X0.8</td> </tr> <tr> <td>M6</td> <td>M6X1.0</td> </tr> </table> <p>R (PT) Thread</p> <table border="0"> <tr> <td>Code</td> <td>Size</td> </tr> <tr> <td>01</td> <td>R1/8</td> </tr> </table>	Code	Size	M3	M3X0.5	M5	M3X0.8	M6	M6X1.0	Code	Size	01	R1/8	<p>Compact Nickel</p>
Code	Size																						
03	φ03																						
04	φ04																						
06	φ06																						
Code	Size																						
M3	M3X0.5																						
M5	M3X0.8																						
M6	M6X1.0																						
Code	Size																						
01	R1/8																						

Note: we can make other smaller thread.

Dimension



MODEL	φD	M	L1	L2	L3	L4 (Max)	L5	φD1	φD2	
WSC04-M5C	4	5	3.2	12.2	20	29	18	9.5	9.6	8