

Speed Controls

WSC-G SERIES



Product features

Used to control the speed of the working equipment
Because of the resin body and metal body rotation lead to the direction is free

Speciality

Fluid	Air /no other gases or liquids)
Operating Pressure	0.1~1 MPa (15~150psi)
Max Pressure	-1.8 MPa
Operating Temperature	-60°C (32-140°F)
Applicable Tube	PU Polyurethane and Nylon

Ordering Code

W	PC	8	-	01	-	*
(1)	(2)	(3)	(4)	(5)		

Metric Size

Code	4	5	6	7	8	9	10	11	12	13	14	15	16
Tube Outer Diameter mm	φ4	φ5	φ6	φ7	φ8	φ9	φ10	φ11	φ12	φ13	φ14	φ15	φ16

Inch Size

Code	5/32	3/16	1/4	5/16	3/8	1/2
Tube Outer Diameter mm	φ5/32	φ3/16	φ1/4	φ5/16	φ3/8	φ1/2

(4) Thread type and size

Metric Size

Code	M5	M6	M8	M10	M12	M12A	M14	M16	M20
Thread	M5*0.8	M6*1	M8*1	M10*1	M12*1.25	M12*1.5	M14*1.5	M16*1.5	M20*1.5

55° Taper Pipe Thread (NPT)

Code	01	02	03	04	06
Thread	R1/8	R1/4	R3/8	R1/2	R3/4

55° Taper Pipe Thread (NPT)

Code	G01	G02	G03	G04	G06
Thread	G1/8	G1/4	G3/8	G1/2	G3/4

UNF

60° American Standard Taper Pipe Thread (NPT)

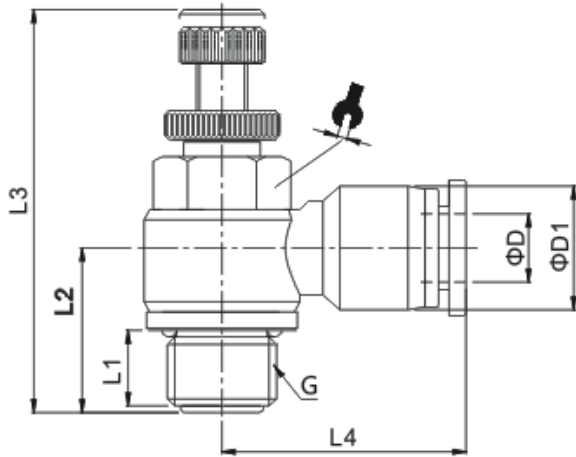
Code	U10	NO1	NO2	NO3	NO4	NO6
Thread	10-32UNF	NPT1/8	NPT1/8	NPT1/4	NPT1/2	NPT3/4

Note: The external dimension of fitting size is connected the outer diameter odd no. (φ5, φ7, φ9, φ11, φ13) will be suit φ6, φ10, φ12, φ14

Speed Controls

WSC-G SERIES

Dimensions



MODEL	φD	G	L1	L2	L3	L4	φD1	W
WSC04-G01(B)	4	G1/8	5.5	14	42	23.5	11.5	12
WSC04-G02(B)	4	G1/4	7.5	18	48	25.5	11.5	14
WSC06-G01(B)	6	G1/8	5.5	14	42	23.5	13.5	12
WSC06-G02(B)	6	G1/4	7.5	18	48	25.4	13.5	14
WSC06-G03(B)	6	G3/8	7.5	20.5	53	29.5	13.5	19
WSC06-G04(B)	6	G1/2	10	25.5	61	32.5	13.5	24
WSC08-G01(B)	8	G1/8	5.5	14.5	42	26.5	15	12
WSC08-G02(B)	8	G1/4	7.5	19	48	28.9	15	14
WSC08-G03(B)	8	G3/8	7.5	20.5	53	29.8	15	19
WSC08-G04(B)	8	G1/2	10	25.5	61	32.5	15	24
WSC10-G01(B)	10	G1/8	5.5	17.5	42	30.3	19	12
WSC10-G02(B)	10	G1/4	7.5	20	48	32.6	19	14
WSC10-G03(B)	10	G3/8	7.5	22.5	53	33	19	19
WSC10-G04(B)	10	G1/2	10	25.5	61	36	19	24
WSC12-G01(B)	12	G1/8	5.5	18.5	42	31	21.5	12
WSC12-G02(B)	12	G1/4	7.5	20	48	33.5	21.5	14
WSC12-G03(B)	12	G3/8	7.5	24	53	35.5	21.5	19
WSC12-G04(B)	12	G1/2	10	30	61	36.5	21.5	24