

Quick Connecting Tube Fittings

WPZ SERIES



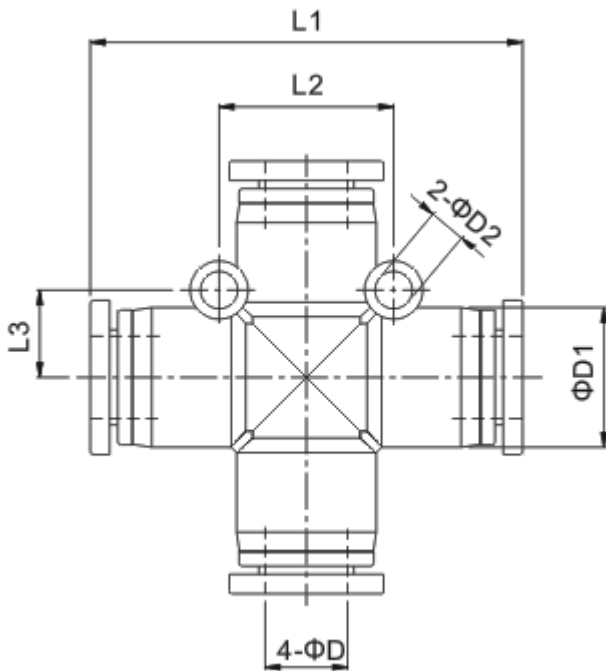
Product features

One-Touch tube fittings are used in pneumatics piping.
 The tube fittings come in wide variety of models to meet all your needs in pneumatics piping.
 Even after installation, in direction of the tube can be changed freely.
 Nickel-plated metal body ensures Anti-Corrosion and Anti-Contamination.
 All R and NPT threads are Pre-Costed sealant.
 All cylindrical threads are standard with O-Ring seals.

Speciality

Fluid	Air, Vacuum
Operating Pressure	0-1.0MPa (150 psi)
Negative Pressure	-100KPa(-29.5 in-Hg)
Max Pressure	1.5MPa
Operating Temperature	0-60°C(32-140°F)
Applicable Tube	Polyurethane and Nylon

Dimension



MODEL	φD	φD1	φD2	L1	L2	L3
WPZ04	4	11.5	3.2	38	14	7
WPZ06	6	13.5	3.2	39	16	8
WPZ08	8	15	3.2	45	19	9.5
WPZ10	10	19	4.2	57	24	12
WPZ12	12	21.5	4.3	59	26	13

MODEL	φD	φD1	φD2	L1	L2	L3
WPZ5/32	5/32	11.5	3.2	38	14	7
WPZ1/4	1/4	13.5	3.2	39	16	8
WPZ5	5/16	15	3.2	45	19	9.5
WPZ10	3/8	19	4.2	57	24	12
WPZ12	1/2	21.5	4.3	59	26	13