

WPMT - Hidrolik El Pompası / WPMT- Hydraulic Hand Pump



Sipariş Kodu / Ordering Code

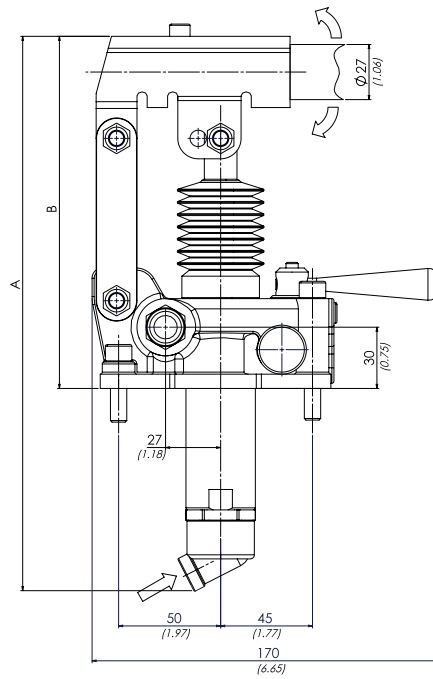
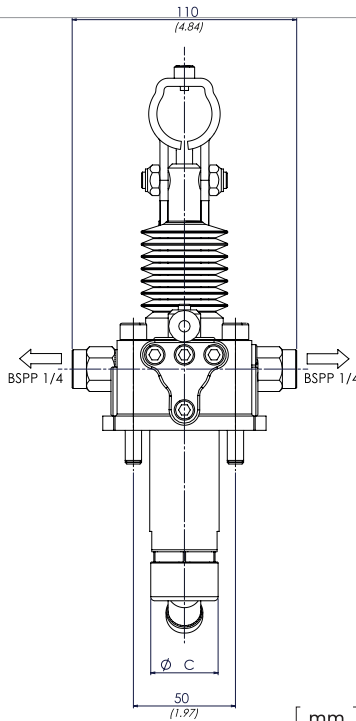
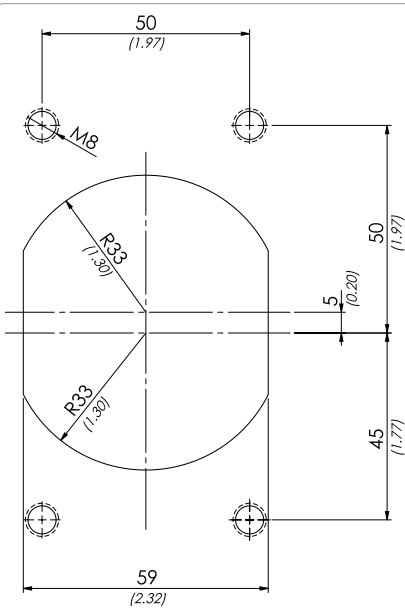
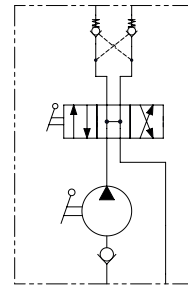
01	POMPA A MANO DOPPIO POMPAGGIO			PMT	
	DOUBLE PUMPING HAND PUMP WITH CHECK VALVES FOR DOUBLE ACTING CYLINDER				
02	CILINDRATA DISPLACEMENT	mm - inch			
		A	B	C	
	6 cm ³ (0.37 in ³)	253 (9.96)	166 (6.54)	34 (1.34)	6
	12 cm ³ (0.73 in ³)	253 (9.96)	166 (6.54)	34 (1.34)	12
	25 cm ³ (1.53 in ³)	273 (10.75)	172 (6.77)	34 (1.34)	25
45 cm ³ (2.75 in ³)	283 (11.14)	172 (6.77)	40 (1.57)	45	
03	OPTIONAL	- Without rubber protection			
		- With rubber protection			P
04	OPTIONAL	With relief valves on A and B			RVAB
		With relief valves on B			RVB

Teknik Data / Technical Data

HYDRAULIC CIRCUIT

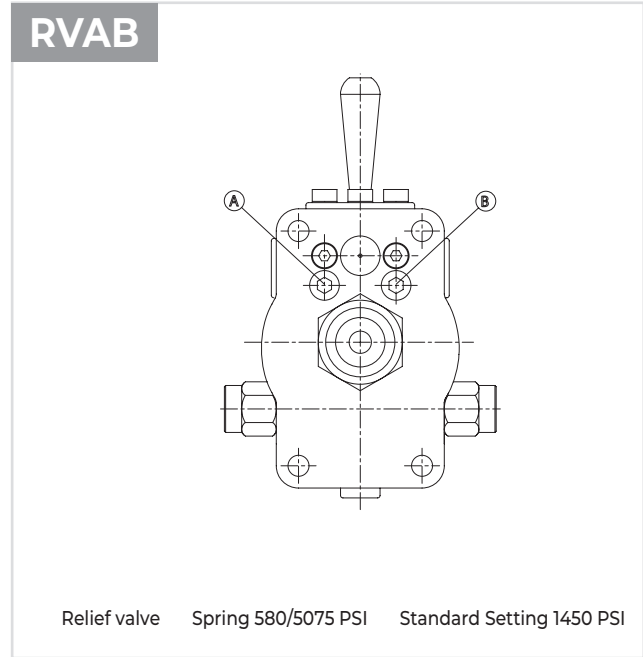
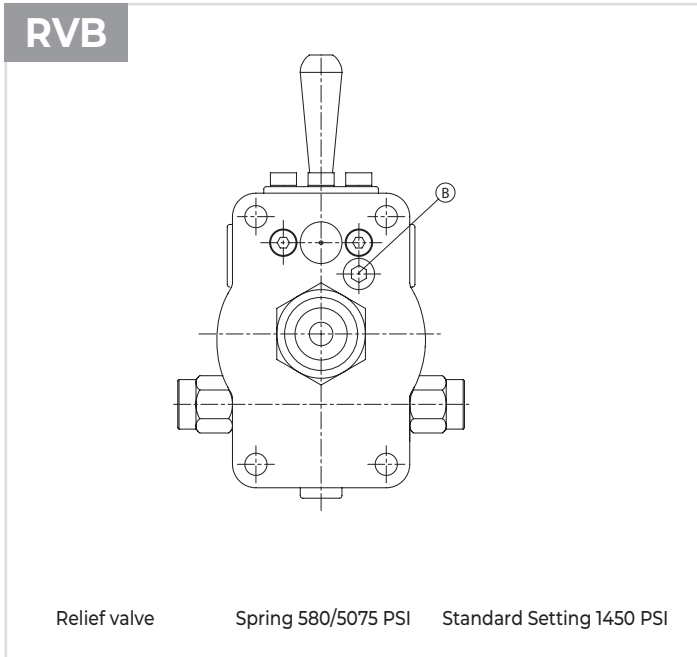
Mineral oil	ISO 6743/4 (DIN 51524)	
Oil viscosity	15-250 mm ² /s (15 to 250 cSt)	
Max contamination index	ISO 4406:1999 Classe 19/17/14	
Oil temperature	-20°C +80°C	-4°F +176°F
Environment temperature	-20°C +50°C	-4°F +122°F

A filter into the hydraulic circuit necessary to protect the valve (advised filtration 15 µm)



mm
(Inches)

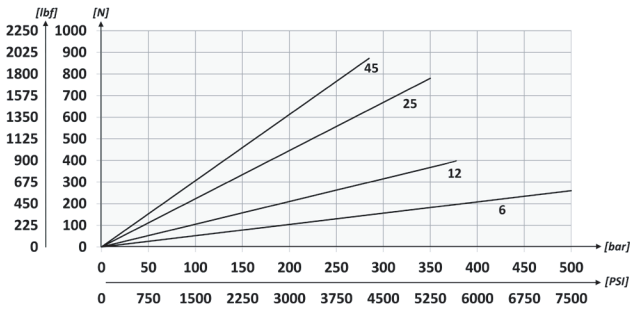
WPMT - Hidrolik El Pompası / WPMT- Hydraulic Hand Pump



Teknik Data / Technical Data

TECHNICAL CHARACTERISTICS

EFFORT OPERATING AT THE END OF THE LEVER



TYPE	OPTIMAL PRESSURE bar-PSI	MAX PRESSURE bar-PSI	APPROX WEIGHT kg-lbt
PMT6	420 (6090)	500 (7250)	4,20 (9.25)
PMT12	220 (3190)	380 (5510)	
PMT25	120 (1740)	350 (5075)	
PMT45	80 (1160)	280 (4060)	