

## Quick Connecting Tube Fittings

### WPL-M SERIES



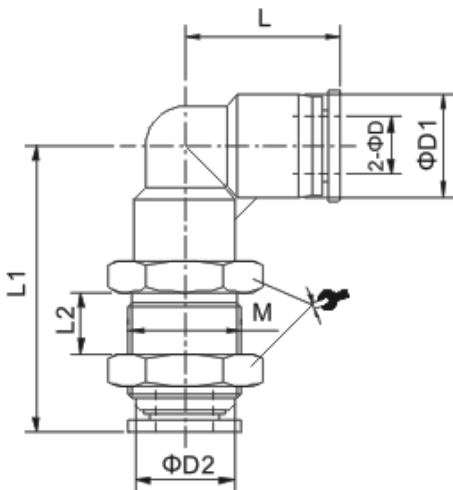
#### Product features

One-Touch tube fittings are used in pneumatics piping.  
 The tube fittings come in wide variety of models to meet all your needs in pneumatics piping.  
 Even after installation, in direction of the tube can be changed freely.  
 Nickel-plated metal body ensures Anti-Corrosion and Anti-Contamination.  
 All R and NPT threads are Pre-Costed sealant.  
 All cylindrical threads are standard with O-Ring seals.

#### Speciality

Fluid	Air, Vacuum
Operating Pressure	0-1.0MPa (150 psi)
Negative Pressure	-100KPa(-29.5 in-Hg)
Max Pressure	1.5MPa
Operating Temperature	0-60°C(32-140°F)
Applicable Tube	Polyurethane and Nylon

#### Dimensions



MODEL	$\phi D$	$\phi D1$	$\phi D2$	L	L1	L2	M	
WPLM04	4	11.5	10	19	31	6	M12X1	14
WPLM06	6	13.5	12	19.2	34.5	7	M14X1	17
WPLM08	8	15	14	22.5	41	7.5	M16X1	19
WPLM10	10	19	17	28.5	47	9.5	M20X1	24
WPLM12	12	21.5	20	29.5	49	10	M22X1	26