

Check Valves

WPCVF-G SERIES



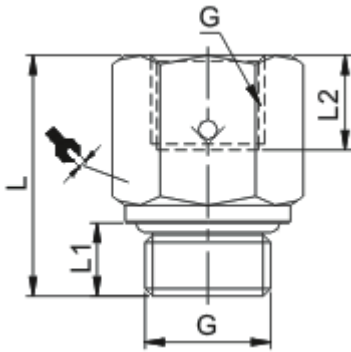
Product features

- Specifications: allow the airflow in one direction but stops in reverse direction

Speciality

Fluid	Air (no other gases or liquids)
Operating Pressure	0.05~1.0 MPa(150 psi)
Negative Pressure	-100Kpa(-29.5 in Hg)
Operating Temperature	-60°C (32-140°F)
Applicable Tube	Polyurethane and Nylon

Dimension



MODEL	G	L1	L2	L	☛
WPCVF 01-G01(B)	G1/8	5.5	8.5	23	14
WPCVF 02-G01(B)	G1/4	7.5	11	29.8	17
WPCVF 03-G02(B)	G3/8	7.5	12	32.9	21
WPCVF 04-G01(B)	G1/2	10	14	37	24

Graphical Symbols

