

Ordering Code

**WLA4** - **BS** - **125** - \_ \_ \_ - \_ \_ - \_ \_ - \_ \_ - \_ \_

|       |            |      |        |       |                    |                          |
|-------|------------|------|--------|-------|--------------------|--------------------------|
| 1     | 2          | 3    | 4      | 5     | 6                  | 7                        |
| Model | Drive Unit | Size | Stroke | Pitch | Mounting Kit Model | Mounting Kit Accessories |

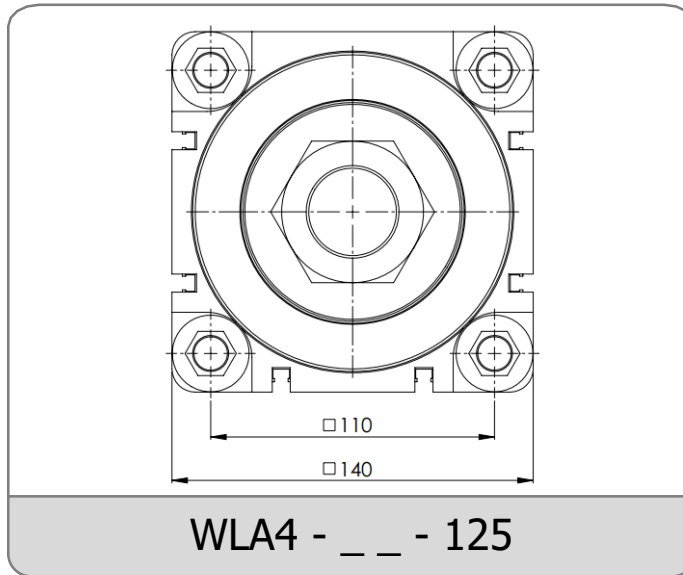
1-Model

**WLA4-125:** Series Linear Actuators

2-Drive Unite

**BS:** Ball Screw

3-Size



4-Stroke

**0000** : Maximum 1200 mm

**Movement Stroke**

In addition to the desired movement stroke, it is recommended to leave a space on both sides until 2 x Pitch.

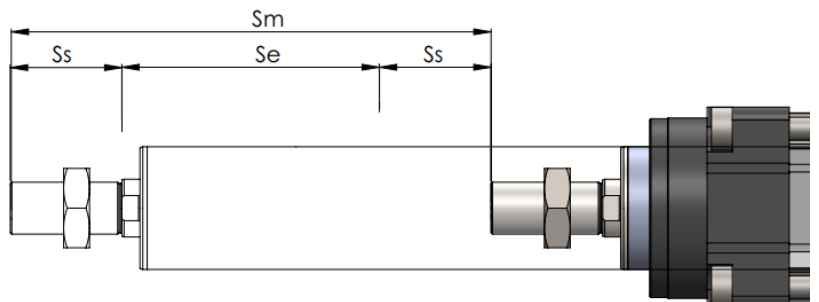
$S_m = S_e + 2 \times S_s$

$S_s = 2 \times p$

**S<sub>m</sub> :** Movement Stroke

**S<sub>e</sub> :** Safety Stroke

**P :** Ball Screw Pitch




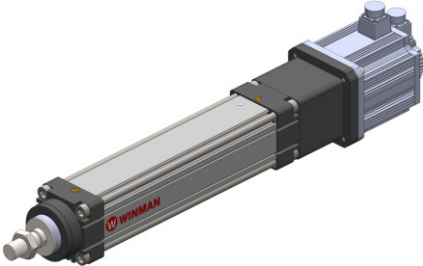
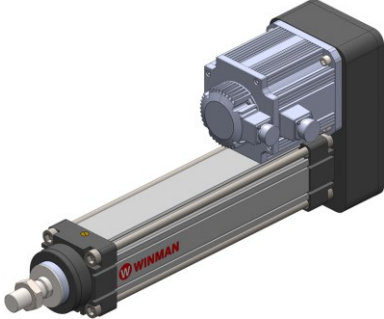
**Ordering Code**
**WLA4 - B S - 1 2 5 - \_ \_ - \_ \_ - \_ \_ - \_ \_ -**

|       |            |      |        |       |                    |                      |
|-------|------------|------|--------|-------|--------------------|----------------------|
| 1     | 2          | 3    | 4      | 5     | 6                  | 7                    |
| Model | Drive Unit | Size | Stroke | Pitch | Mounting Kit Model | Assembly Accessories |

**5-Pitch**

| Drive Unit              | Ball Screw |           |
|-------------------------|------------|-----------|
| <b>Actuator Model</b>   | <b>10</b>  | <b>20</b> |
| <b>WLA4 - _ _ - 125</b> |            |           |

**6-Mounting Kit Model**

|   |   |  |
|---|---|--|
|  |  |  |
| <b>00:Without Mounting (Standart)</b>   | <b>WDAK : Axial Kit</b>   | <b>WDPK : Parallel Kit</b>   |

**Note 1 :** Please contact for different motor types and mounting sizes.

**Note 2 :** Please contact for to use reducer.

**8-Assembly Accessories****Front Mounting**

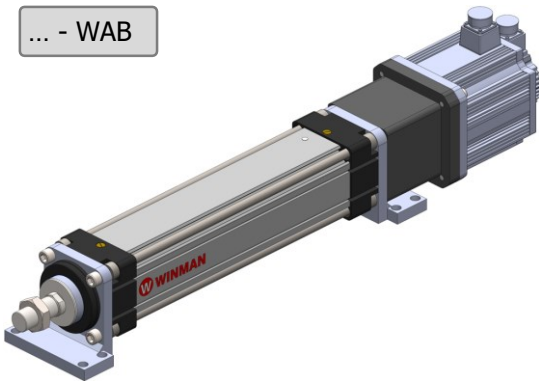
... - WGM



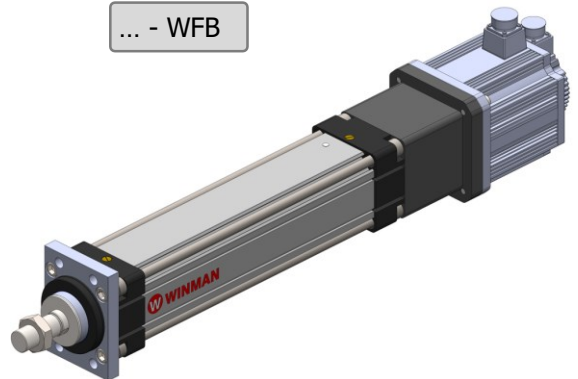
... - WCB

**Mounting for Axial Kit**

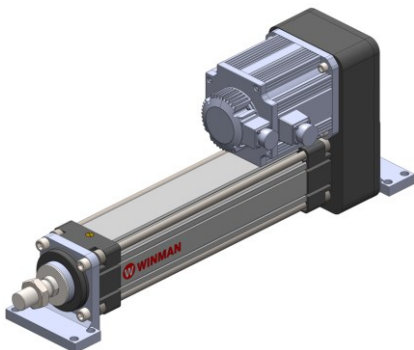
... - WAB



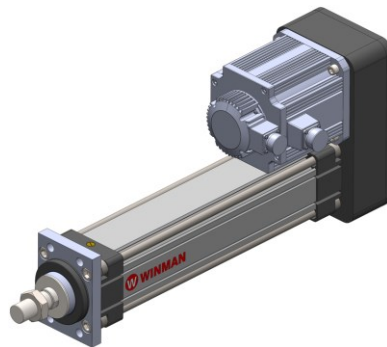
... - WFB

**Mounting for Parallel Kit**

... - WAB



... - WFB



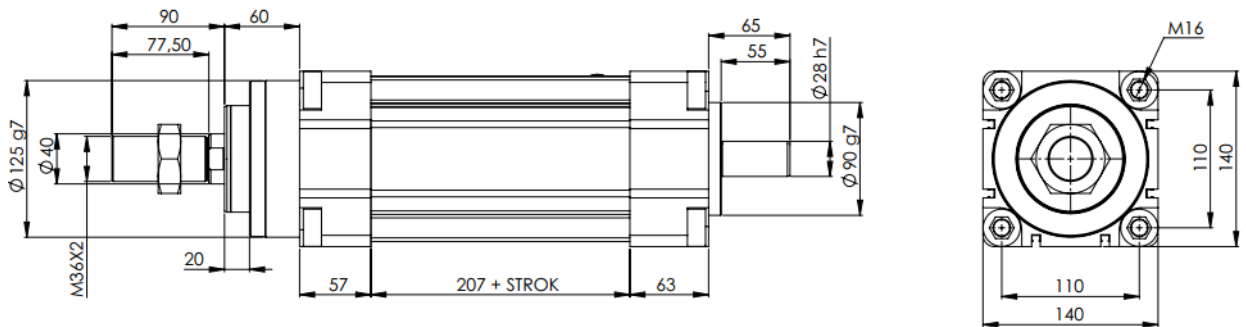
... - EYB



**WINMAN WLA4-125 Series Linear Actuators**

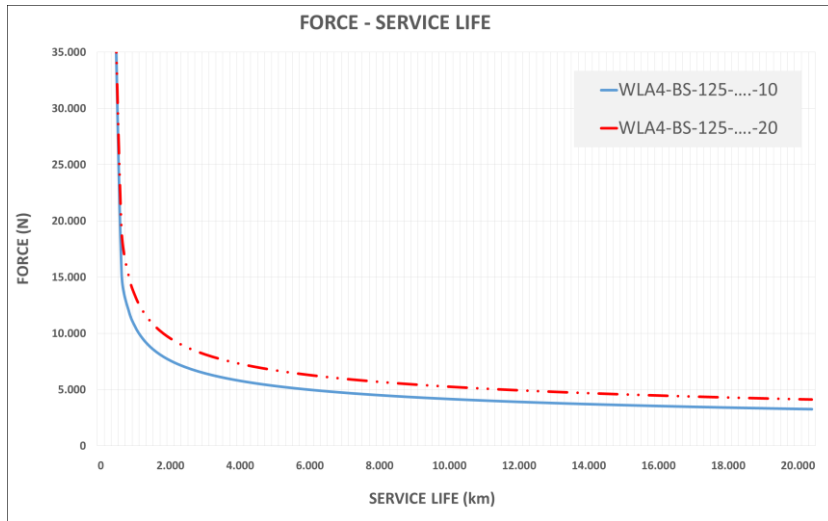

| Specification       |                  |               |
|---------------------|------------------|---------------|
| Size                |                  | <b>125</b>    |
| Maximum Axial Force | N                | <b>29000</b>  |
| Maximum Speed       | m/s              | <b>0,5</b>    |
| Maximum Stroke      | mm               | <b>1500</b>   |
| Position Accuracy   | μm/mm            | <b>30/600</b> |
| Repeating Accuracy  | mm               | <b>±0,01</b>  |
| Acceleration        | m/s <sup>2</sup> | <b>12,1</b>   |

**Note :** Calculated value are theoretical values. We recommend you to calculate safety factor as five (5).

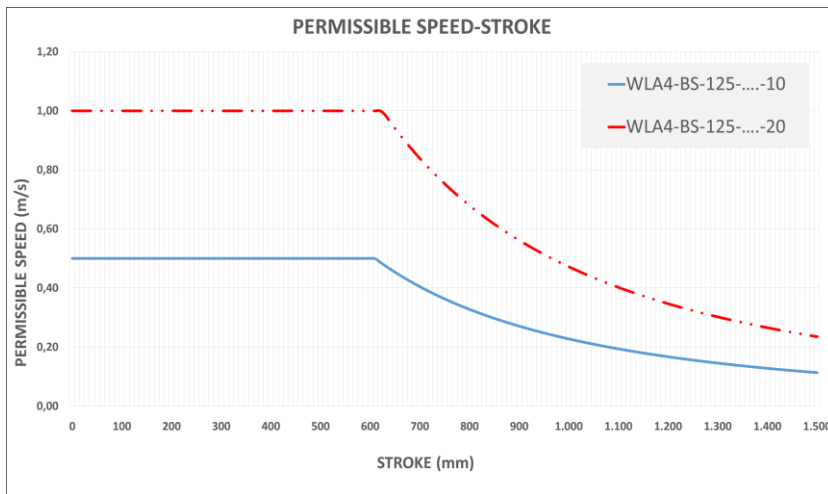
**Technical Drawing**


Technical Data

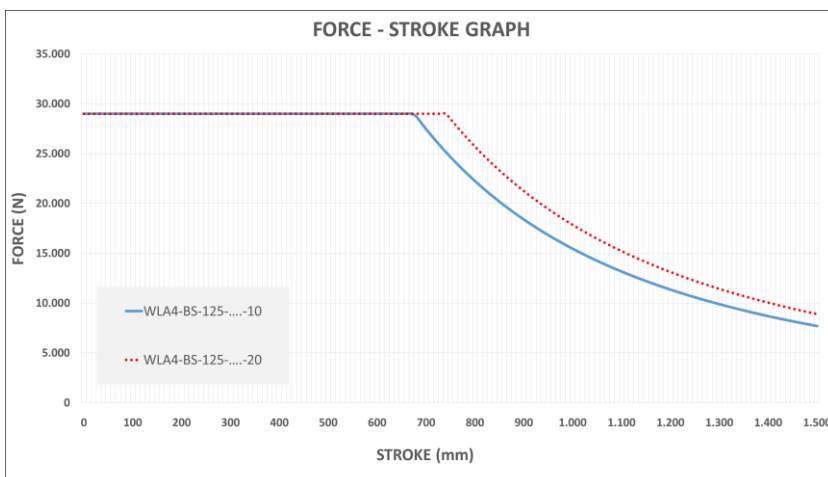
Mean Force/Service Life



Permissible Speed/Stroke

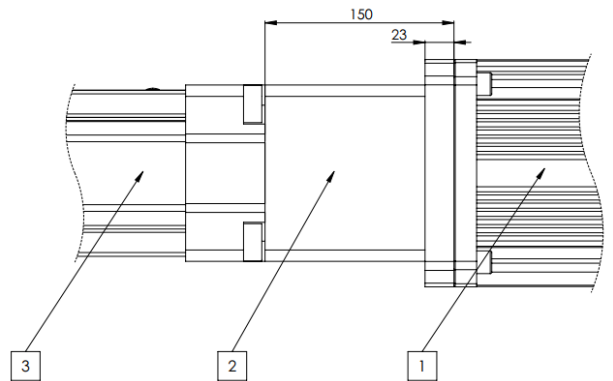
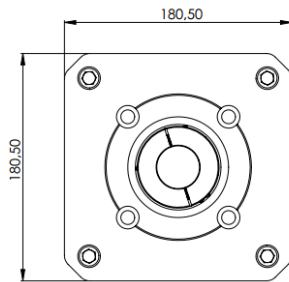
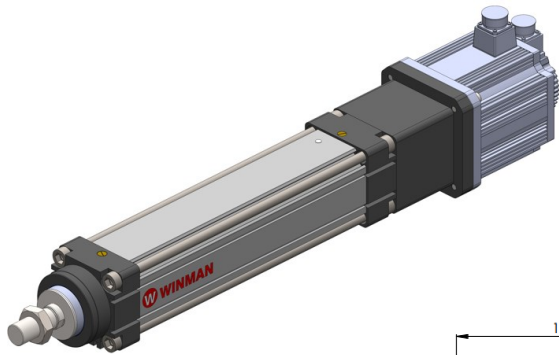


Maximum Force/Stroke



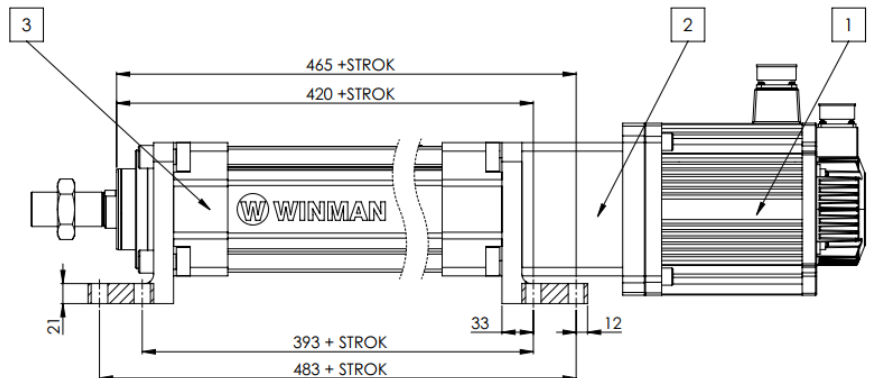
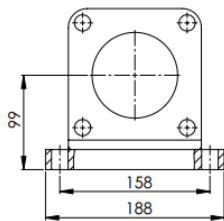
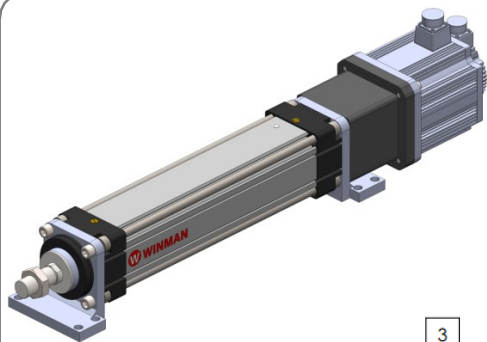
WDAK Axial Mounting Kit

WDAK Technical Drawing



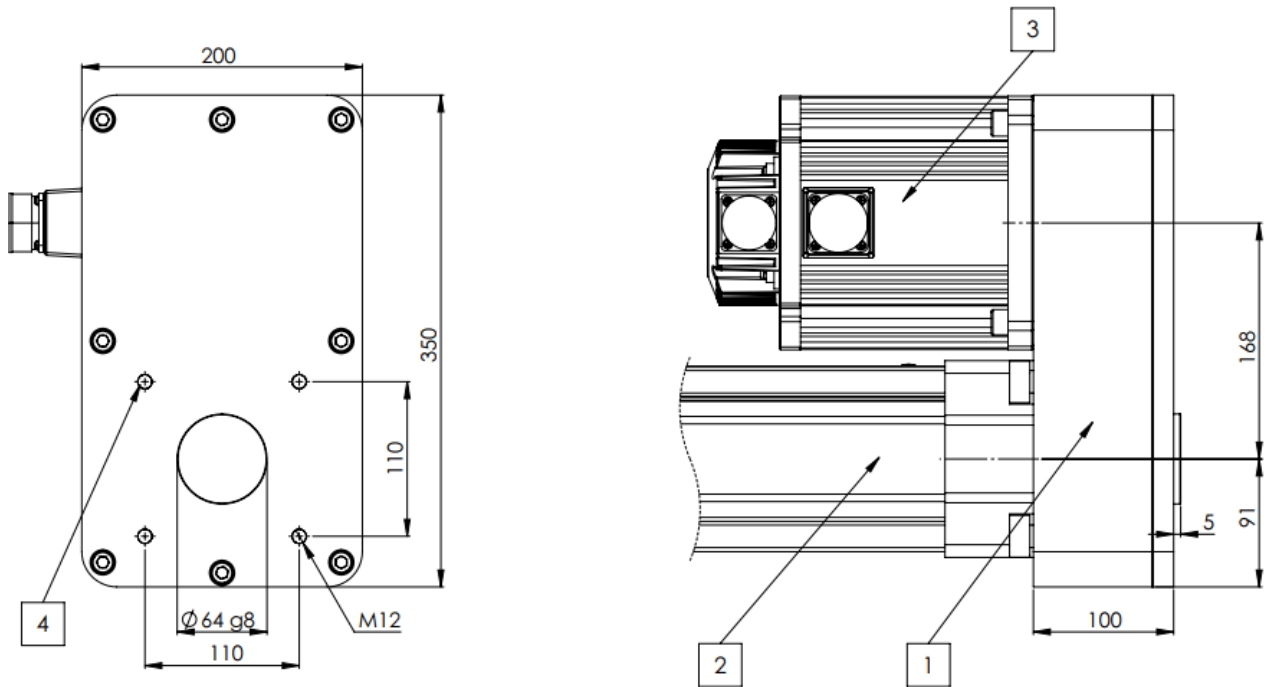
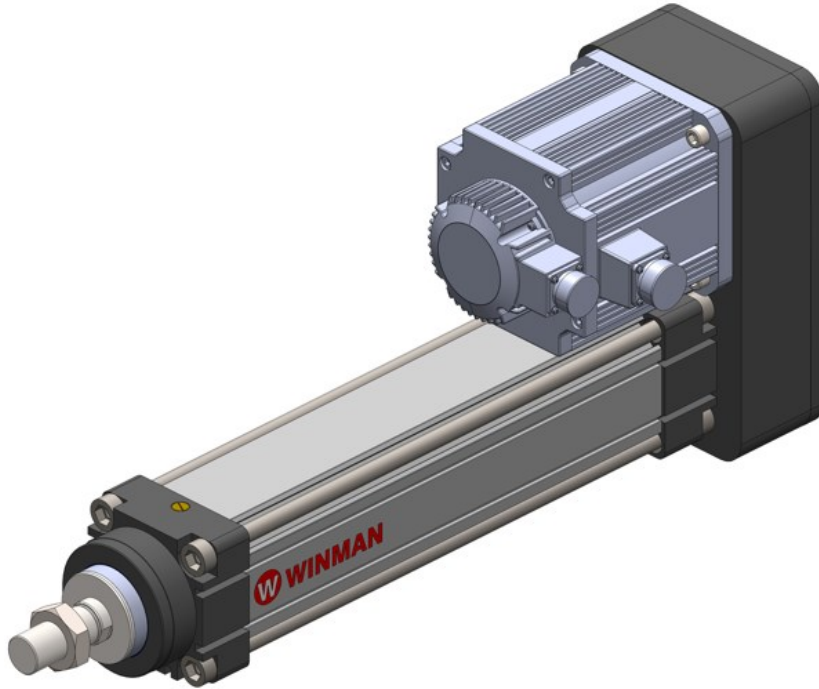
- 1- Motor
- 2- Axial Kit
- 3- Linear Actuator

WDAK Axial Foot Mounting Kit



- 1- Motor
- 2- Axial Kit
- 3- Linear Actuator

**WDPK Parallel Mounting Kit**

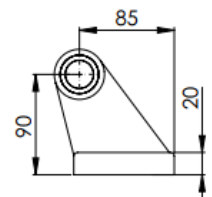
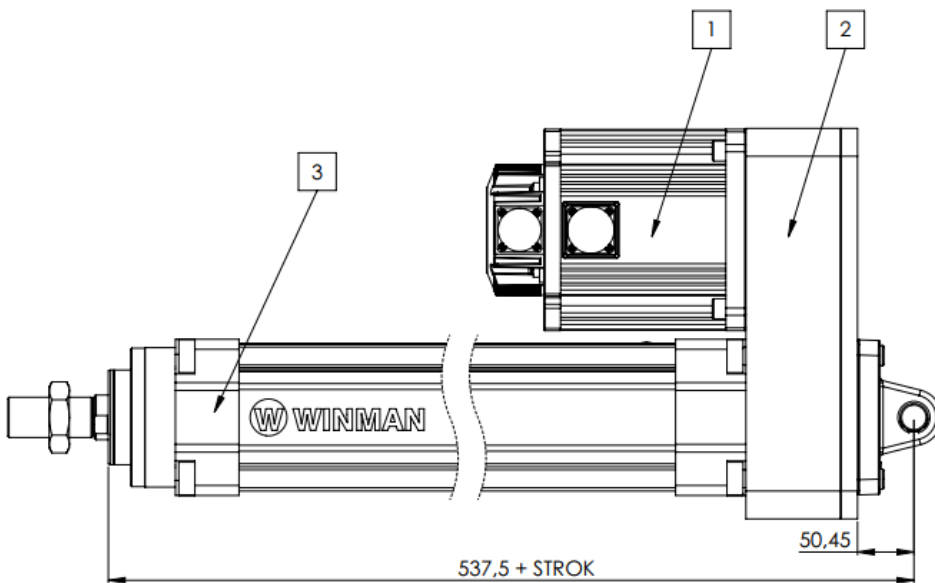
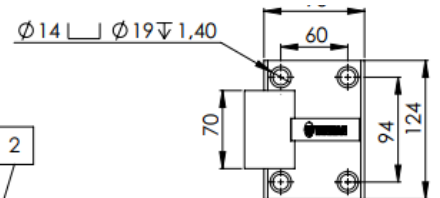
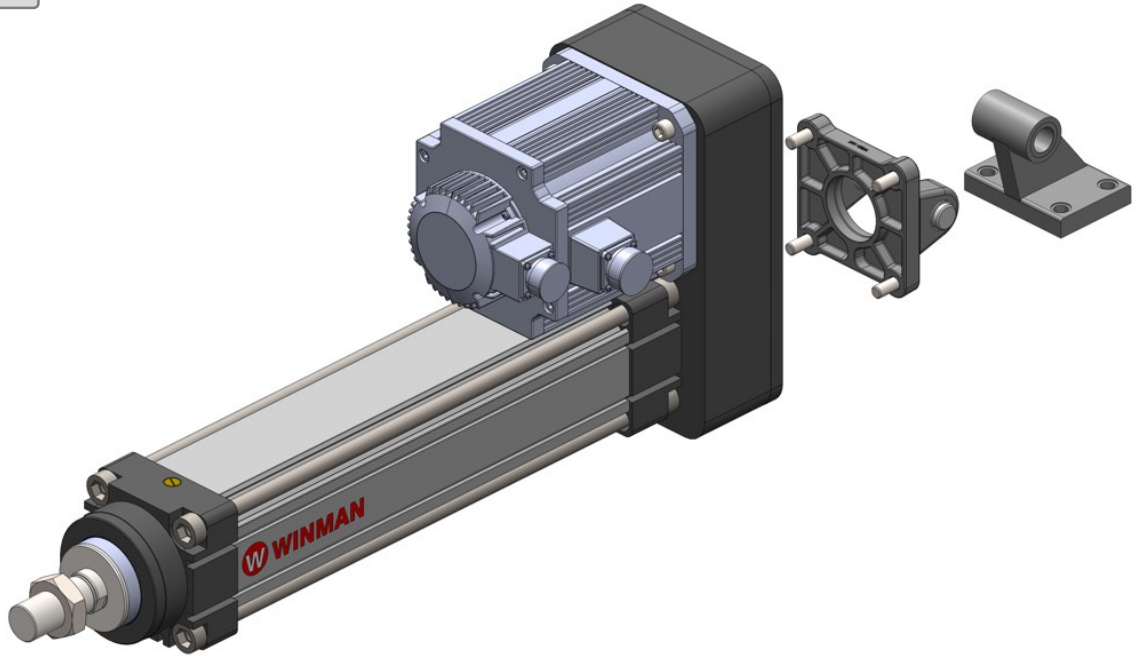


- 1- Parallel Axial Kit
- 2- Linear Actuator
- 3- Motor
- 4- Mounting Thread

**WDAK Axial Mounting Kit**

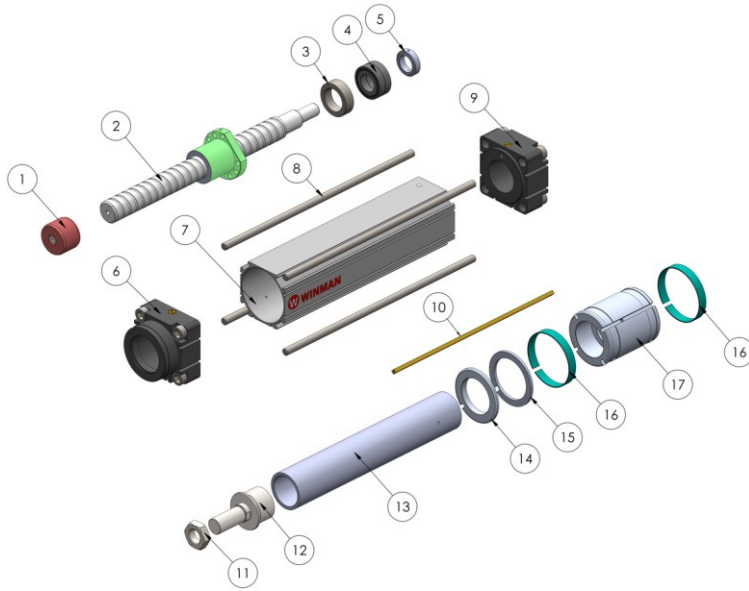
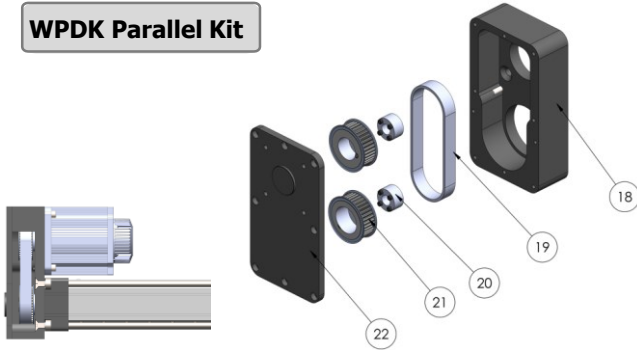
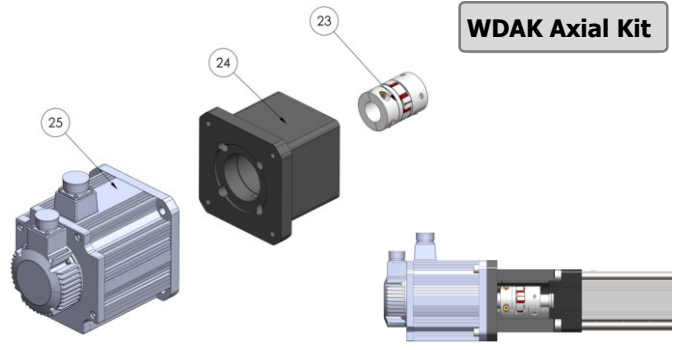
**WDAK Swivel Flansch and Clevis Foot Mounting**

... - EYB



- 1 - Motor
- 2 - Parallel Kit
- 3 - Linear Actuator



**Assembly**
**WLA4 Linear Actuator**

**WPKD Parallel Kit**

**WDAK Axial Kit**


| Piece+2 | Qty | Part Name            | Assembly          |
|---------|-----|----------------------|-------------------|
| 1       | 1   | Ball Screw Bearing   | Actuator          |
| 2       | 1   | Ball Screw           |                   |
| 3       | 1   | Bearing Nut          |                   |
| 4       | 1   | Bearing              |                   |
| 5       | 1   | Bearing Pressure Nut |                   |
| 6       | 1   | Front Block          |                   |
| 7       | 1   | Profile              |                   |
| 8       | 4   | Stud                 |                   |
| 9       | 1   | Back Block           |                   |
| 10      | 1   | Wedge                |                   |
| 11      | 1   | Connection Nut       |                   |
| 12      | 1   | Connection Nipple    |                   |
| 13      | 2   | Piston Rod           |                   |
| 14      | 1   | Piston Part - 2      |                   |
| 15      | 1   | Magnetic             |                   |
| 16      | 2   | Guide Ring           |                   |
| 17      | 1   | Piston Part - 1      |                   |
| 18      | 2   | Paralel Kit Box      | Parallel Mounting |
| 19      | 1   | Timing Belt Pulleys  |                   |
| 20      | 2   | Toothed Belt         |                   |
| 21      | 2   | Trapper Bushing      |                   |
| 22      | 1   | Parallel Kit Cover   |                   |
| 23      | 1   | Coupling             | Axial Mounting    |
| 24      | 1   | Bellhousing          |                   |
| 25      | 1   | Motor                |                   |

**Maintenance**


Basic lubrication is done in-factory before shipment.

Bearings of the ball screw have been lubricated for life and will not require in-service lubrication under normal operating conditions.

The profile of the linear actuator has port on the top side for access to the lube on the ball nut.

Re-lubrication should be carried out if the defined travel distance is completed or 400 operating hours are reached first. At the end of 2 years, it must be re-lubricated even if the travel distance and working hours are not reached.

For lubrication; set linear actuator to zero stroke position. Remove the grubs in the lubrication port lubricate the amount indicated in the table and replace the glue after lubrication, move the linear actuator at least three times along the stroke distance. the travel speed must not exceed 10 mm / s.

Linear actuators must be lubricated with suitable grease.

Lithium soap grease should be used.

Caution: Do not use grease containing graphite or MoS!

Lubrication quantity is provided in table by normal operating conditions.

**Normal Working Conditions**

**Note :** The lubrication quantity specified in the table is valid for normal operating conditions. The lubrication quantity may vary in different operating conditions. Get information for the lubrication quantity in different working conditions.

|                             |            |         |
|-----------------------------|------------|---------|
| <b>Ambient Temperature</b>  | <b>°C</b>  | 10 ~ 40 |
| <b>Speed</b>                | <b>m/s</b> | ≤ 0,4   |
| <b>Screw Rotation Speed</b> | <b>kN</b>  | ≤ 0,2 C |
| <b>Load</b>                 | <b>N</b>   | ≤ 0,2 P |
| <b>Stroke</b>               | <b>mm</b>  | > 60    |

**Lubrication**

|                           |                       |          |
|---------------------------|-----------------------|----------|
| <b>Actuator Model</b>     |                       | WLA4-125 |
| <b>Lubrication Period</b> | <b>km</b>             | 600      |
|                           | <b>h</b>              | 400      |
| <b>Lubrication Dose</b>   | <b>cm<sup>3</sup></b> | 3,7      |

Our company has the right to modify change images, dimensions and other datas which take place in this catalogue.