

Ordering Code

WLA4 - **BS** - **125** - _ _ - _ - _ - _ - _

1	2	3	4	5	6	7
Model	Drive Unit	Size	Stroke	Pitch	Mounting Kit Model	Mounting Kit Accessories

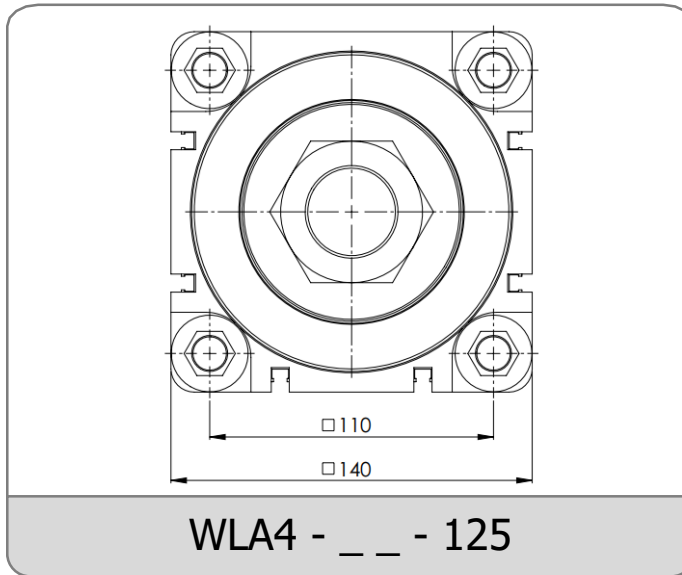
1-Model

WLA4-125: Series Linear Actuators

2-Drive Unite

BS: Ball Screw

3-Size



4-Stroke

0000 : Maximum 1200 mm

Movement Stroke

In addition to the desired movement stroke, it is recommended to leave a space on both sides until 2 x Pitch.

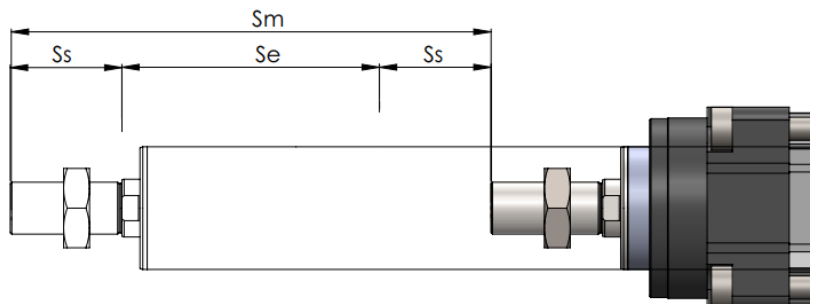
$$S_m = S_e + 2 \times S_s$$

$$S_s = 2 \times p$$

S_m : Movement Stroke

S_e : Safety Stroke

P : Ball Screw Pitch




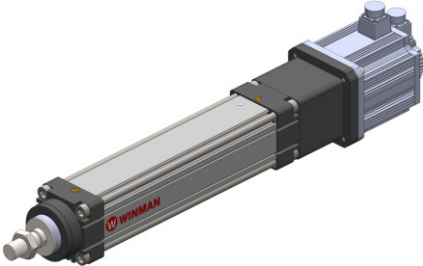
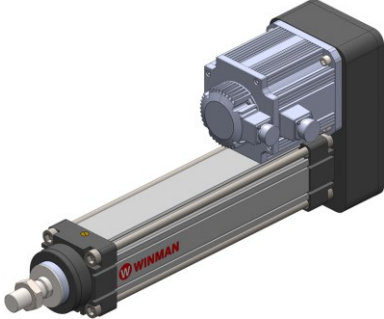
Ordering Code
WLA4 - B S - 1 2 5 - _ _ - _ - _ - _ - _ -

1	2	3	4	5	6	7
Model	Drive Unit	Size	Stroke	Pitch	Mounting Kit Model	Assembly Accessories

5-Pitch

Drive Unit	Ball Screw	
Actuator Model	10	20
WLA4 - _ _ - 125		

6-Mounting Kit Model

		
00:Without Mounting (Standart)	WDAK : Axial Kit	WDPK : Parallel Kit

Note 1 : Please contact for different motor types and mounting sizes.

Note 2 : Please contact for to use reducer.

8-Assembly Accessories

Front Mounting

... - WGM

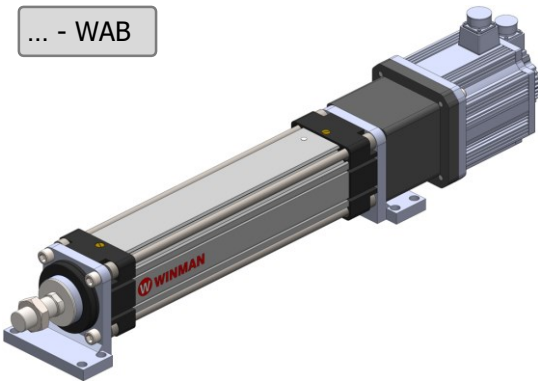


... - WCB

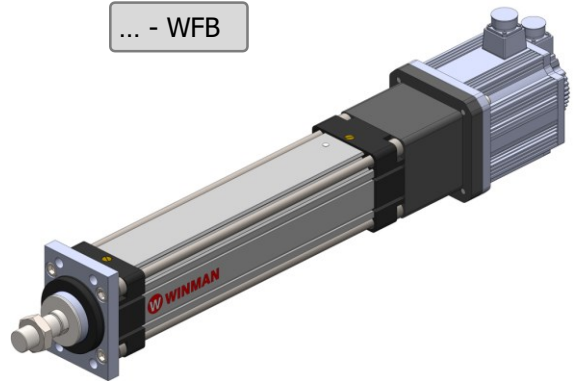


Mounting for Axial Kit

... - WAB

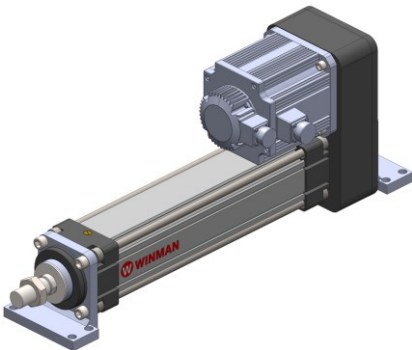


... - WFB

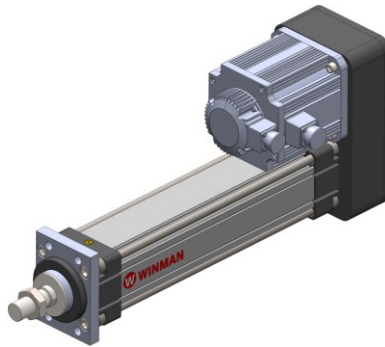


Mounting for Parallel Kit

... - WAB



... - WFB



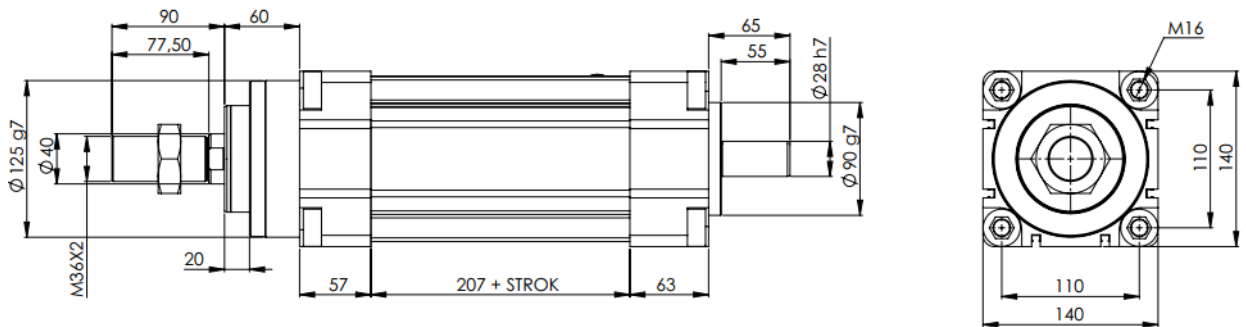
... - EYB



WINMAN WLA4-125 Series Linear Actuators

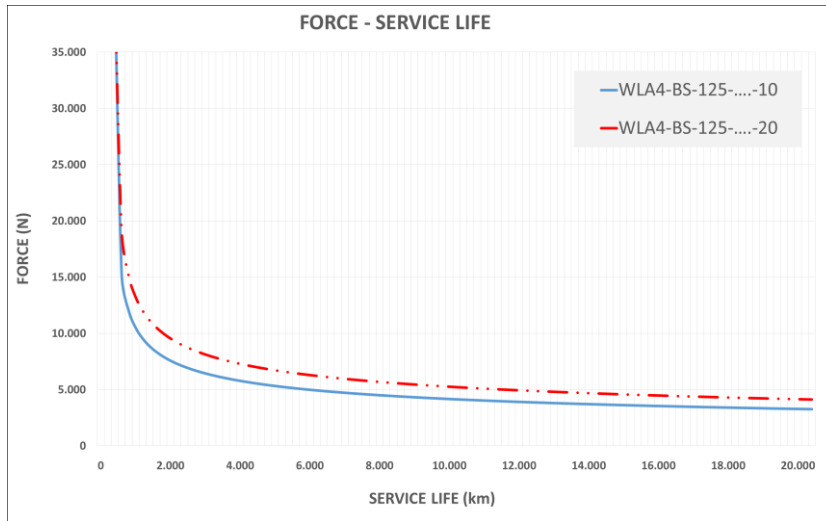

Specification		
Size		125
Maximum Axial Force	N	29000
Maximum Speed	m/s	0,5
Maximum Stroke	mm	1500
Position Accuracy	μm/mm	30/600
Repeating Accuracy	mm	±0,01
Acceleration	m/s ²	12,1

Note : Calculated value are theoretical values. We recommend you to calculate safety factor as five (5).

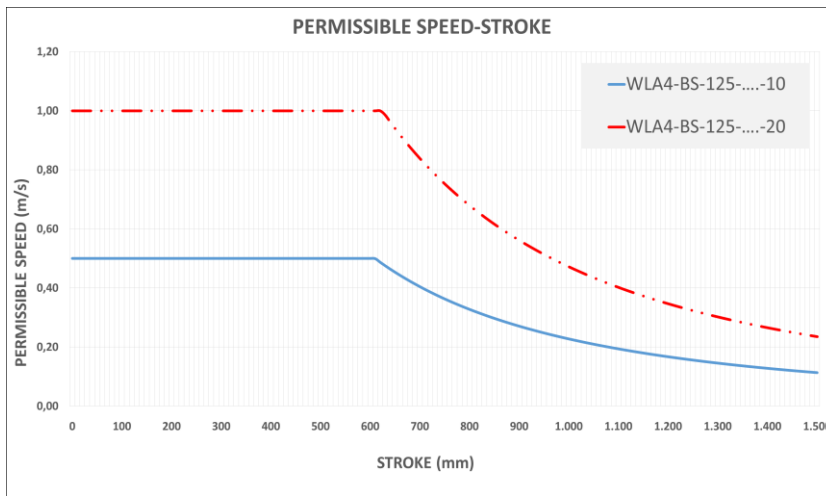
Technical Drawing


Technical Data

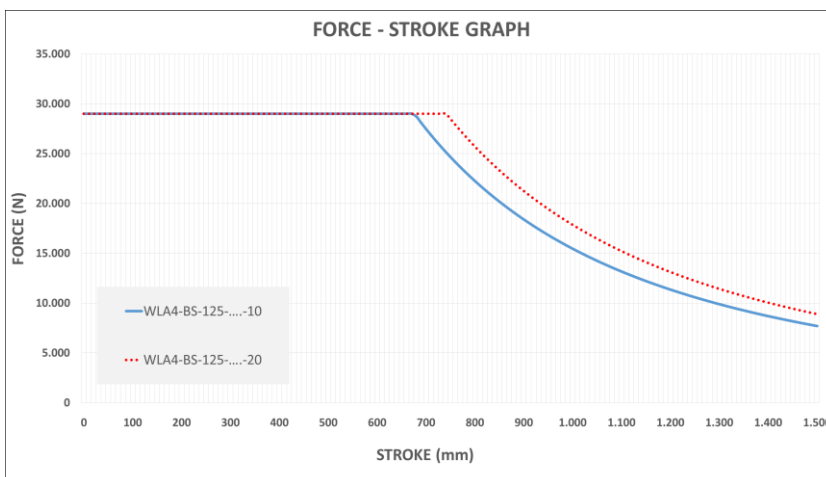
Mean Force/Service Life



Permissible Speed/Stroke

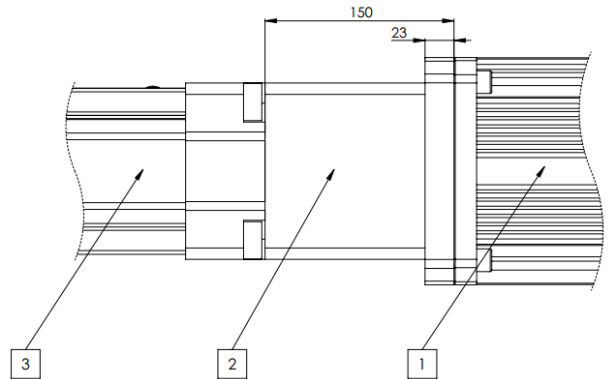
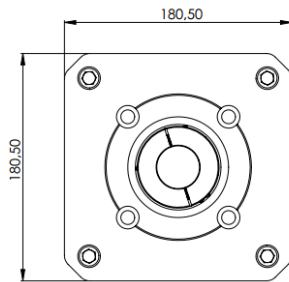
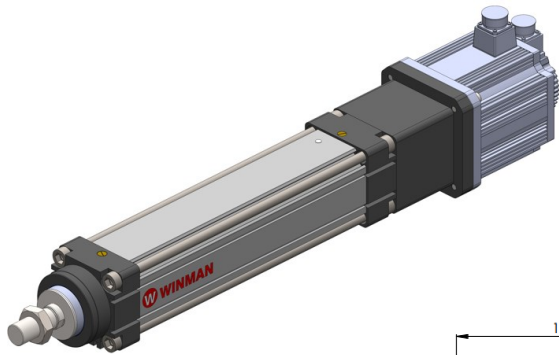


Maximum Force/Stroke



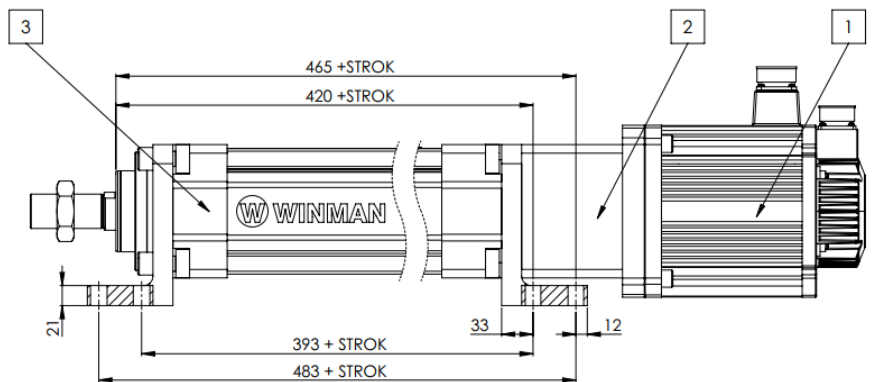
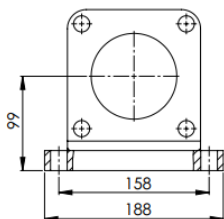
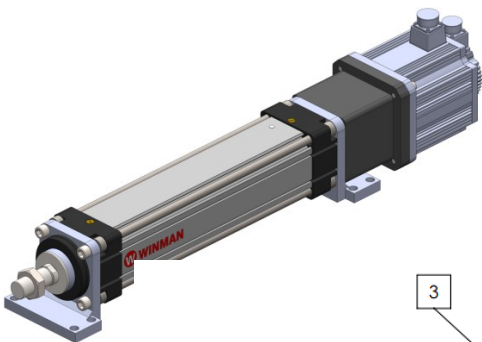
WDAK Axial Mounting Kit

WDAK Technical Drawing



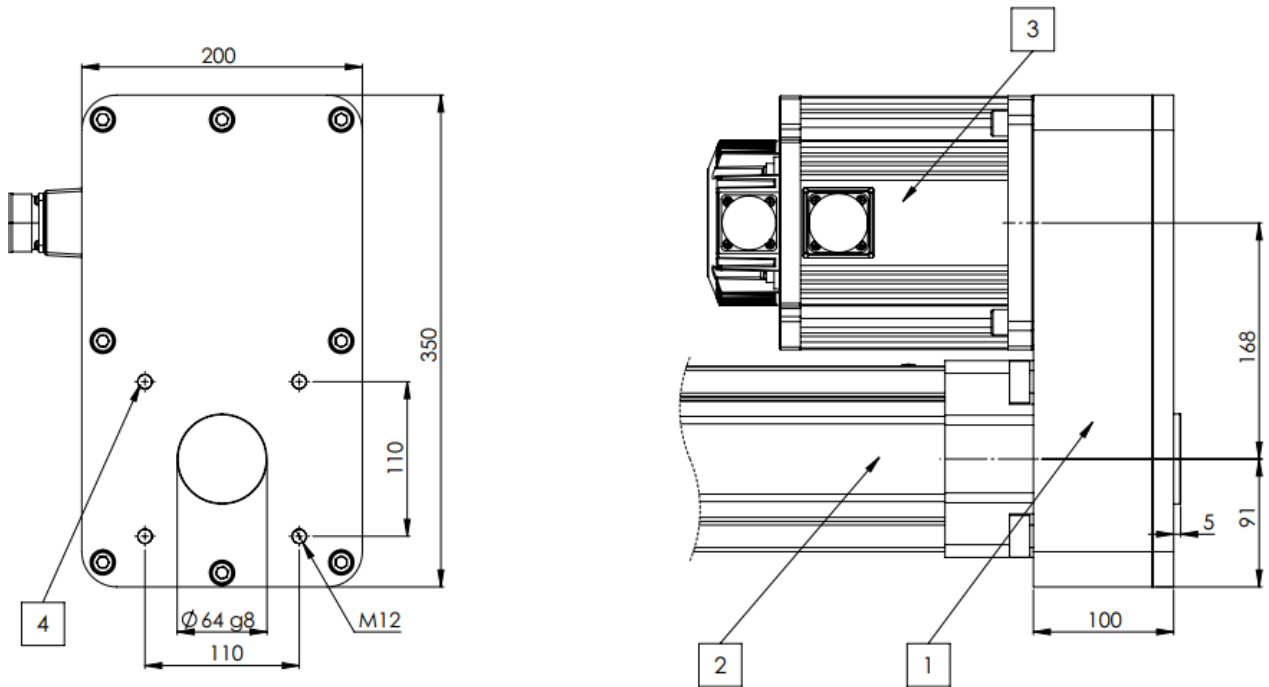
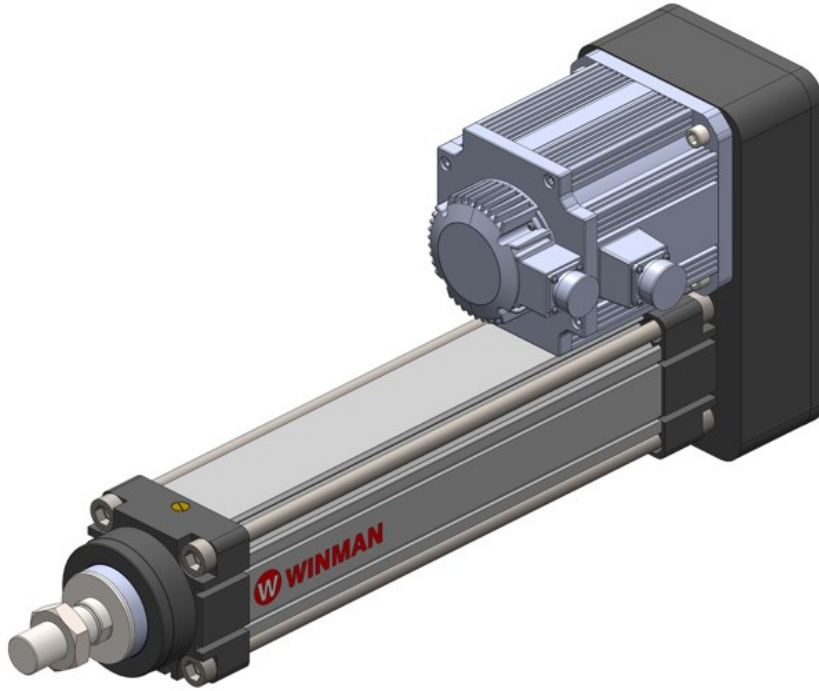
- 1- Motor
- 2- Axial Kit
- 3- Linear Actuator

WDAK Axial Foot Mounting Kit



- 1- Motor
- 2- Axial Kit
- 3- Linear Actuator

WDPK Parallel Mounting Kit

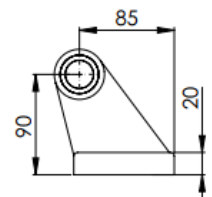
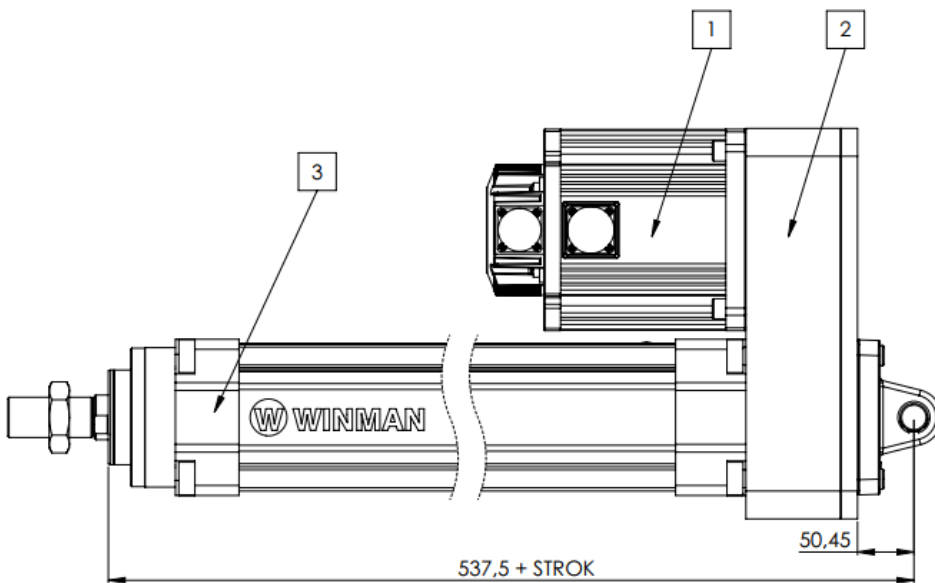
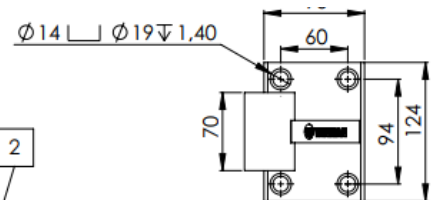
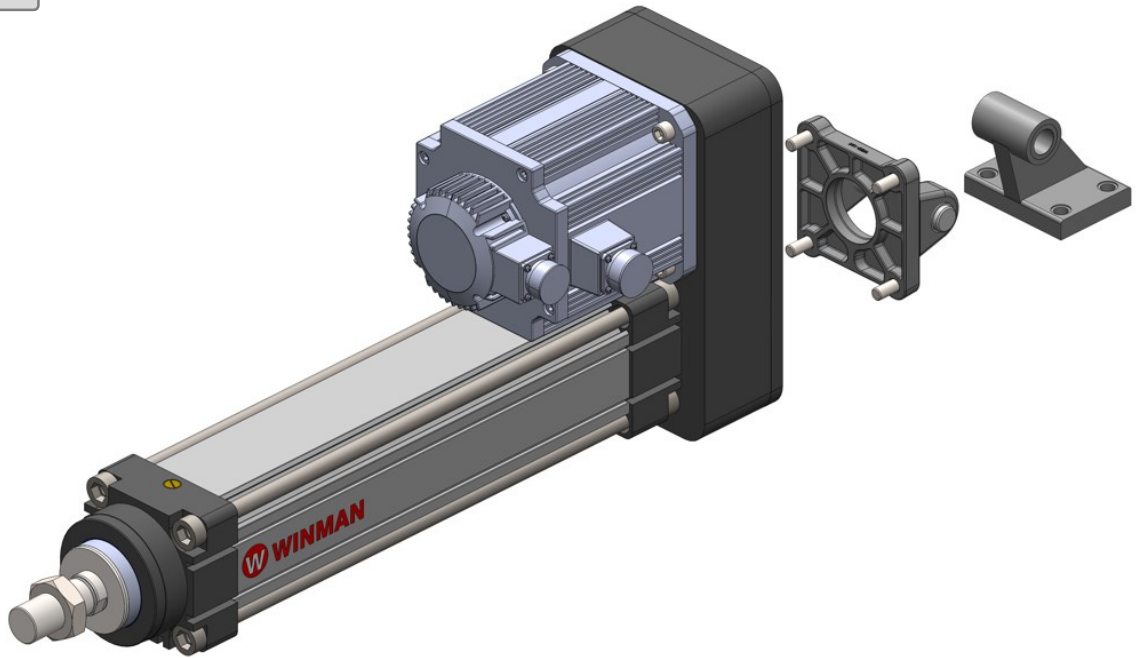


- 1- Parallel Axial Kit
- 2- Linear Actuator
- 3- Motor
- 4- Mounting Thread

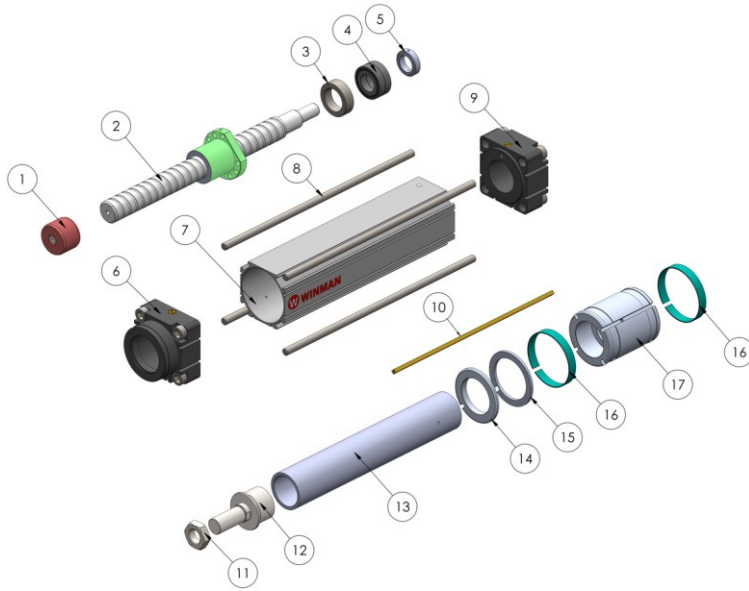
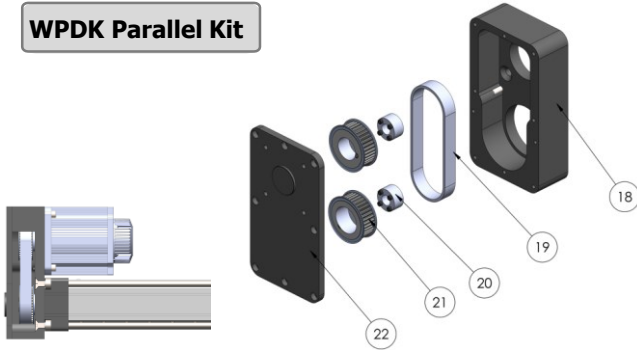
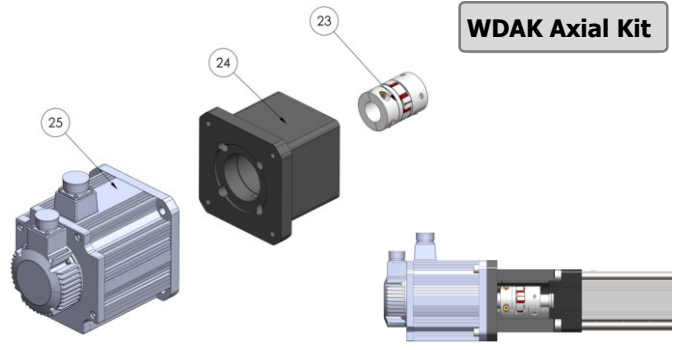
WDAK Axial Mounting Kit

WDAK Swivel Flansch and Clevis Foot Mounting

... - EYB



- 1 - Motor
- 2 - Parallel Kit
- 3 - Linear Actuator

Assembly
WLA4 Linear Actuator

WPKD Parallel Kit

WDAK Axial Kit


Piece+2	Qty	Part Name	Assembly
1	1	Ball Screw Bearing	Actuator
2	1	Ball Screw	
3	1	Bearing Nut	
4	1	Bearing	
5	1	Bearing Pressure Nut	
6	1	Front Block	
7	1	Profile	
8	4	Stud	
9	1	Back Block	
10	1	Wedge	
11	1	Connection Nut	
12	1	Connection Nipple	
13	2	Piston Rod	
14	1	Piston Part - 2	
15	1	Magnetic	
16	2	Guide Ring	
17	1	Piston Part - 1	
18	2	Paralel Kit Box	Parallel Mounting
19	1	Timing Belt Pulleys	
20	2	Toothed Belt	
21	2	Trapper Bushing	
22	1	Parallel Kit Cover	
23	1	Coupling	Axial Mounting
24	1	Bellhousing	
25	1	Motor	

Maintenance


Basic lubrication is done in-factory before shipment.

Bearings of the ball screw have been lubricated for life and will not require in-service lubrication under normal operating conditions.

The profile of the linear actuator has port on the top side for access to the lube on the ball nut.

Re-lubrication should be carried out if the defined travel distance is completed or 400 operating hours are reached first. At the end of 2 years, it must be re-lubricated even if the travel distance and working hours are not reached.

For lubrication; set linear actuator to zero stroke position. Remove the grubs in the lubrication port lubricate the amount indicated in the table and replace the glue after lubrication, move the linear actuator at least three times along the stroke distance. the travel speed must not exceed 10 mm / s.

Linear actuators must be lubricated with suitable grease.

Lithium soap grease should be used.

Caution: Do not use grease containing graphite or MoS!

Lubrication quantity is provided in table by normal operating conditions.

Normal Working Conditions

Note : The lubrication quantity specified in the table is valid for normal operating conditions. The lubrication quantity may vary in different operating conditions. Get information for the lubrication quantity in different working conditions.

Ambient Temperature	°C	10 ~ 40
Speed	m/s	≤ 0,4
Screw Rotation Speed	kN	≤ 0,2 C
Load	N	≤ 0,2 P
Stroke	mm	> 60

Lubrication

Actuator Model		WLA4-125
Lubrication Period	km	600
	h	400
Lubrication Dose	cm³	3,7

Our company has the right to modify change images, dimensions and other datas which take place in this catalogue.