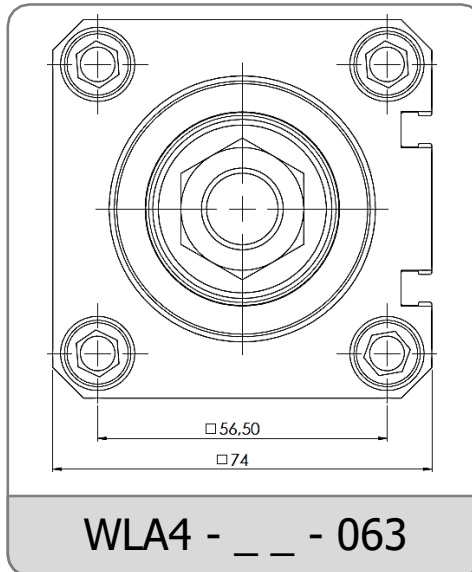


Ordering Code

WLA4 - **BS** - **063** - _ _ _ - _ _ - _ _ - _ _ - _ _ - _ _
1 2 3 4 5 6 7 8
 Model Drive Unit Size Stroke Pitch Mounting Kit Model Mounting Kit Assembly Assembly Accessories

1-Model
WLA4: Series Linear Actuators

2-Drive Unite
BS: Ball Screw

3-Size

4-Stroke
0000 : Maximum 600 mm

Movement Stroke

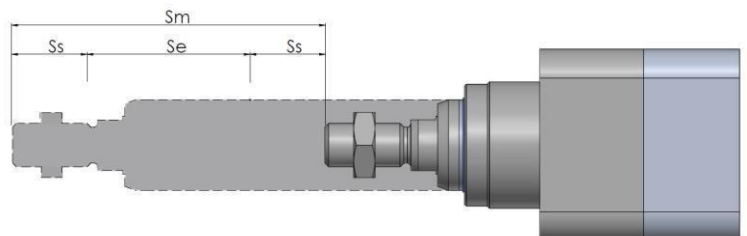
In addition to the desired movement stroke, it is recommended to leave a space on both sides until 2 x Pitch.

$$S_m = S_e + 2 \times S_s$$

$$S_s = 2 \times p$$

S_m : Movement Stroke

S_e : Safety Stroke

P : Ball Screw Pitch


Ordering Code
WLA4 - BS - 063 -

1	2	3	4	5	6	7	8
Model	Drive Unit	Size	Stroke	Pitch	Mounting Kit Model	Mounting Kit Assembly	Assembly Accessories

5-Pitch

Drive Unit	Ball Screw		
Actuator Model	5	10	25
WACE - _ _ - 063	+	+	+

6-Mounting Kit Model

00: Without Mounting (Standart)	WDAK : Axial Kit	WDPK : Parallel Kit

Note 1 : Please contact for different motor types and mounting sizes.

Note 2 : Please contact for to use gearbox.

7-Mounting Kit Assembly

00: Without Motor (Standart)	070: Ø70 Motor Mounting	090: Ø90 Motor Mounting

8-Assembly Accessories**Front Mounting**

... - WKA



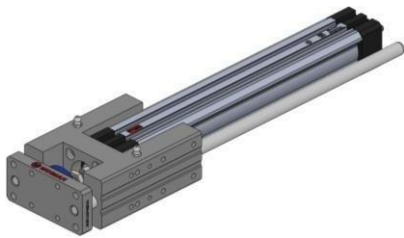
... - WGM



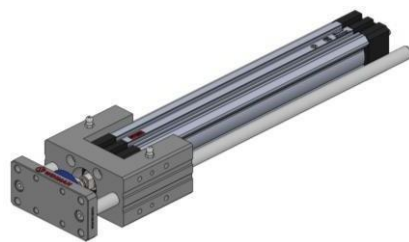
... - WCB



... - WHCR B



... - WUCR B

**Mounting for Axial Kit**

... - FTC



... - WFB



... - WAB

**Mounting for Parallel Kit**

... - FTC



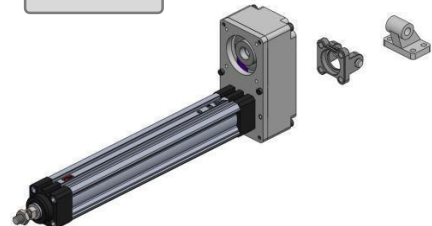
... - WFB

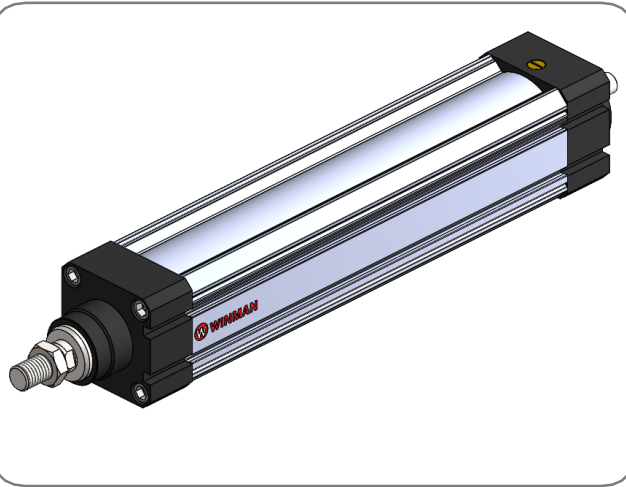


... - WAB



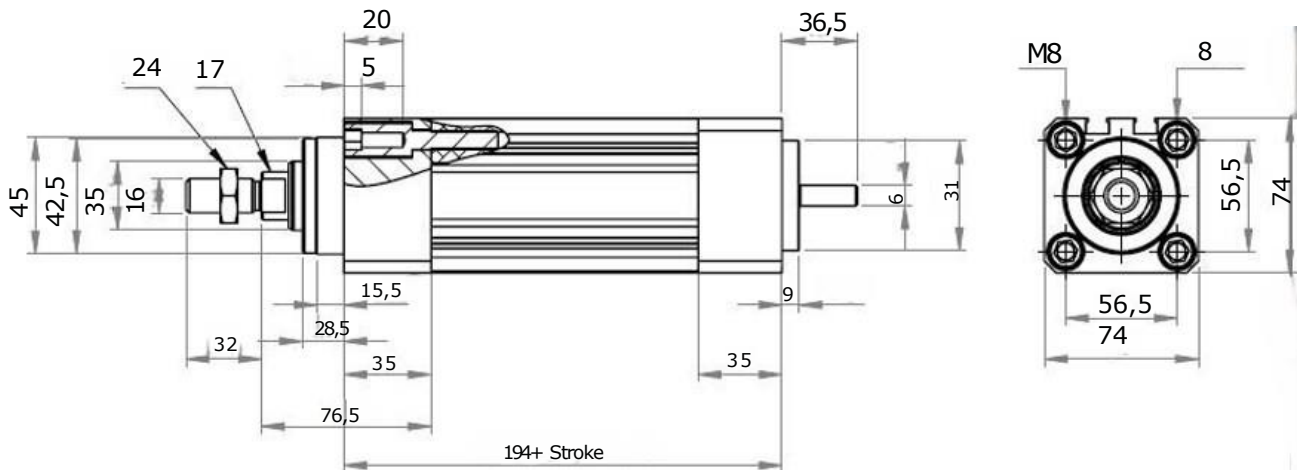
... - EYB



WINMAN WLA4-063 Series Linear Actuators


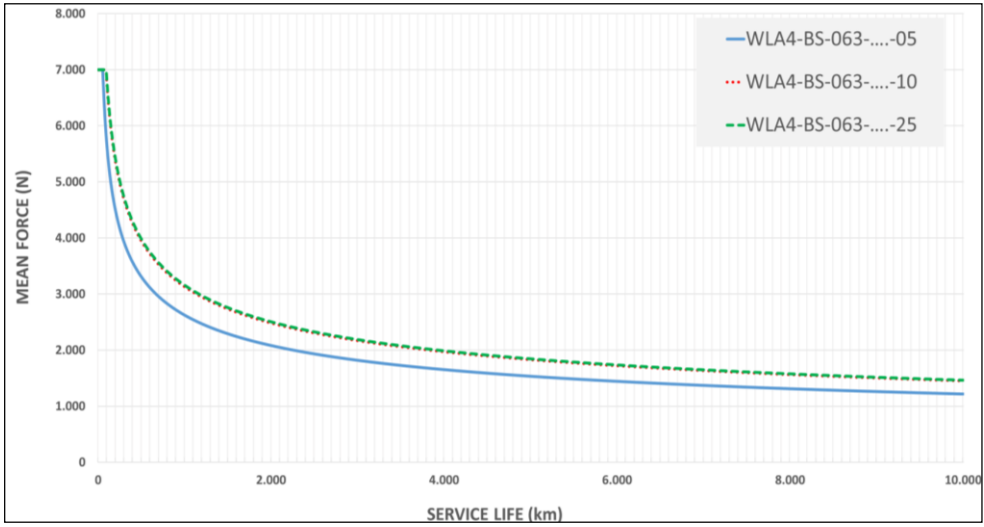
Specification				
Size		063		
Ball Screw Lead		005	010	025
Maximum Axial Force	N	7000		6000
Maximum Speed	m/s	0.25	0.50	1.25
Maximum Stroke	mm	600		
Position Accuracy	$\mu\text{m}/\text{mm}$	53/300		
Repeating Accuracy	mm	<0.05		
Acceleration	m/s^2	10		

Note : Calculated value are theoretical values. We recommend you to calculate safety factor as five (5).

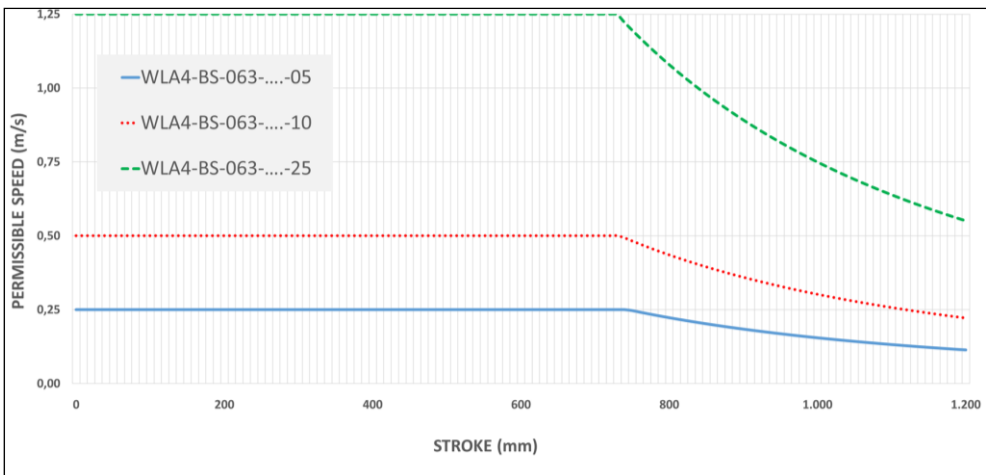
Technical Drawing


Technical Data

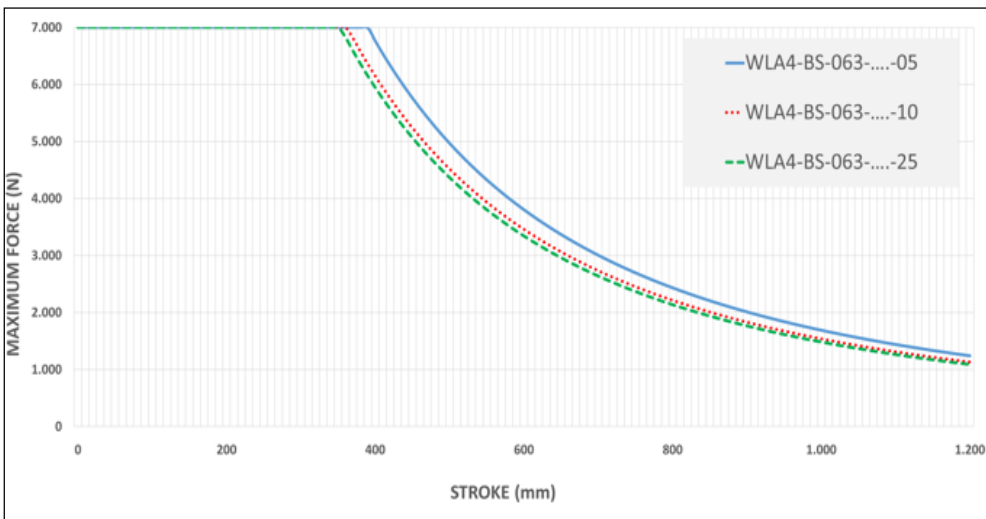
Mean Force/Service Life

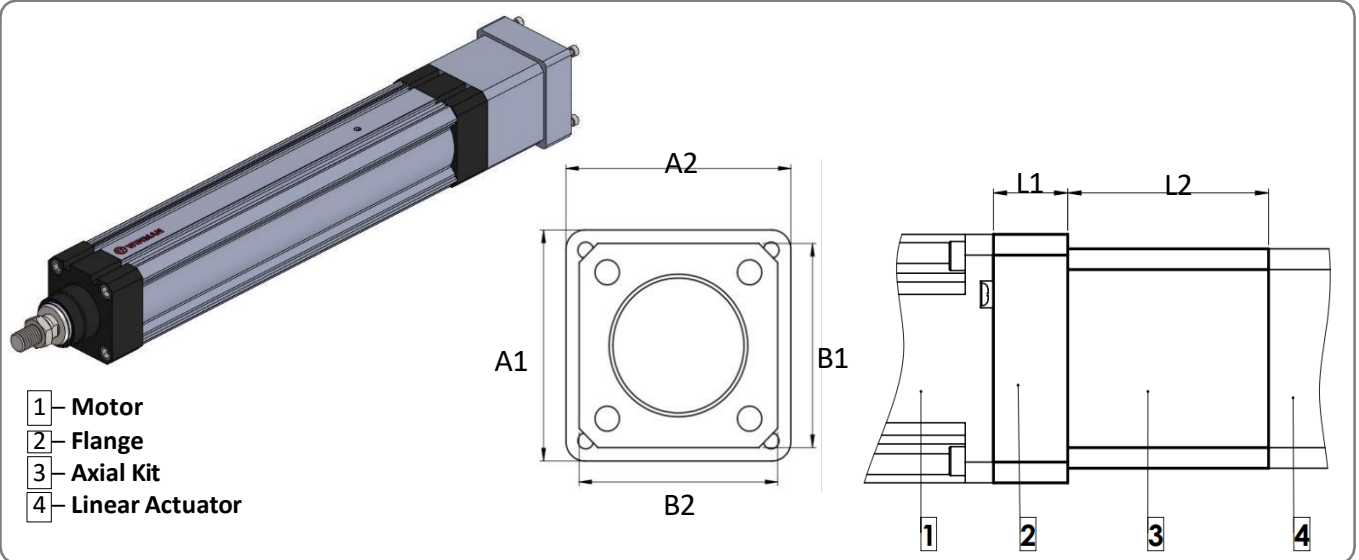


Permissible Speed/Stroke

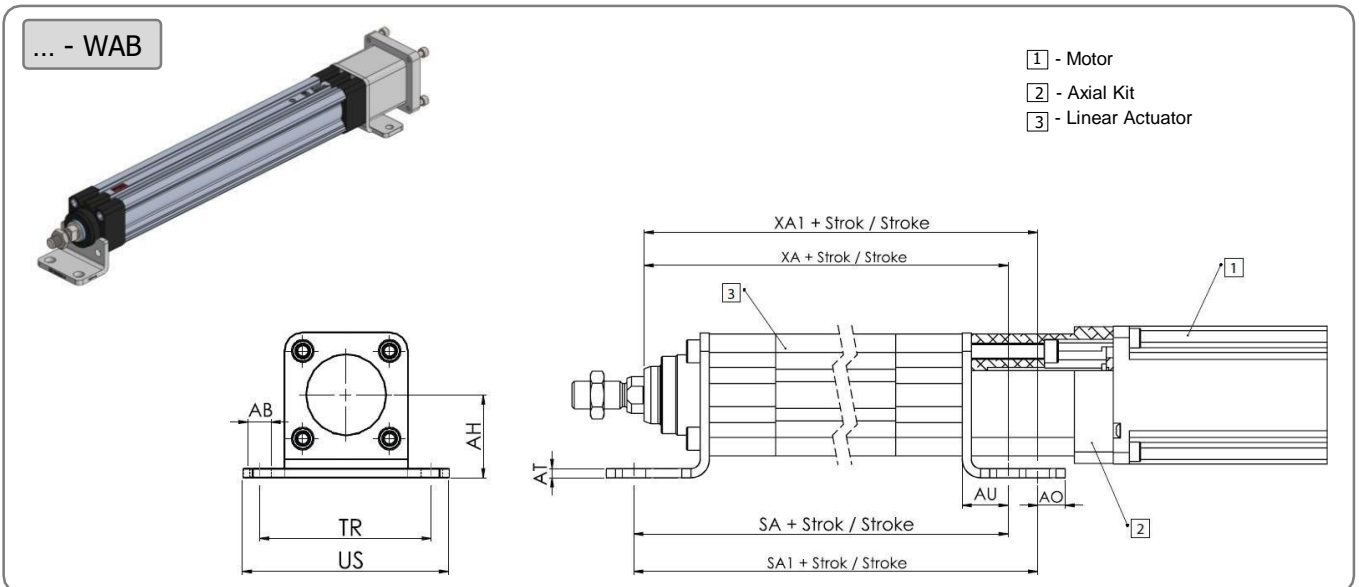


Maximum Force/Stroke



WDAK Axial Mounting Kit
Technical Drawing


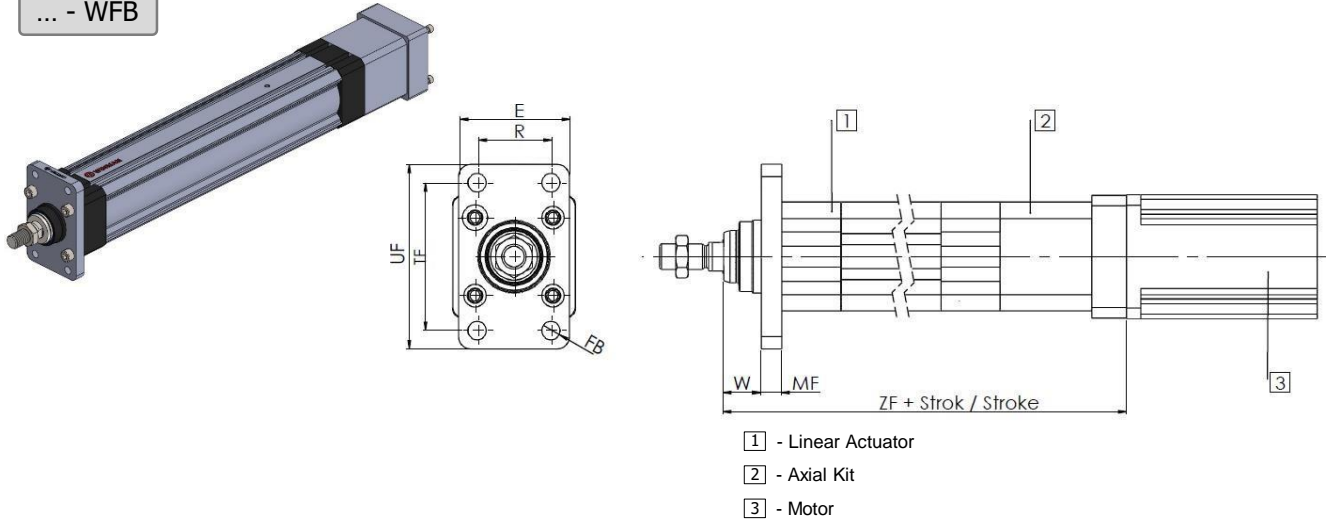
Size	A1	A2	B1	B2	L1	L2
063	80	80	74	74	29	65

WDAK Axial Mounting Kit


Size	∅AB	AH	AO	AT	AU	SA	SA1	TR	US	XA	XA1
063	10	50	10	6	20	247	266	100	120	247	266

WDAK Axial Mounting Kit
WDAK Flansh Mounting

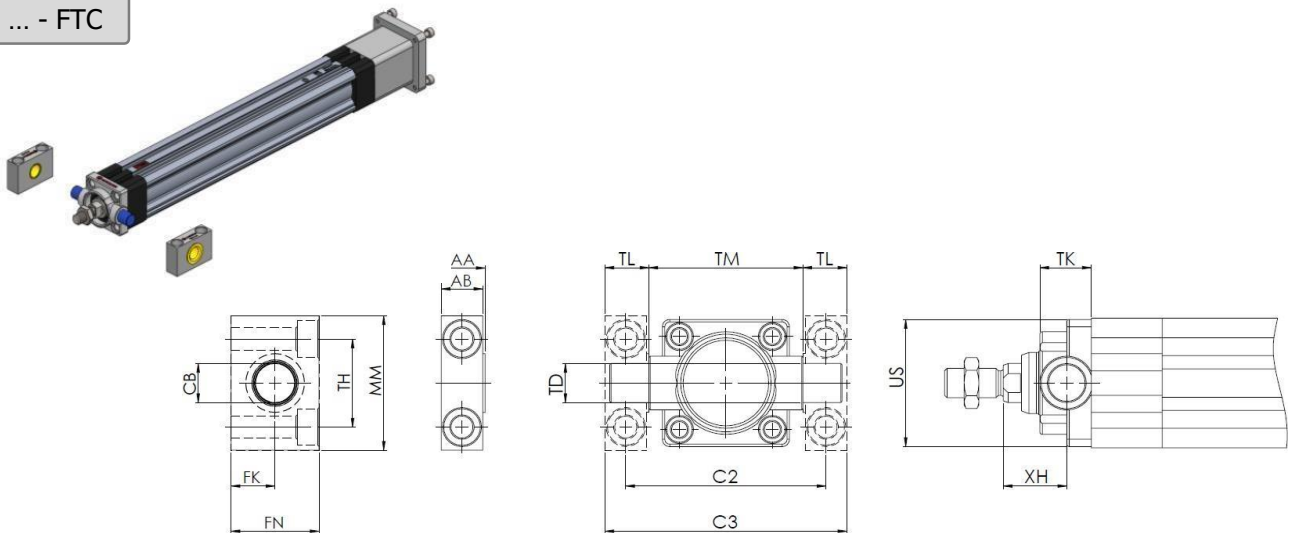
... - WFB



Size	E	FB	MF	R	TF	UF	W	ZF
063	76	9	12	50	100	120	22	311

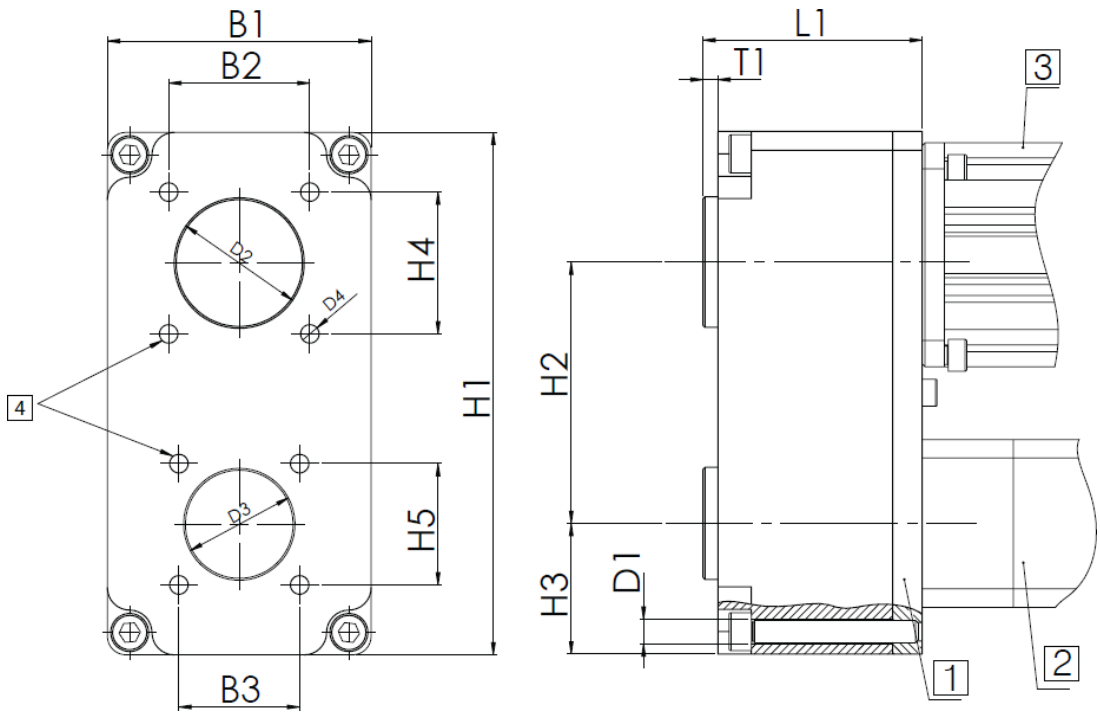
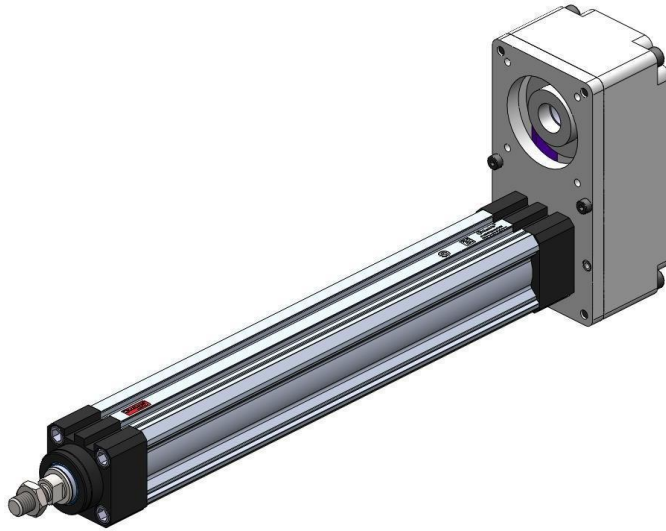
WDAK Axial Mounting Kit

... - FTC



Size	AA	AB	C2	C3	CB	FK	FN	MM	TD	TH	TK	TL	TM	US	XH
063	21,5	20,5	113,5	134	20	20	40	65	20	42	63	20	90	74	29,5

WDPK Parallel Mounting Kit

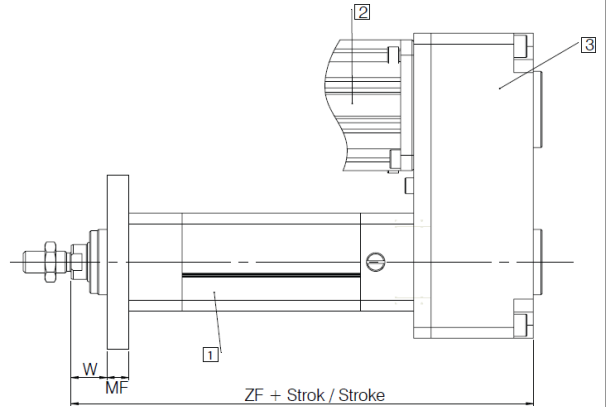
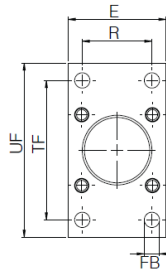
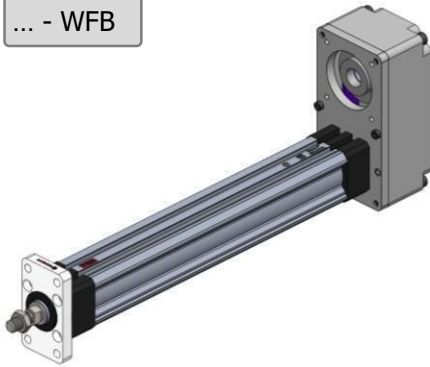


- 1 - Parallel Kit
- 2 - Linear Actuator
- 3 - Motor
- 4 - Mounting Thread

Size	L1	T1	B1	B2	B3	D1	D2	D3	D4	H1	H2	H3	H4	H5
063	64	4	86	-	56,5	M6	-	45	M8	168	85	40,5	-	56,5

WDPK Axial Mounting Kit
WDPK Flansh Mounting

... - WFB

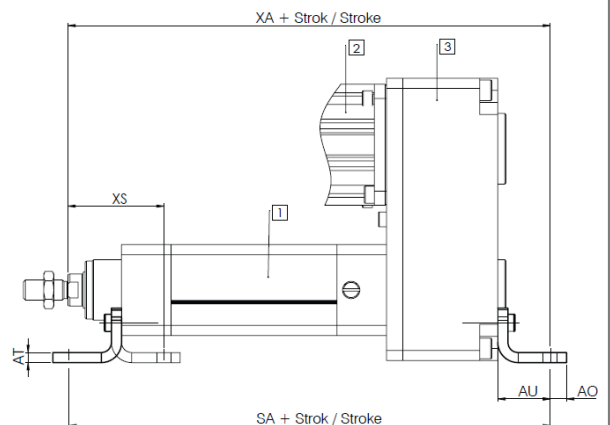
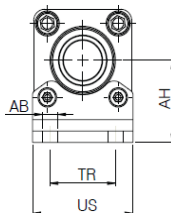
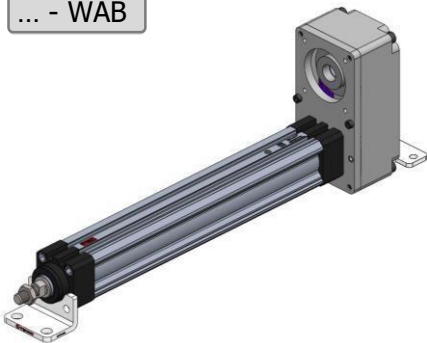


- 1 - Linear Actuator
- 2 - Motor
- 3 - Parallel Kit

Size	E	ØFB	MF	R	TF	UF	W	ZF
063	75	9	12	50	100	120	29,5	285,5

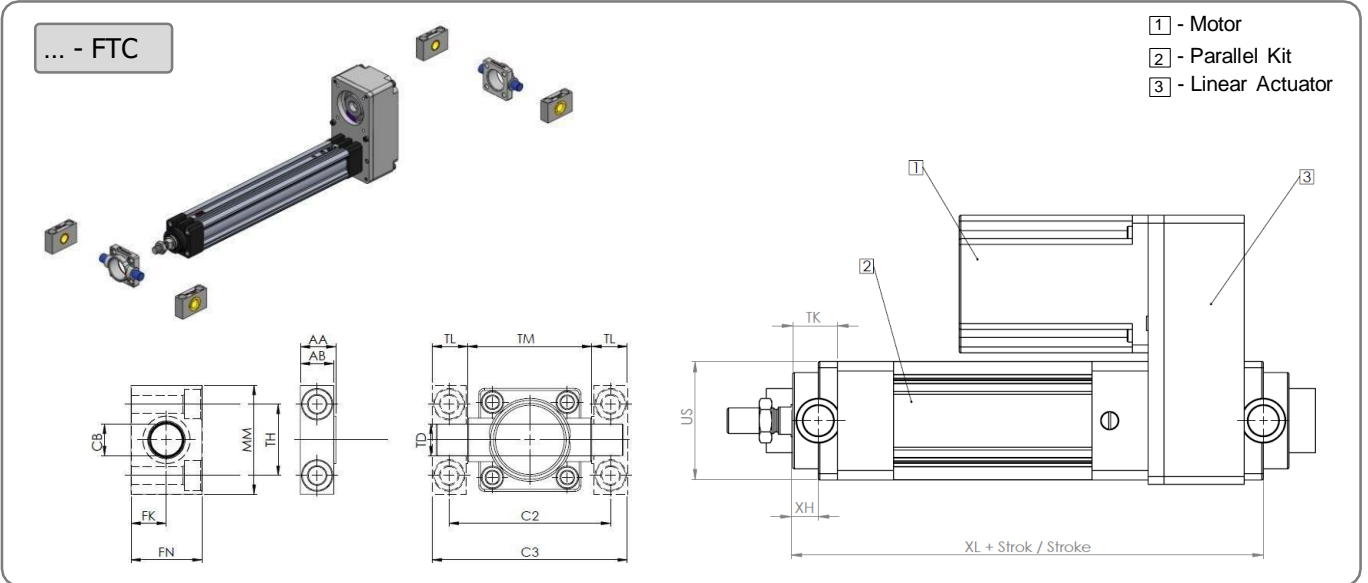
WDPK Foot Mounting

... - WAB

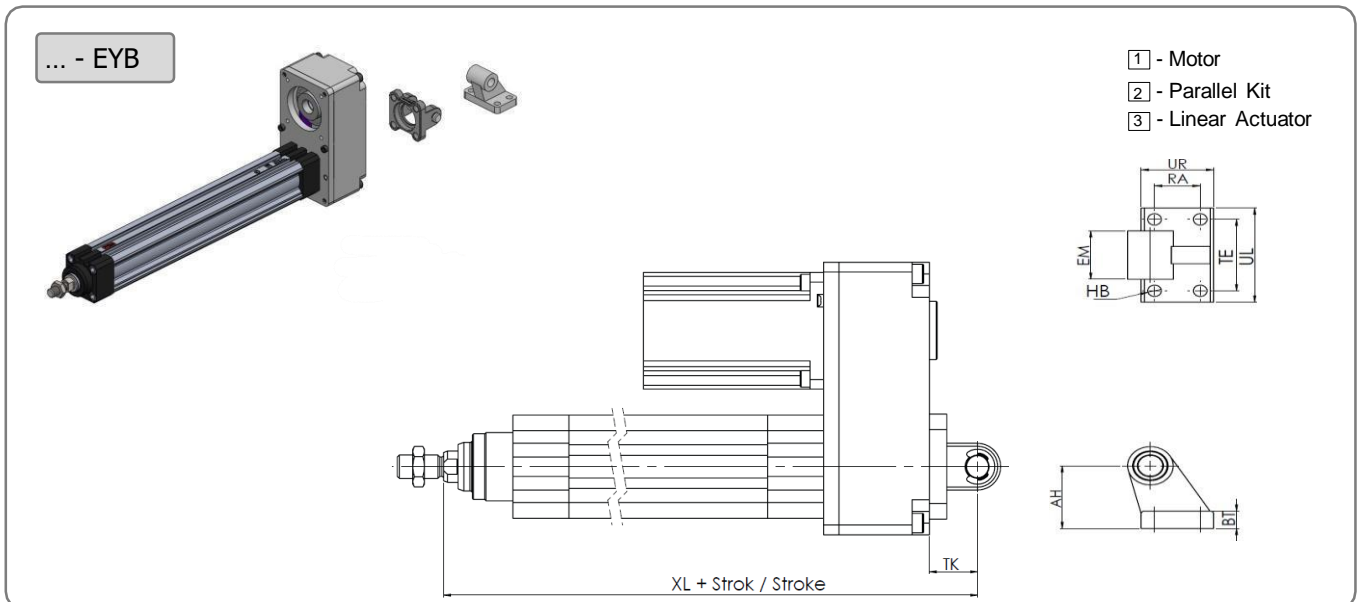


- 1 - Linear Actuator
- 2 - Motor
- 3 - Parallel Kit

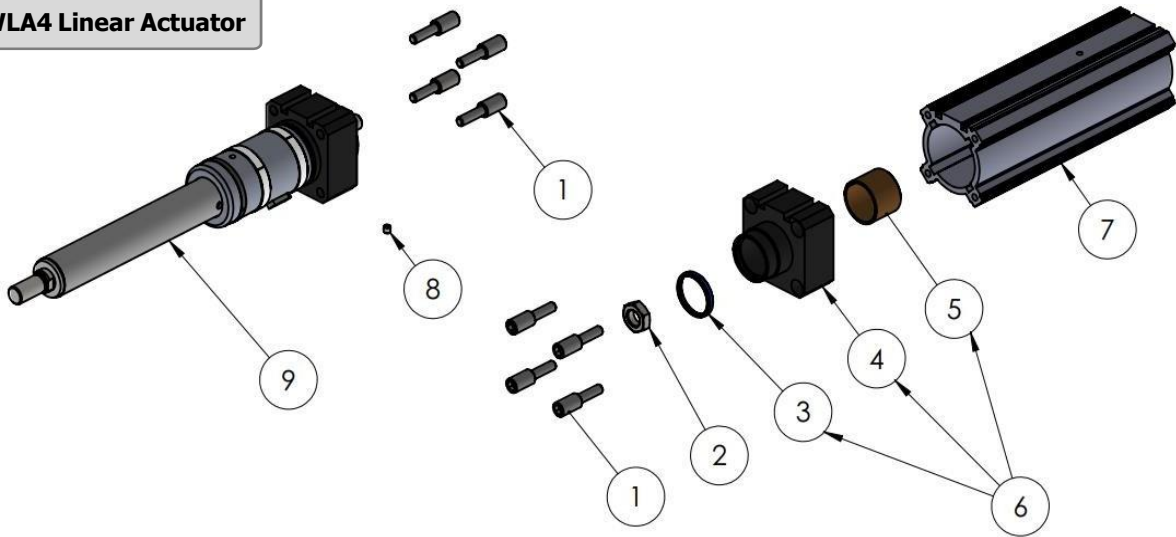
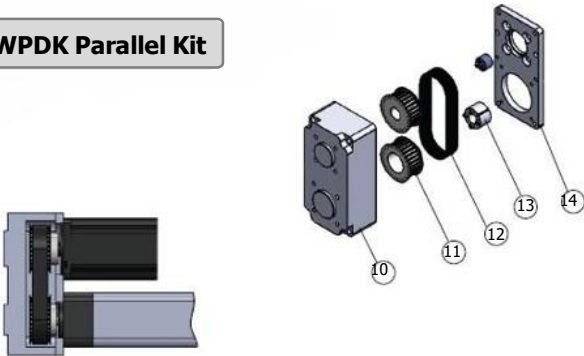
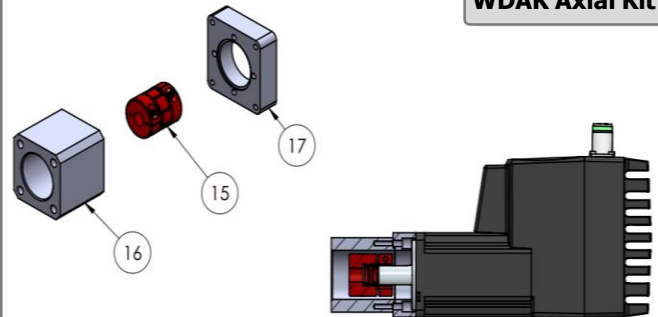
Size	AB	AH	AO	AT	AU	SA	TR	US	XA	XS
063	10	50	12,5	6	32	316,5	50	75	324	64

WDPK Parallel Mounting Kit
WDPK Swivel Mounting


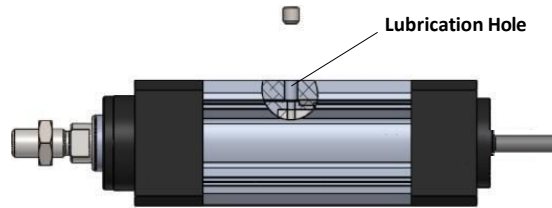
Size	AA	AB	C2	C3	C B	FK	FN	MM	TD	TH	TK	TL	TM	US	XH	XL
063	21,5	20,5	113,5	134	20	20	40	65	20	42	28	20	90	74	29,5	294

WDPK Foot Mounting


Size	AH	BT	EM	HB	RA	TE	UL	UR	XL
063	50	12	40	9	30	50	65	50	323

Assembly
WLA4 Linear Actuator

WPKD Parallel Kit

WDAK Axial Kit


Piece	Qty	Part Name	Assembly
1	8	Bolt	Actuator
2	1	Connection Nut	
3	1	Wiper	
4	1	Back Block	
5	1	Bushing	
6	1	Front Block Group Assembly	
7	1	Profile	
8	1	Nipple	Parallel Mounting
9	1	Ball Screw Group Assembly	
10	2	Parallel Kit Cover	
11	1	Timing Belt Pulleys	
12	1	Toothed Belt	Axial Mounting
13	1	Taper Bushing	
14	1	Parallel Kit Cover	
15	1	Coupling	Axial Mounting
16	1	Bellhousing	
17	1	Flansh	

Maintenance


Basic lubrication is done in-factory before shipment.

Bearings of the ball screw have been lubricated for life and will not require in-service lubrication under normal operating conditions.

The profile of the linear actuator has port on the top side for access to the lube on the ball nut.

Re-lubrication should be carried out if the defined travel distance is completed or 400 operating hours are reached first. At the end of 2 years, it must be re-lubricated even if the travel distance and working hours are not reached.

For lubrication; set linear actuator to zero stroke position. Remove the grubs in the lubrication port lubricate the amount indicated in the table and replace the glue after lubrication, move the linear actuator at least three times along the stroke distance. the travel speed must not exceed 10 mm / s.

Linear actuators must be lubricated with suitable grease.

Lithium soap grease should be used.

Caution: Do not use grease containing graphite or MoS!

Lubrication quantity is provided in table by normal operating conditions.

Normal Working Conditions

Note : The lubrication quantity specified in the table is valid for normal operating conditions. The lubrication quantity may vary in different operating conditions. Get information for the lubrication quantity in different working conditions.

Ambient Temperature	°C	10 ~ 40
Speed	m/s	≤ 0,4
Screw Rotation Speed	kN	≤ 0,2 C
Load	N	≤ 0,2 P
Stroke	mm	> 60

Lubrication

Actuator Model	WLA4-063	
Lubrication Period	km	600
	h	400
Lubrication Dose	cm	2,5

Our company has the right to modify change images, dimensions and other datas which take place in this catalogue.