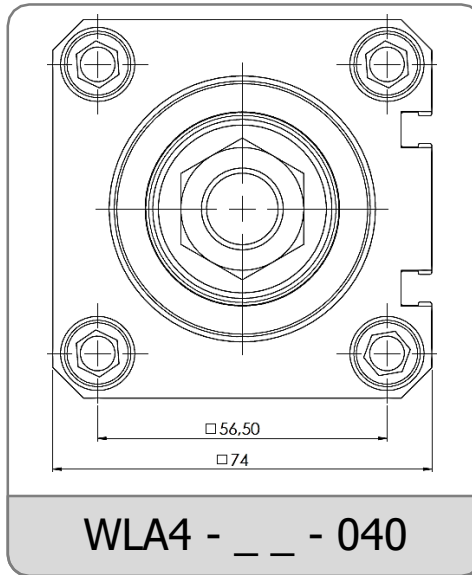


Ordering Code

WLA4 - **BS** - **040** - _ _ _ - _ _ - _ _ - _ _ - _ _
1 2 3 4 5 6 7 8
 Model Drive Unit Size Stroke Pitch Mounting Kit Model Mounting Kit Assembly Assembly Accessories

1-Model
WLA4: Series Linear Actuators

2-Drive Unite
BS: Ball Screw

3-Size

4-Stroke
0000 : Maximum 600 mm

Movement Stroke

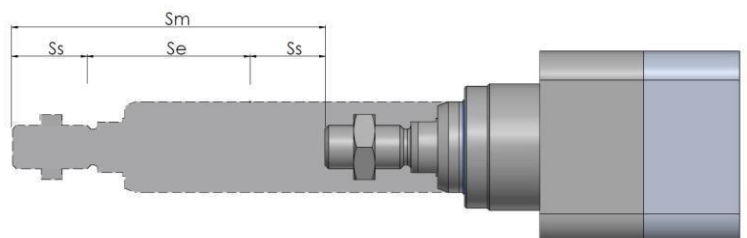
In addition to the desired movement stroke, it is recommended to leave a space on both sides until 2 x Pitch.

$$S_m = S_e + 2 \times S_s$$

$$S_s = 2 \times p$$

S_m : Movement Stroke

S_e : Safety Stroke

P : Ball Screw Pitch





Ordering Code
WLA4 - BS - 040 - _____ - _____ - _____ - _____ - _____

1	2	3	4	5	6	7	8
Model	Drive Unit	Size	Stroke	Pitch	Mounting Kit Model	Mounting Kit Assembly	Assembly Accessories

5-Pitch

Drive Unit	Ball Screw		
Actuator Model	5	10	16
WACE - __ - 063	+	+	+

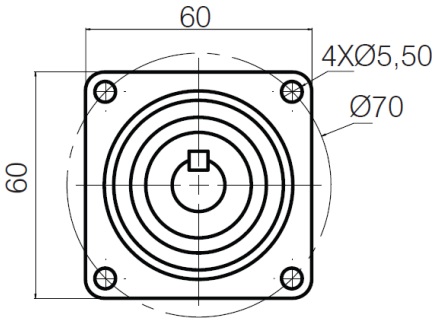
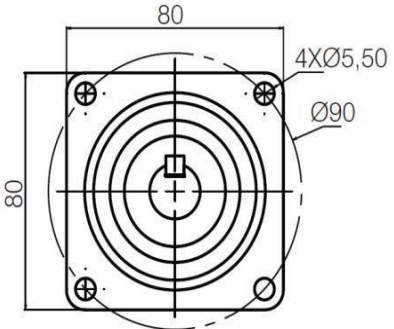
6-Mounting Kit Model

		
00: Without Mounting (Standart)	WDAK : Axial Kit	WDPK : Parallel Kit

Note 1 : Please contact for different motor types and mounting sizes.

Note 2 : Please contact for to use gearbox.

7-Mounting Kit Assembly

		
00: Without Motor (Standart)	070: Ø70 Motor Mounting	090: Ø90 Motor Mounting

8-Assembly Accessories

Front Mounting

... - WKA



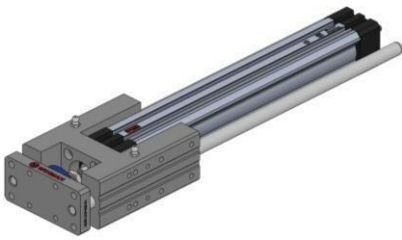
... - WGM



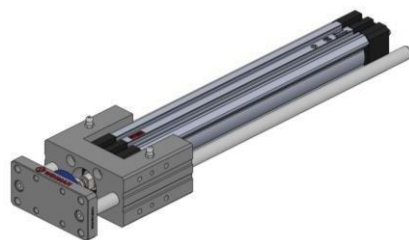
... - WCB



... - WHCR B



... - WUCR B



Mounting for Axial Kit

... - FTC



... - WFB



... - WAB



Mounting for Parallel Kit

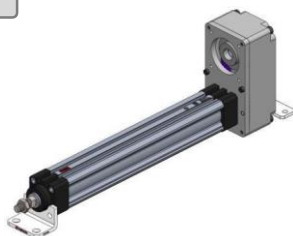
... - FTC



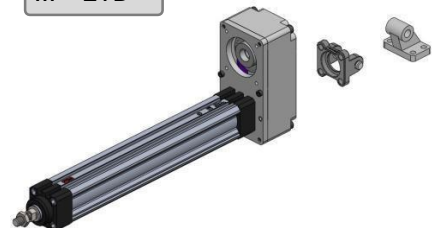
... - WFB

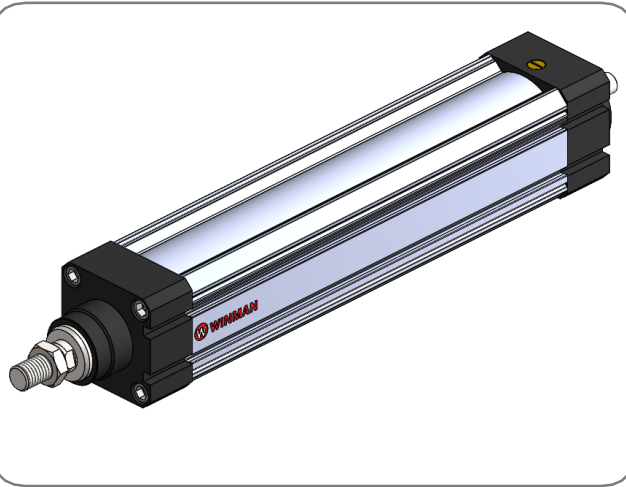


... - WAB



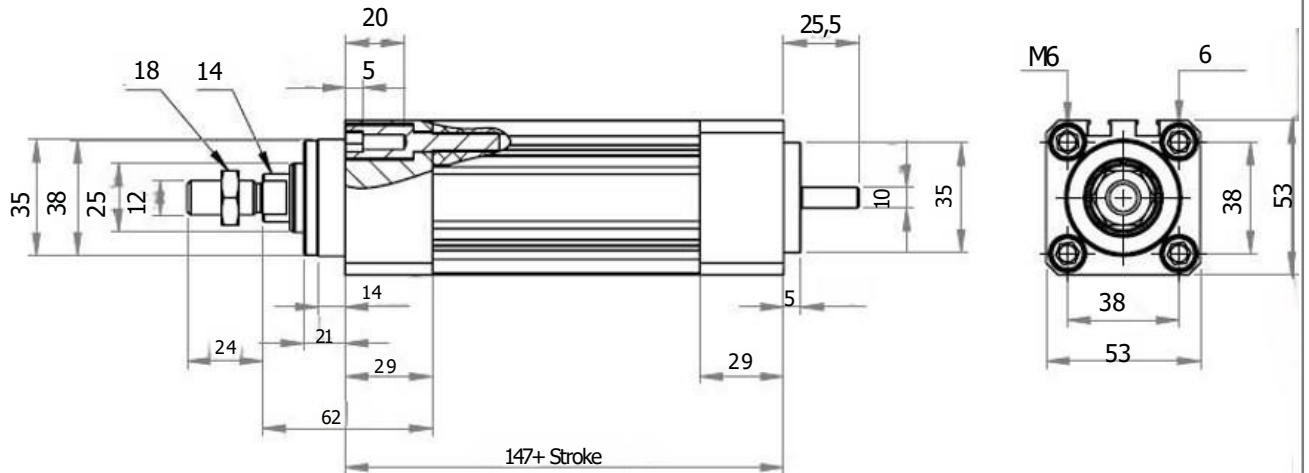
... - EYB



WINMAN WLA4-040 Series Linear Actuators


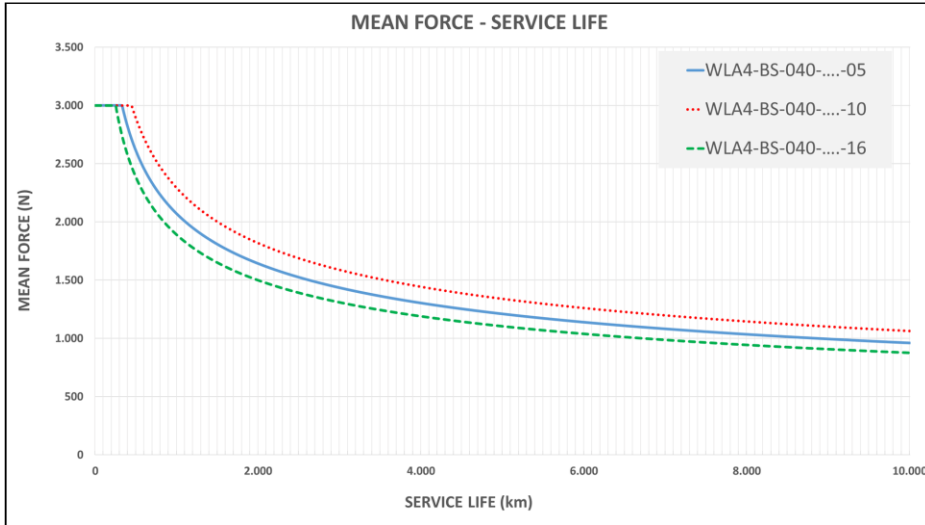
Specification				
Size		040		
Ball Screw Lead		005	010	016
Maximum Axial Force	N	3000		2600
Maximum Speed	m/s	0.35	0.70	1.10
Maximum Stroke	mm	600		
Position Accuracy	$\mu\text{m}/\text{mm}$	53/300		
Repeating Accuracy	mm	< 0,05		
Acceleration	m/s^2	10		

Note : Calculated value are theoretical values. We recommend you to calculate safety factor as five (5).

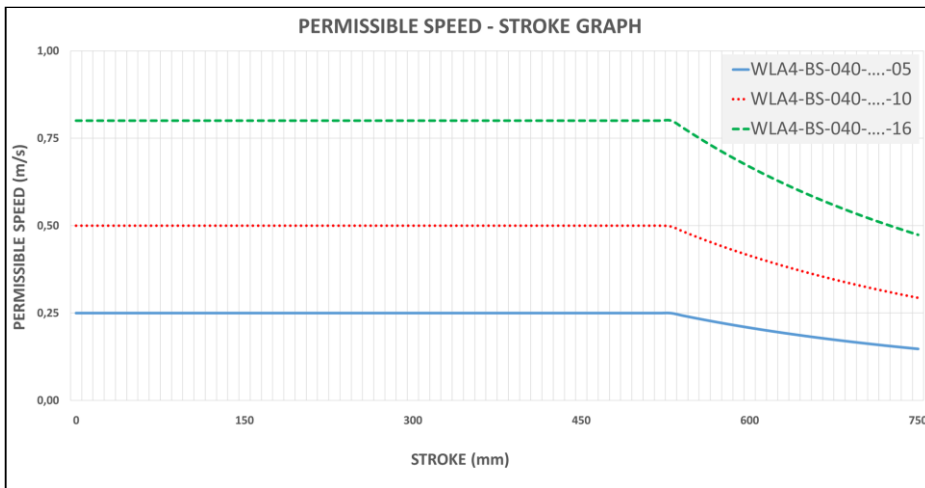
Technical Drawing


Technical Data

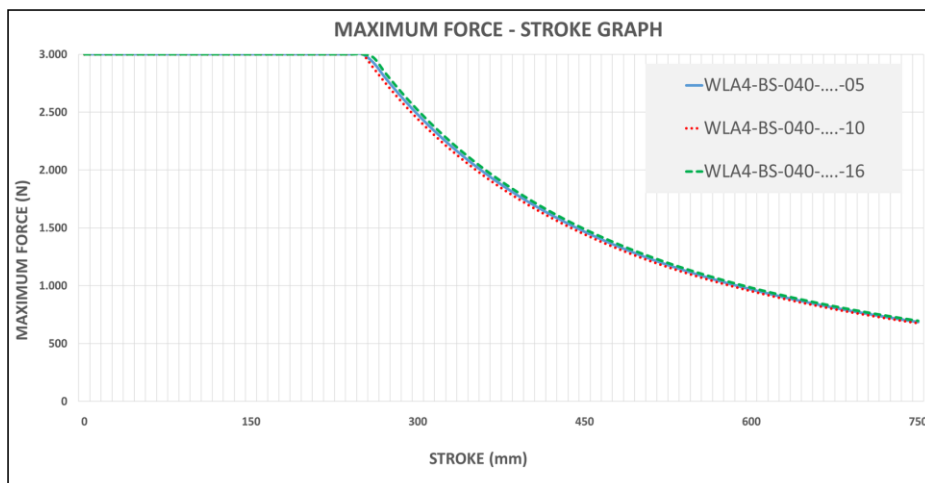
Mean Force/Service Life

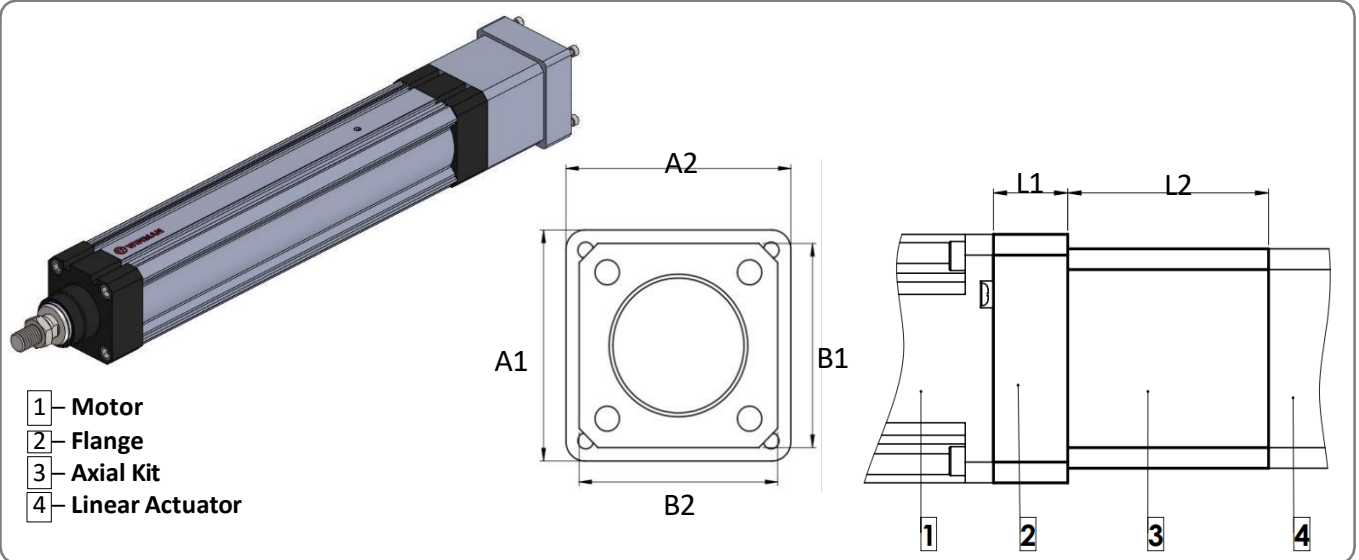


Permissible Speed/Stroke

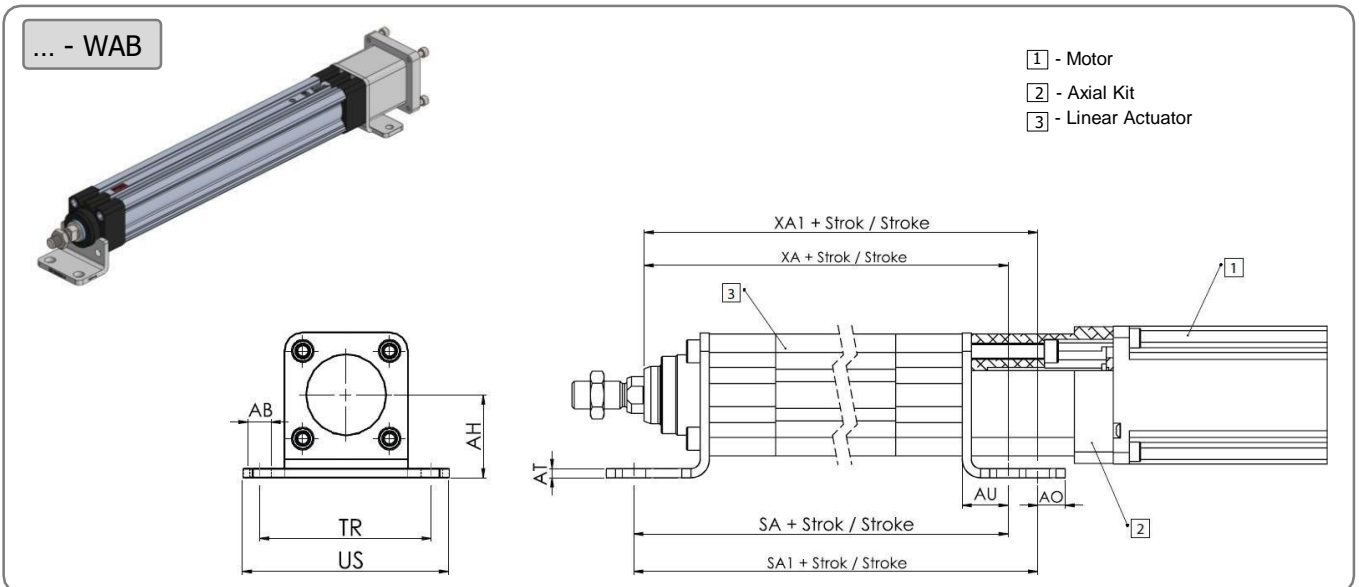


Maximum Force/Stroke



WDAK Axial Mounting Kit
WDAK Technical Drawing


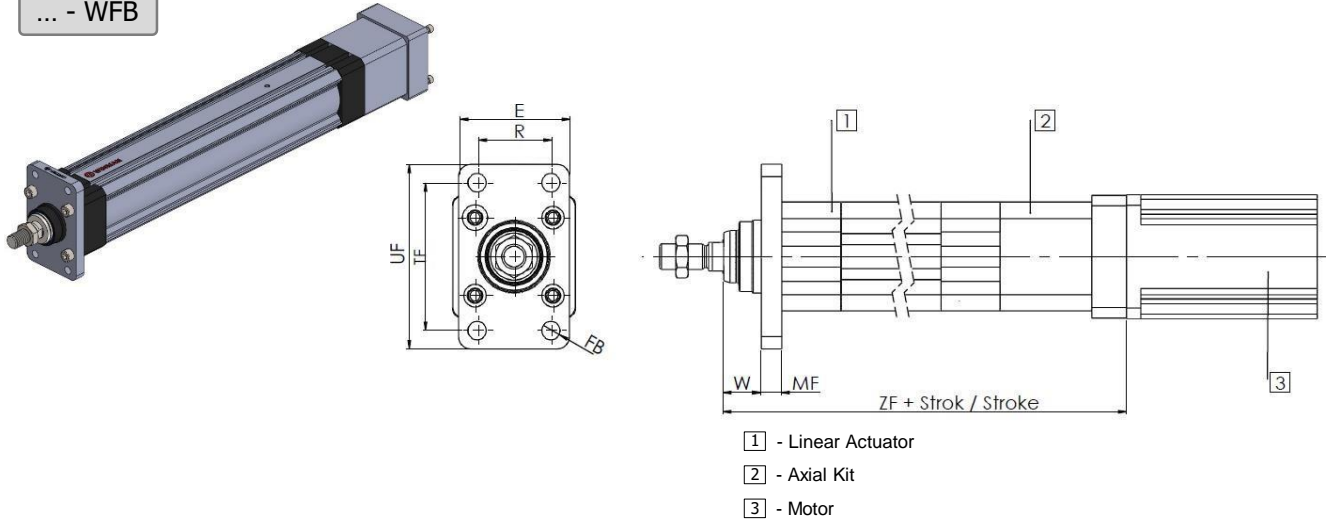
Size	A1	A2	B1	B2	L1	L2
040	60	60	53	53	18,50	50

WDAK Axial Mounting Kit


Size	∅AB	AH	AO	AT	AU	SA	SA1	TR	US	XA	XA1
040	10	36	18,5	5	26,5	277,5	346	75	90	202	220,5

WDAK Axial Mounting Kit
WDAK Flansh Mounting

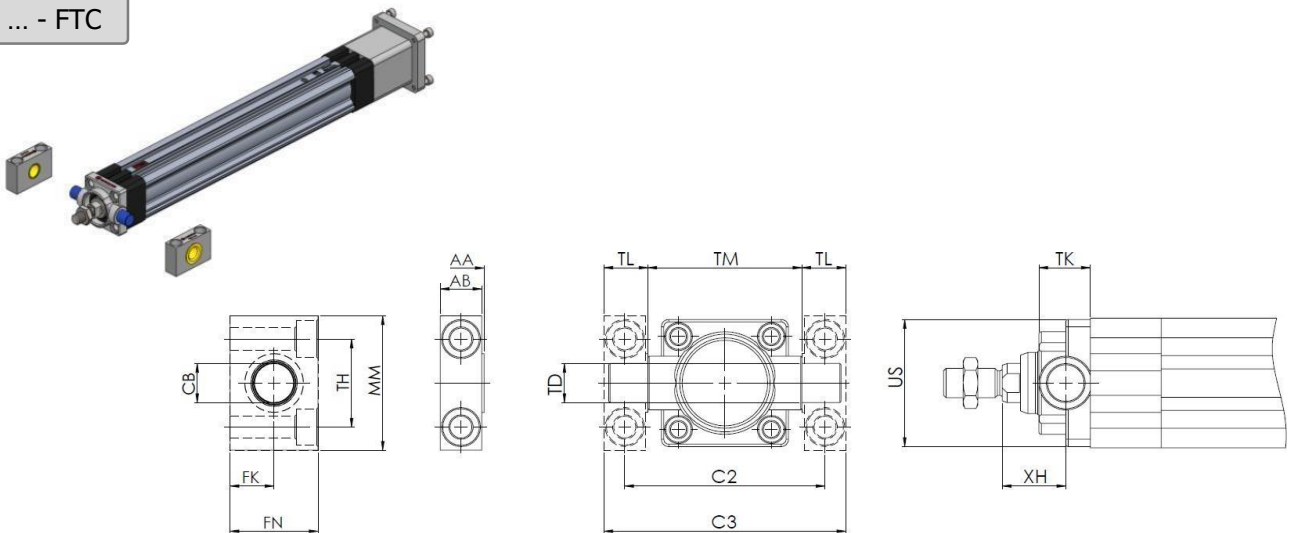
... - WFB



Size	E	FB	MF	R	TF	UF	W	ZF
040	54	9	10	36	72	90	18,5	234

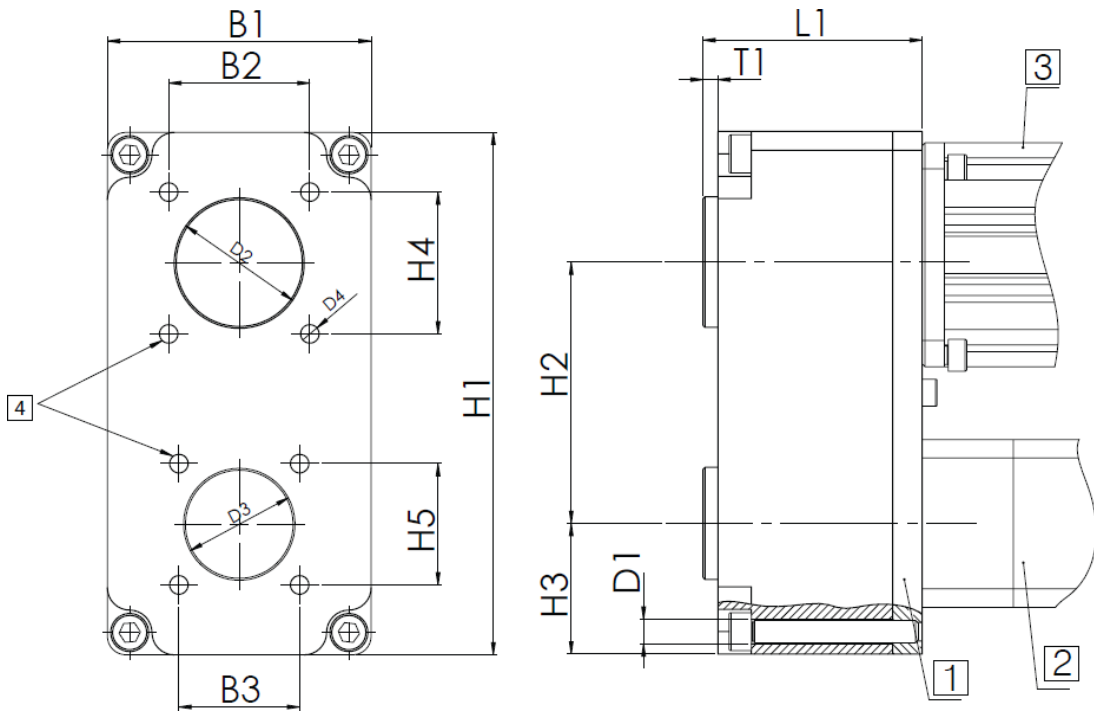
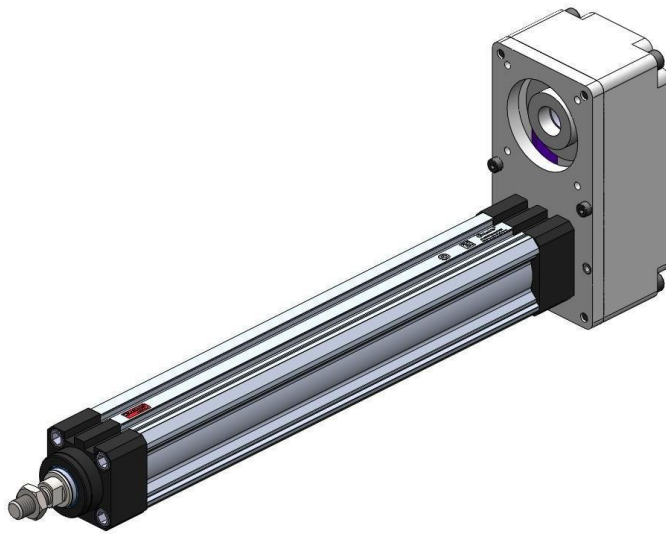
WDAK Axial Mounting Kit

... - FTC



Size	AA	AB	C2	C3	CB	FK	FN	MM	TD	TH	TK	TL	TM	US	XH
040	16	17	82	99	16	18	36	55	16	36	20,5	16	63	52	26

WDPK Parallel Mounting Kit

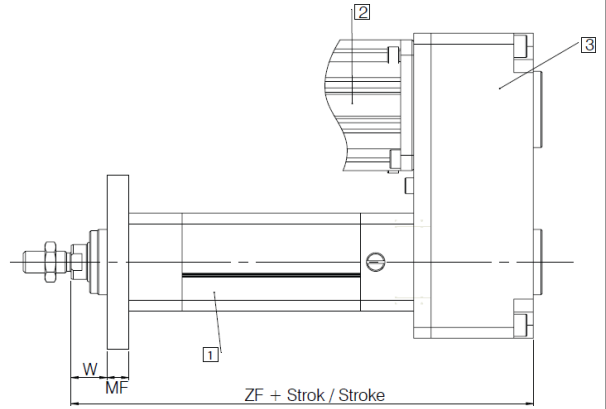
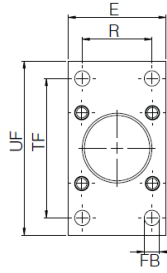
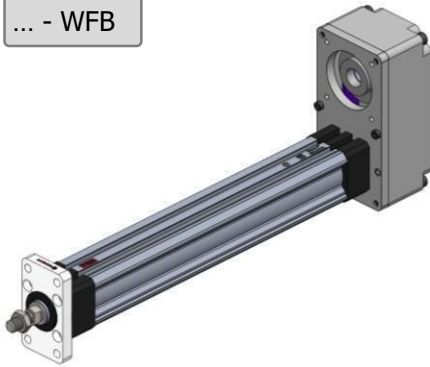


- 1 - Parallel Kit
- 2 - Linear Actuator
- 3 - Motor
- 4 - Mounting Thread

Size	L1	T1	B1	B2	B3	D1	D2	D3	D4	H1	H2	H3	H4	H5
040	59	4	71	38	32,5	M6	35	30	M6	140	70	35	38	32,5

WDPK Axial Mounting Kit
WDPK Flansh Mounting

... - WFB

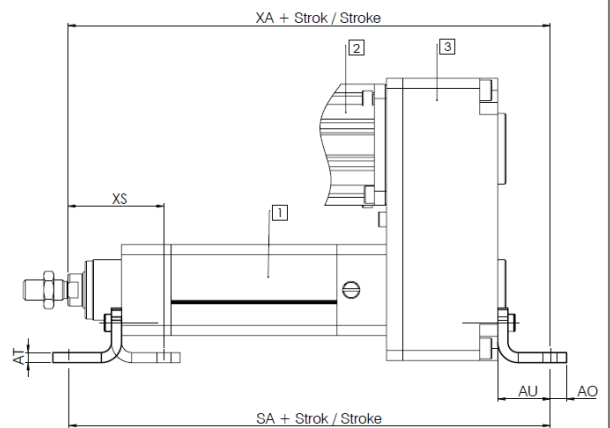
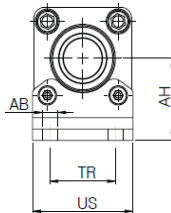
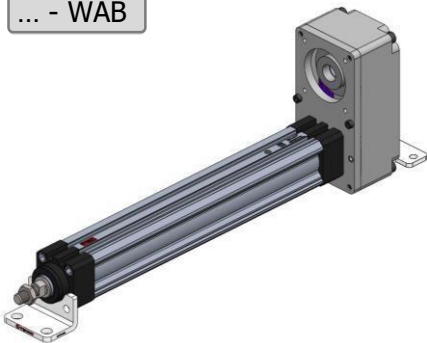


- 1 - Linear Actuator
- 2 - Motor
- 3 - Parallel Kit

Size	E	ØFB	MF	R	TF	UF	W	ZF
040	54	9	10	36	72	90	26	238

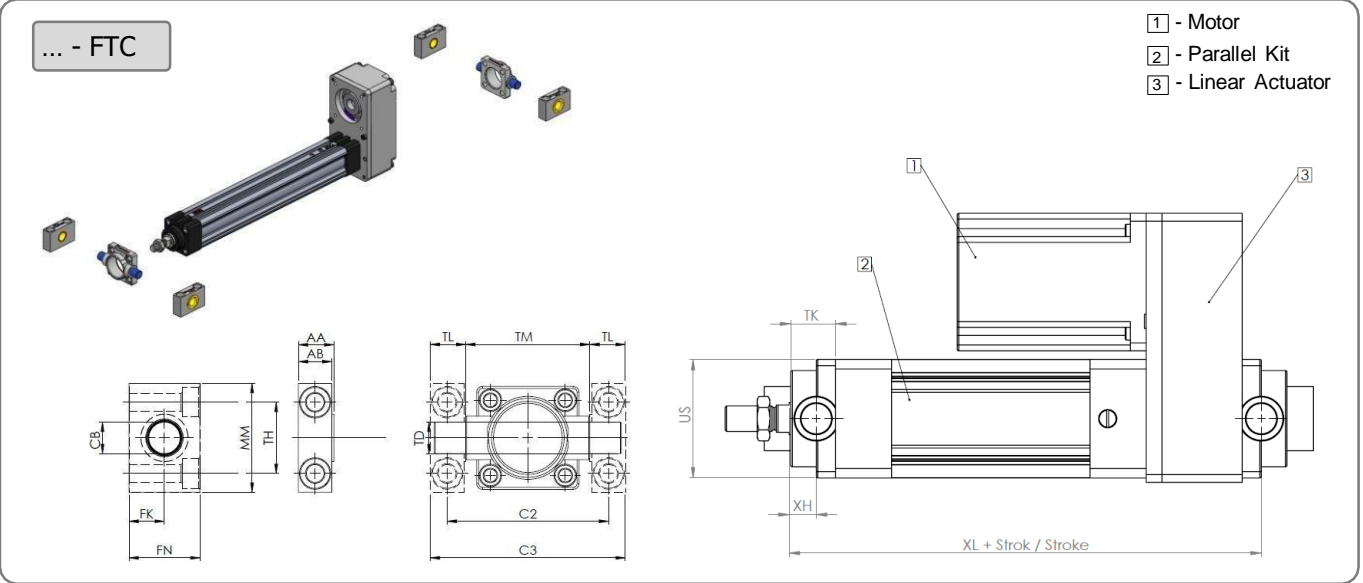
WDPK Foot Mounting

... - WAB

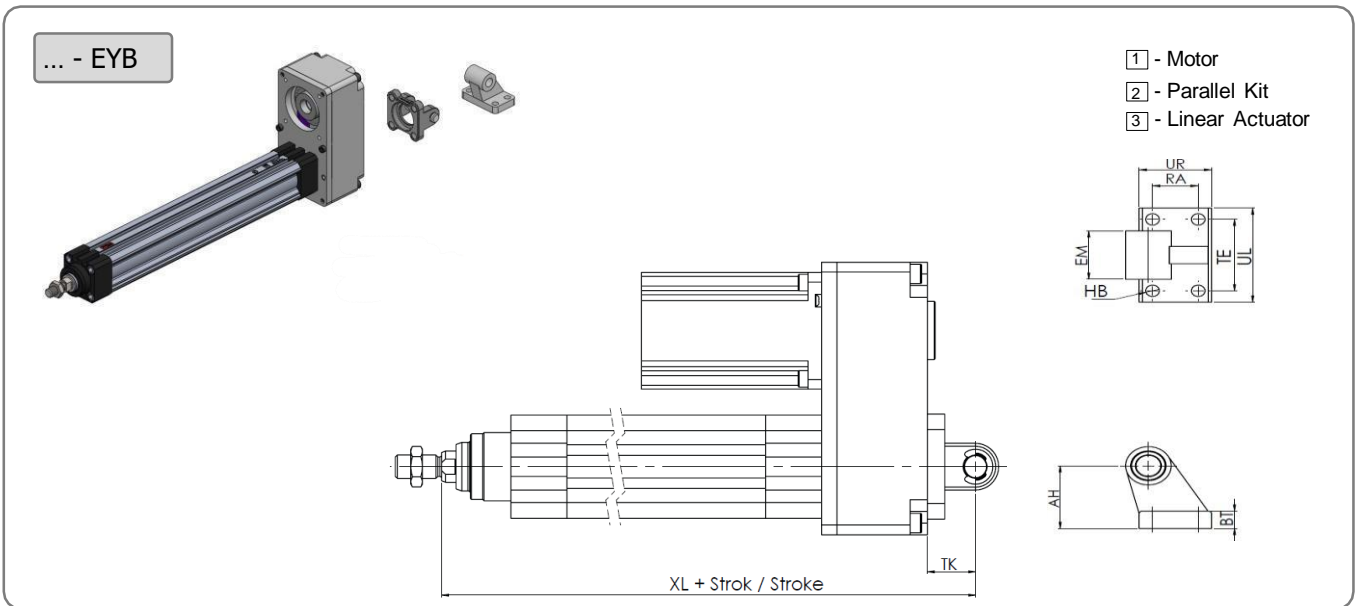


- 1 - Linear Actuator
- 2 - Motor
- 3 - Parallel Kit

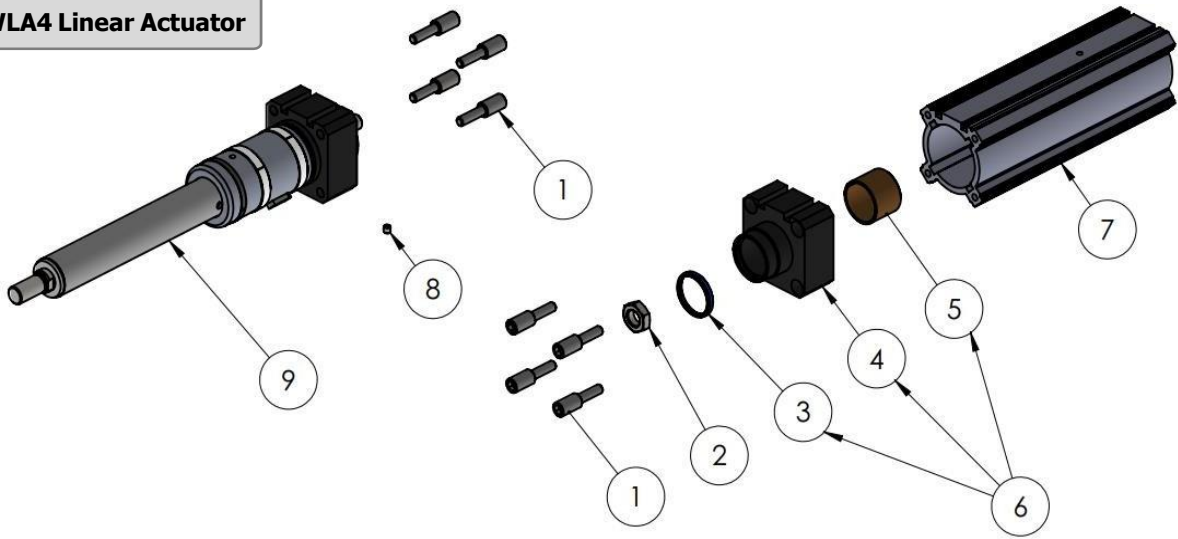
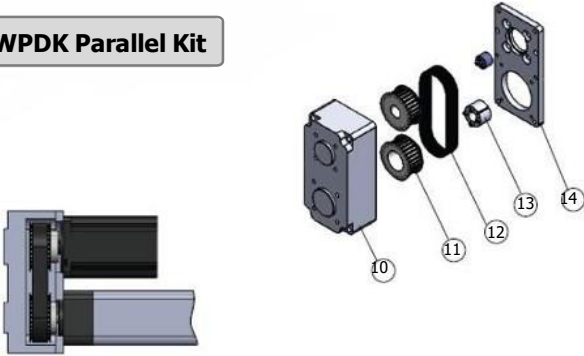
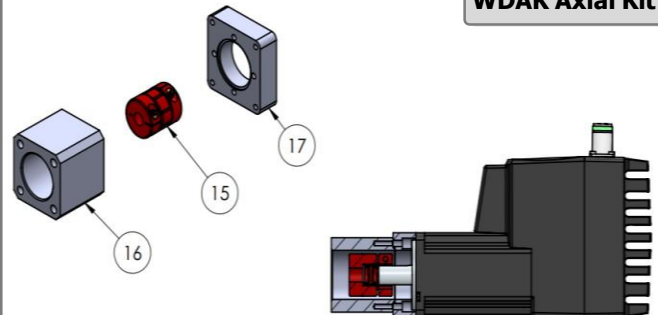
Size	AB	AH	AO	AT	AU	SA	TR	US	XA	XS
040	10	36	9	5	29	252,5	36	54	254	59,5

WDPK Parallel Mounting Kit
WDPK Swivel Mounting


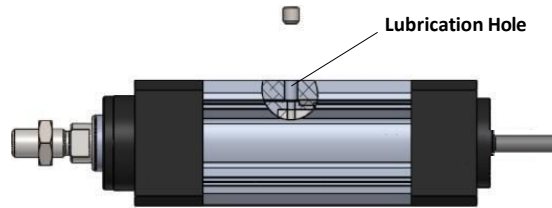
Size	AA	AB	C2	C3	C B	FK	FN	MM	TD	TH	TK	TL	TM	US	XH	XL
040	16	17	82	99	16	18	36	55	16	36	21	16	63	52	26	228,5

WDPK Foot Mounting


Size	AH	BT	EM	HB	RA	TE	UL	UR	XL
040	36	10	28	6,5	22	41	54	35	252,75

Assembly
WLA4 Linear Actuator

WPKD Parallel Kit

WDAK Axial Kit


Piece	Qty	Part Name	Assembly
1	8	Bolt	Actuator
2	1	Connection Nut	
3	1	Wiper	
4	1	Back Block	
5	1	Bushing	
6	1	Front Block Group Assembly	
7	1	Profile	
8	1	Nipple	Parallel Mounting
9	1	Ball Screw Group Assembly	
10	2	Parallel Kit Cover	
11	1	Timing Belt Pulleys	
12	1	Toothed Belt	
13	1	Taper Bushing	Axial Mounting
14	1	Parallel Kit Cover	
15	1	Coupling	
16	1	Bellhousing	
17	1	Flange	

Maintenance


Basic lubrication is done in-factory before shipment.

Bearings of the ball screw have been lubricated for life and will not require in-service lubrication under normal operating conditions.

The profile of the linear actuator has port on the top side for access to the lube on the ball nut.

Re-lubrication should be carried out if the defined travel distance is completed or 400 operating hours are reached first. At the end of 2 years, it must be re-lubricated even if the travel distance and working hours are not reached.

For lubrication; set linear actuator to zero stroke position. Remove the grubs in the lubrication port lubricate the amount indicated in the table and replace the glue after lubrication, move the linear actuator at least three times along the stroke distance. the travel speed must not exceed 10 mm / s.

Linear actuators must be lubricated with suitable grease.

Lithium soap grease should be used.

Caution: Do not use grease containing graphite or MoS!

Lubrication quantity is provided in table by normal operating conditions.

Normal Working Conditions

Note : The lubrication quantity specified in the table is valid for normal operating conditions. The lubrication quantity may vary in different operating conditions. Get information for the lubrication quantity in different working conditions.

Ambient Temperature	°C	10 ~ 40
Speed	m/s	≤ 0,4
Screw Rotation Speed	kN	≤ 0,2 C
Load	N	≤ 0,2 P
Stroke	mm	> 60

Lubrication

Actuator Model	WLA4 - 040	
Lubrication Period	km	400
	h	400
Lubrication Dose	cm	1,3

Our company has the right to modify change images, dimensions and other datas which take place in this catalogue.