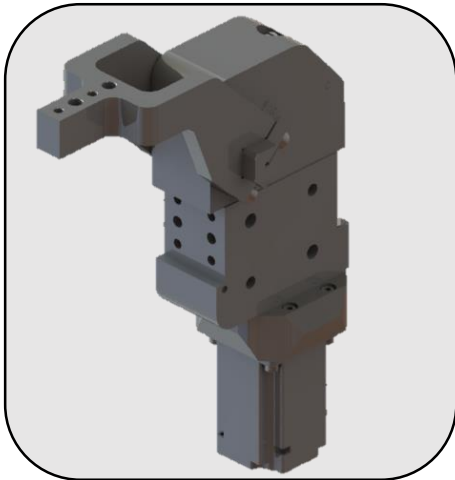


WEPC-063 ELECTRIC POWERCLAMP

WEPC - 063 - 135 - XX - XX - WD10
1

Model

2

Size

3

Angle

4

 Arm
Mounting

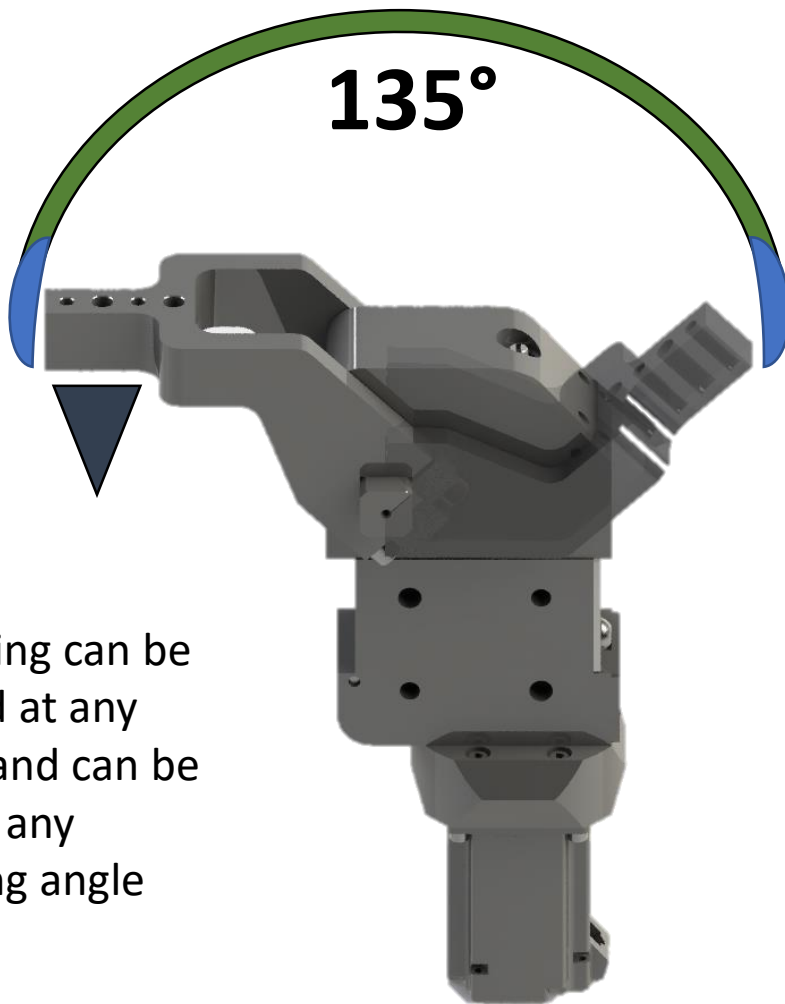
5

 Arm
Version

6

Motor

WEPC-063	Max. Clamping Torque	Max. Holding Torque	Correspond. Piston Ø (mm)	Weight (kg)
WD10	120 Nm (Motor Torque %100)	1500 Nm	Ø63 mm	7,8 kg
	200 Nm (Motor Torque %200)			



Clamping can be started at any angle and can be set for any opening angle



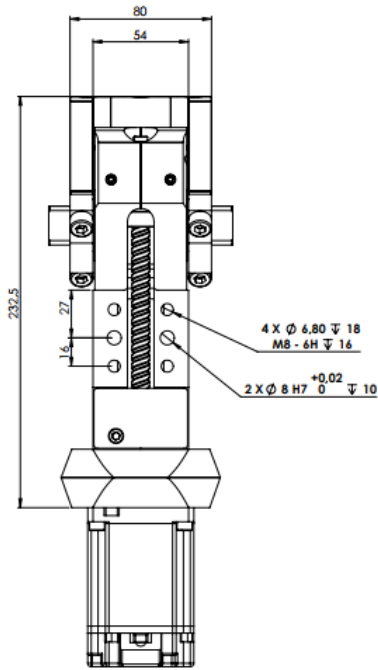
Constant Torque



Soft / Open Close

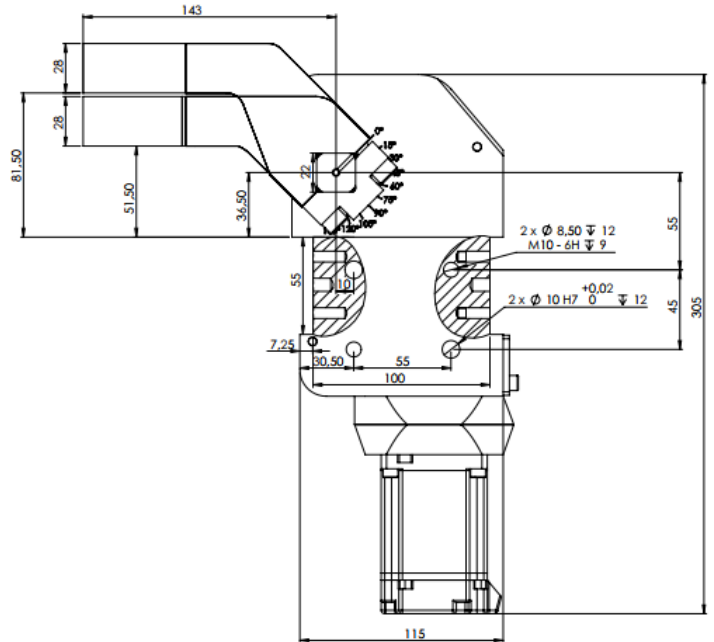


Clamp Arm Motion

WEPC-063 ELECTRIC POWERCLAMP
Technical Drawing


A40 A41 A42

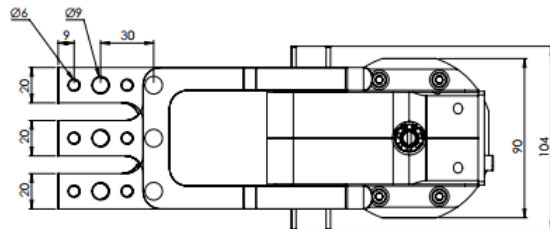
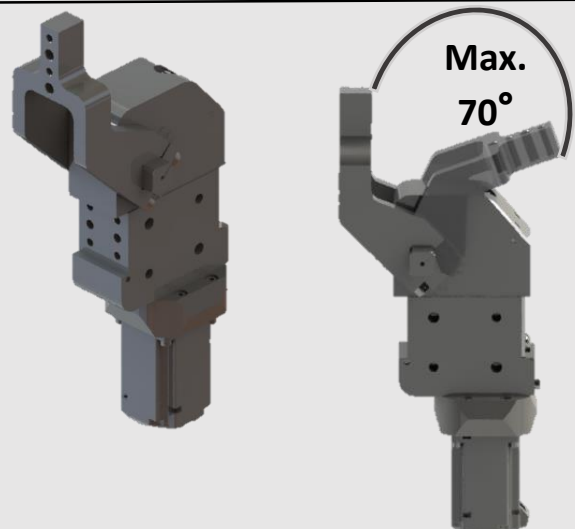
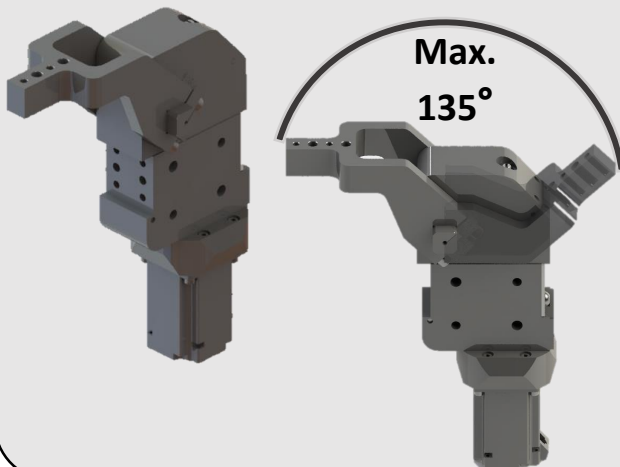
A10 A11 A12



A11 A41

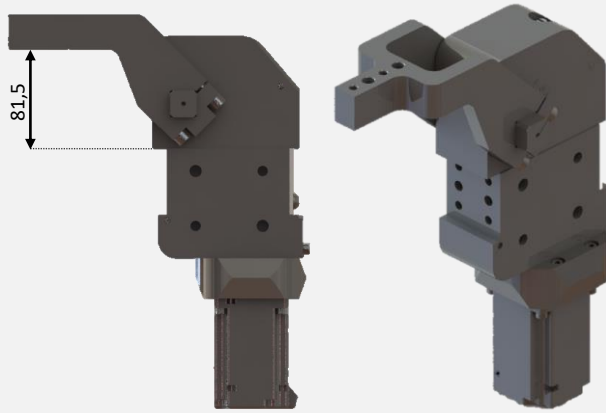
A10 A40

A12 A42

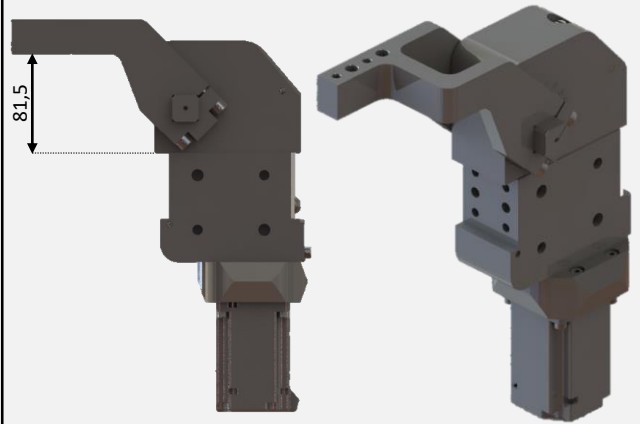

WEPC-063-135-01-XX-WD10
WEPC-063-135-02-XX-WD10


WEPC-063 ELECTRIC POWERCLAMP

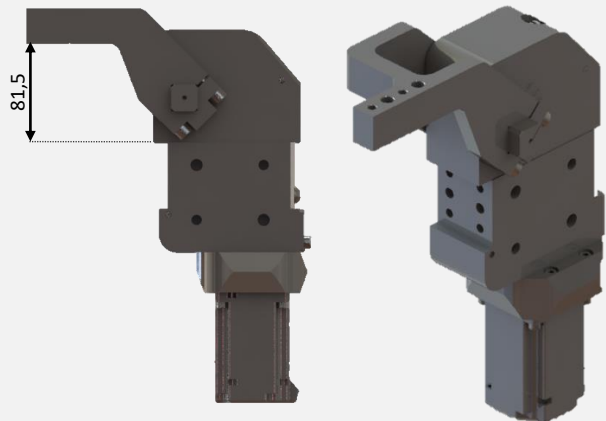
WEPC-063-135-XX-**40**-WD10



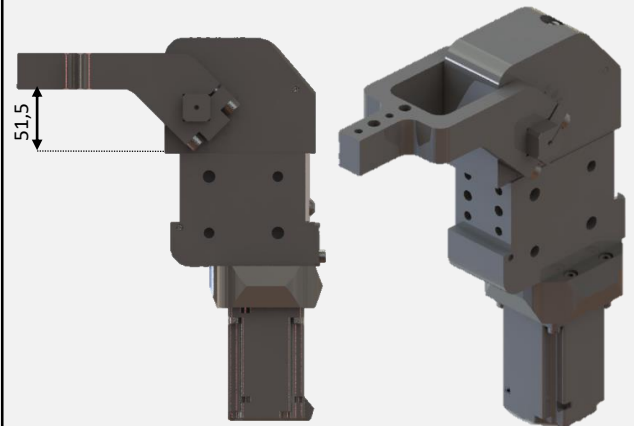
WEPC-063-135-XX-**41**-WD10



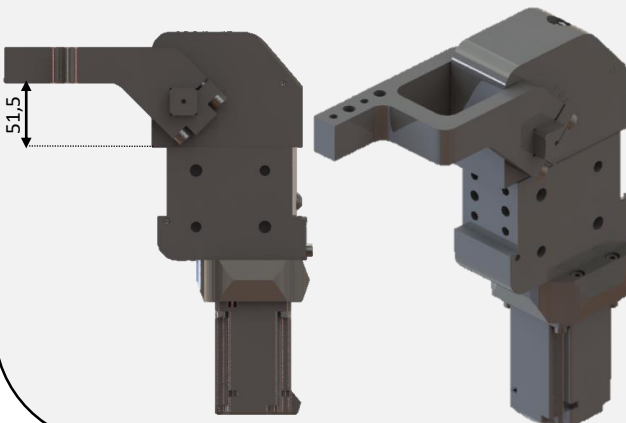
WEPC-063-135-XX-**42**-WD10



WEPC-063-135-XX-**10**-WD10



WEPC-063-135-XX-**11**-WD10



WEPC-063-135-XX-**12**-WD10

