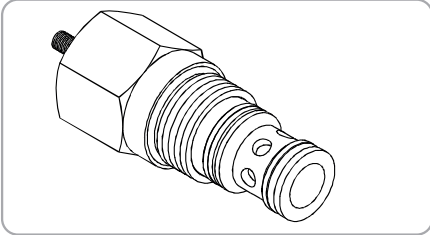


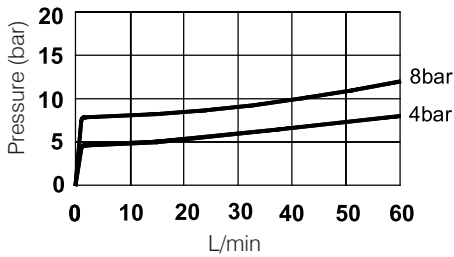
## WEC SERIES CARTRIDGE THROTTLE VALVES

### WEC -10 Series



When pressure at ① rises above the selected spring bias pressure against the spool, the valve shift to allow flow from ① to ②. Pilot pressure at ③ is additive to the spring bias pressure. The valve may be used in switching or compensation type applications.

#### Performance



#### Specifications

Model Number	Max. Pressure (bar)	Max. Flow (lpm)	Weight (Kg)
WEC-10	350 (5076psi)	60 (15.85 gpm)	0.2 (0.55 lbs)
Fluid Type		ISO VG 32, 46, 68	
Viscosity		10~400 (59~1854 SSU)	
Operating Temperature		-15~70 (-5~158°F)	
Contamination Level		ISO4406.21/19/16 NAS1638,10	

#### How To Order

1	2	3	4
WEC	10	- * - *	

#### 1 Valve Series

WEC=Cartridge Throttle Valves  
(Pressure Compensated Included)

#### 4 Design No

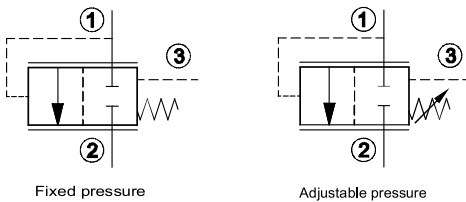
#### 2 Subplate Mounting Size

Size:10  
Cavity :CST-10A

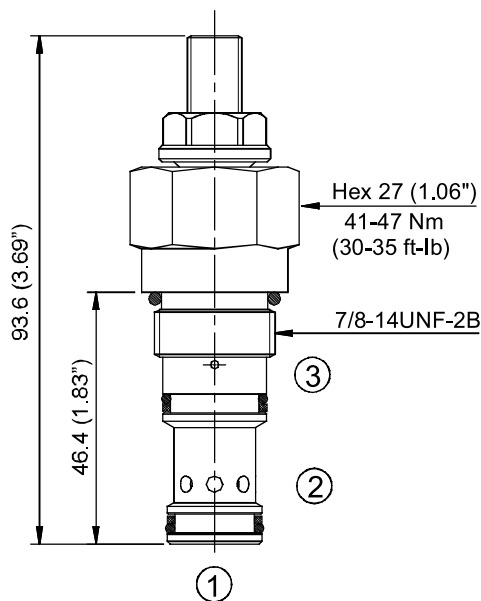
#### 3 Adjustment Pressure

Fixed pressure	Order	Cracking pressure	
	50	5 (bar)	
	80	8 (bar)	
Adjustable pressure	Order	Adjustment pressure	
	M15	2 ~ 8 (bar)	

#### Control Port (S)

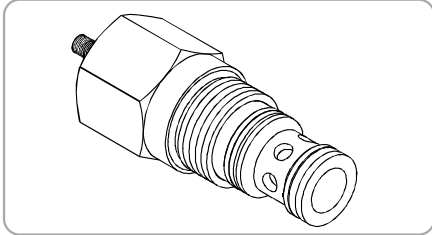


#### Dimensions



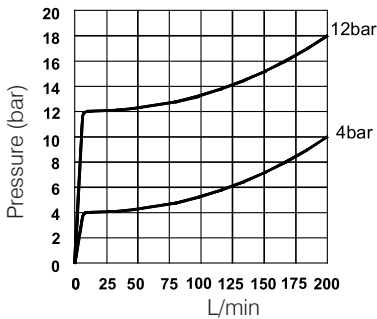
## WEC SERIES CARTRIDGE THROTTLE VALVES

### WEC -16 Series



When pressure at ① rises above the selected spring bias pressure against the spool, the valve shifts to allow flow from ① to ②. Pilot pressure at ③ is additive to the spring bias pressure. The valve may be used in switching or compensation type applications.

#### Performance



#### Specifications

Model Number	Max. Pressure (bar)	Max. Flow (lpm)	Weight (Kg)
WEC-16	350 (5076psi)	200 (52.83 gpm)	0.6 (1.32 lbs)
Fluid Type		ISO VG 32, 46, 68	
Viscosity		10~400 (59~1854 SSU)	
Operating Temperature		-15~70 (-5~158°F)	
Contamination Level		ISO4406.21/19/16 NAS1638,10	

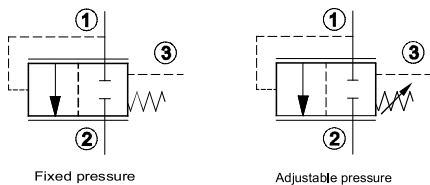
#### How To Order

1	2	3	4
WEC	16	- *	- *

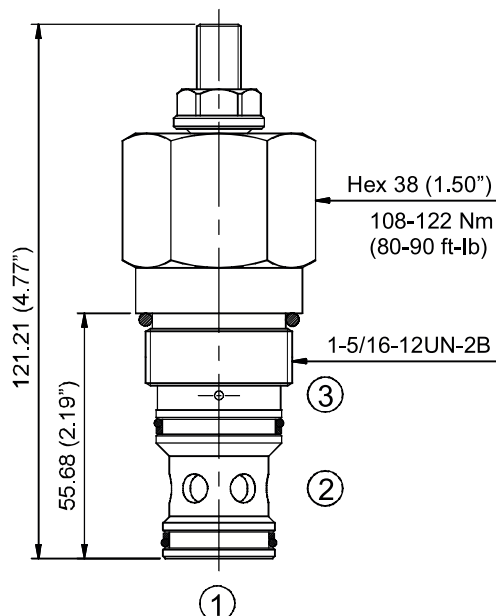
- Valve Series**  
WEC= Cartridge Throttle Valves  
(Pressure Compensated Included)
- Subplate Mounting Size**  
Size:16  
Cavity :CS16-3S
- Adjustment Pressure**

	Order	Cracking pressure	
Fixed pressure	40	4 (bar)	
	80	8 (bar)	
	120	12 (bar)	
Adjustable pressure	Order	Adjustment pressure	
	M15	4 ~ 12 (bar)	

#### Control Port (S)

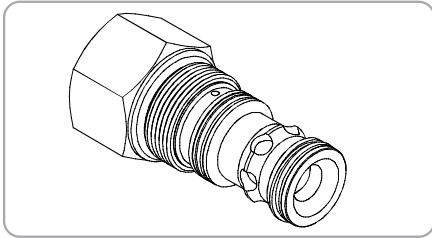


#### Dimensions



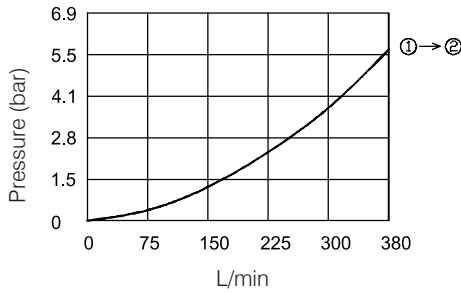
**WEC SERIES CARTRIDGE THROTTLE VALVES**

**WEC -20 Series**



When pressure at ① rises above the selected spring bias pressure against the spool, the valve shift to allow flow from ① to ②. Pilot pressure at ③ is additive to the spring bias pressure. The valve may be used in switching or compensation type applications.

**Performance**



**Specifications**

Model Number	Max. Pressure (bar)	Max. Flow (lpm)	Weight (Kg)
WEC-20	350 (5076psi)	380(100.39 gpm)	0.82 (1.81 lbs)
Fluid Type		ISO VG 32, 46, 68	
Viscosity		10~400 (59~1854 SSU)	
Operating Temperature		-15~70 (-5~158°F)	
Contamination Level		ISO4406.21/19/16 NAS1638,10	

**How To Order**

<b>1</b>	<b>2</b>	<b>3</b>	<b>4</b>
<b>WEC</b>	<b>20</b>	<b>- * - *</b>	<b>- *</b>

**1 Valve Series**

WEC=Cartridge Throttle Valves  
(Pressure Compensated Included)

**4 Design No**

**2 Subplate Mounting Size**

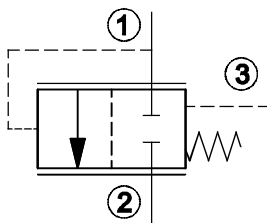
Size:20  
Cavity :CS20-3S

**3 Adjustment Pressure**

Fixed pressure	Order	Cracking pressure	
	<b>15</b>	1.5 (bar)	
	<b>50</b>	5.5 (bar)	
	<b>110</b>	12.5 (bar)	

Spring pressure tolerance ±15%

**Control Port (S)**



**Dimensions**

