

WCR1D Coil Series

26W - Continuous duty - ED100% Plastic Encapsulation



Description

Magnetic circuit encapsulated with thermoplastic compound. Black standard colour.

Metal parts protected against oxidation according to RoHS directive.

Bore size: $\varnothing 16.0$ mm

Technical Features

Various voltage options available (both AC and DC)

Coil insulation class: F (155°C)

Wire insulation class: H (180°C)

Supply power tolerance: +10%, -15% (DC) +10%, -5% (AC)

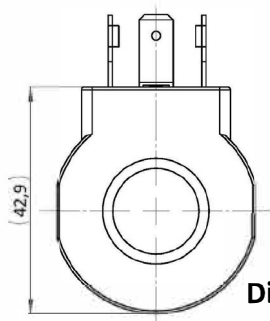
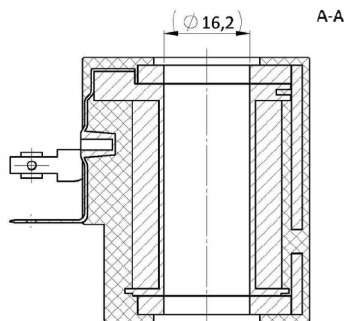
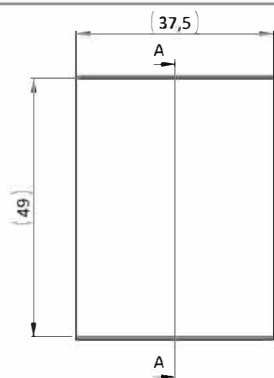
Several connector options available.

Ambient Temperature range: -20°C, +50°C

Weight: 0.225 kg

Seal kit code: SK.070

Cross Section



Dimension may slightly vary for different connector options

WCR1D Coil Series

Ordering Code

W C R 1 D . * * * . L * . * *

↓
Coil basic code

↓
Voltage

→ **Connector**
(see table below for available options)

← **Boor size**
D = Ø16,0 mm

→ **Marking**
0 = Standard factory marking (logo + voltage + Power)
Customized markings can be done upon request

← **Type of current**
C = Direct current
A = Alternate current

← **Power**
L = 26W

Connectors				Options
Model Code	Type of connector	Model Code	Type of connector	Customized connectors can be done upon request
00	DIN 43650	08	DEUTSCH (90°)	
01	Flying Leads (200 mm)			
02	AMP Junior			
04	Bipolar cable			
05	AMP Superseal			

Specifications may change without notice.