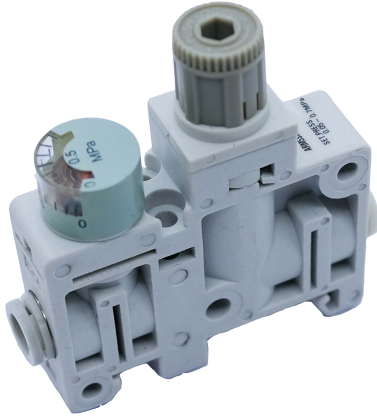




Regulator Montajı/Regulator Mounting



Symbol	A	B
How to mount	Direct mount	DIN rail mount <i>Note)</i>
Appearance		

Note) Both the square nut and the hexagon socket head screw are attached for the DIN rail mount type. (DIN rail is not attached.) Refer to the page 712 for handling.

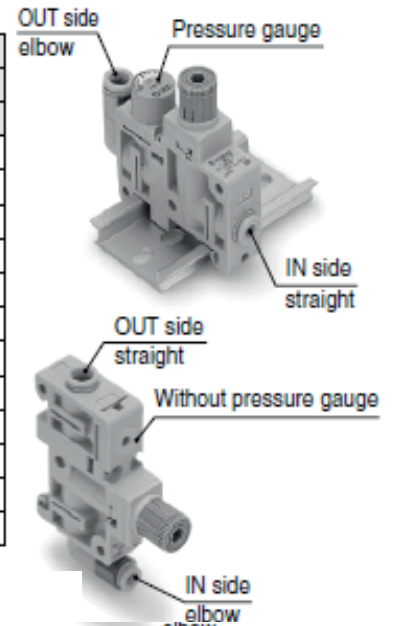
Bağlantı Tipi / Fitting Type

Metric size

Mounting position	IN side				OUT side			
	Straight		Elbow		Straight		Elbow	
Fitting type	Ø4	Ø6	Ø4	Ø6	Ø4	Ø6	Ø4	Ø6
Symbol	●				●			
06	●				●			
07		●			●			
08		●				●		
18			●				●	
19				●			●	
20				●				●
25	●						●	
26		●					●	
27		●						●
32			●		●			
33				●	●			
34				●		●		

Inch size

Mounting position	IN side				OUT side			
	Straight		Elbow		Straight		Elbow	
Fitting type	Ø5/32	Ø1/4	Ø5/32	Ø1/4	Ø5/32	Ø1/4	Ø5/32	Ø1/4
Symbol	●				●			
56	●				●			
57		●			●			
58		●				●		
68			●				●	
69				●			●	
70				●				●
75	●						●	
76		●					●	
77		●						●
82			●		●			
83				●	●			
84				●		●		



Aksesuar/Accessory

Symbol	Accessory
Nil	Without pressure gauge
A	With pressure gauge

Yarı Standart/Yarı Standart

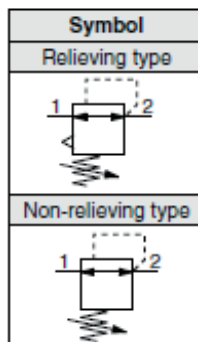
Symbol	None	0.35 MPa setting <i>Note)</i>	Non-relieving
Nil	●		
1		●	
2			●
3		●	●

Note) A pressure gauge with a full span of 0.8 MPa is attached.

Birim Gösterimi/Unit Representation

Symbol	Description
Nil	Display unit for product name plate and pressure gauge: MPa
Z <i>Note)</i>	Display unit for product name plate and pressure gauge: psi

Note) This option is available for use outside Japan only. (The SI units must be used in Japan.)



Note) A standard model is equipped with a backflow function. A main valve opens when the inlet pressure is released, and then an outlet pressure backflows into the inlet side.

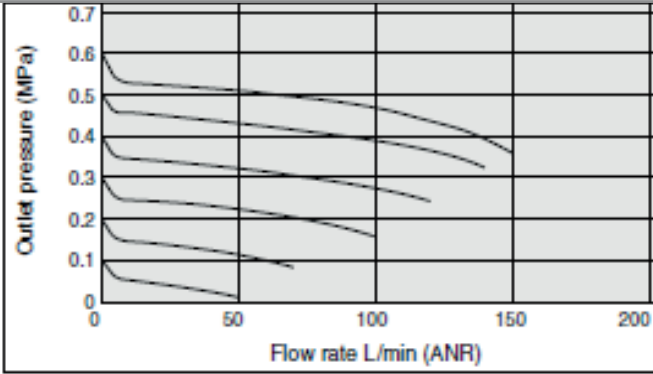
Standart Özellikler/Standart Specifications

Model	ARM5S	
Regulator construction	Direct acting	
Working principle	Piston type	
Relief mechanism	Standard	Relieving type
	Semi-standard	Non-relieving type
Backflow function	Within (Unbalanced type)	
IN side tubing O.D.	Ø4, Ø6, Ø5/32", Ø1/4"	
OUT side tubing O.D.	Ø4, Ø6, Ø5/32", Ø1/4"	
Proof pressure	1.5 MPa	
Maximum operating pressure	1.0 MPa	
Set pressure range	Standard	0.05 to 0.7 MPa
	Semi-standard	0.05 to 0.35 MPa (Low pressure type)
Fluid	Air	
Ambient and fluid temperature	5 to 60°C	
Weight (at ARM5SA-08-A)	33 g	

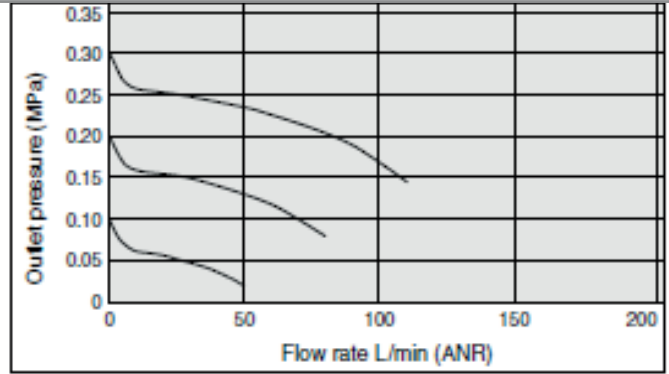
Note) 0.1 MPa or greater set pressure is required when used in the reverse flow.

WINMAN-ARM5S

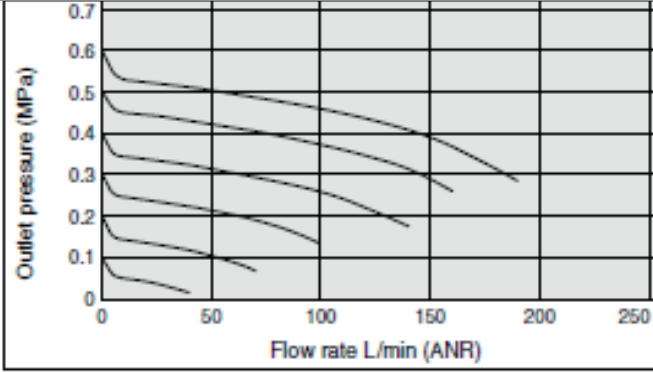
ARM5SA-06



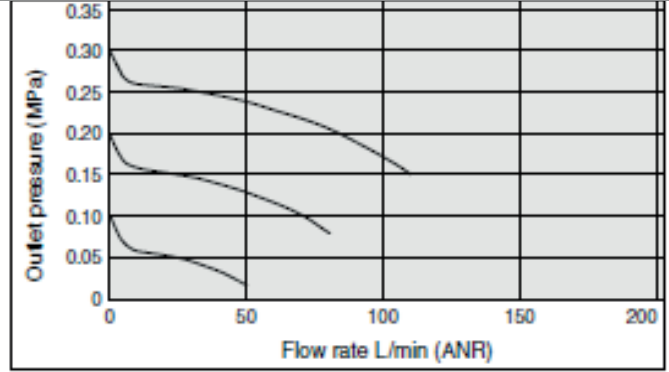
ARM5SA-06-1



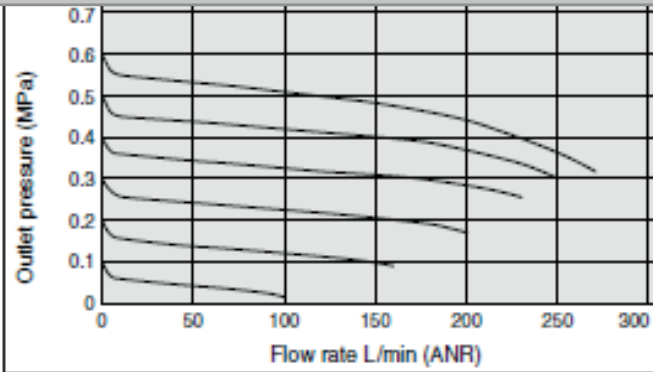
ARM5SA-07



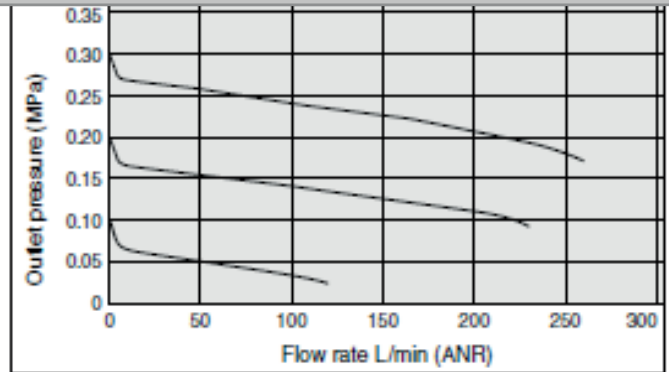
ARM5SA-07-1



ARM5SA-08

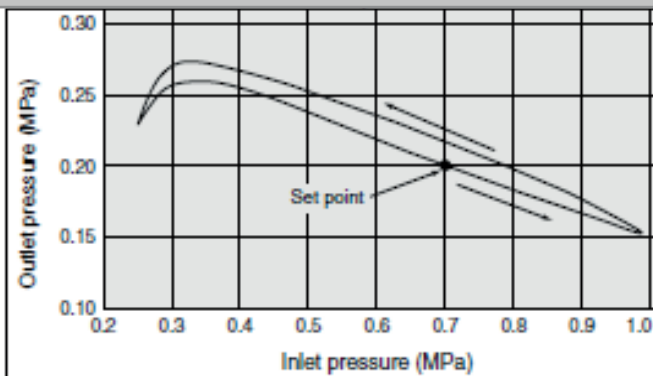


ARM5SA-08-1

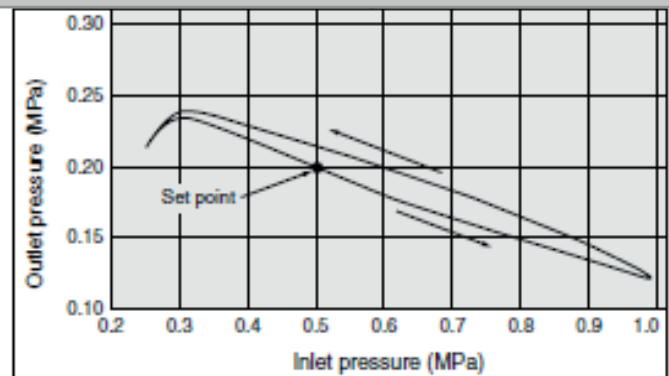


Basınç Özellikleri/Pressure Characteristic

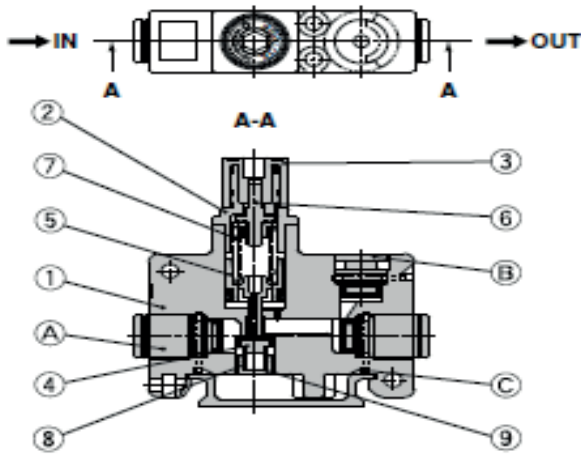
ARM5SA-08



ARM5SA-08-1



Yapı/Construction



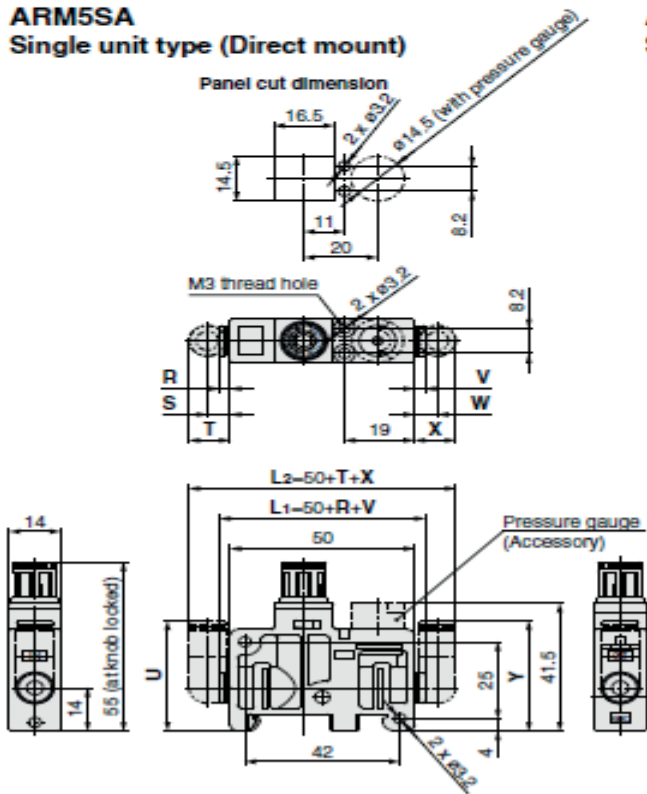
Component Parts

No.	Description	Material
1	Body (for single unit)	PBT
2	Bonnet	PBT
3	Knob	POM
4	Valve	HNBR, Aluminum alloy
5	Piston assembly	POM, NBR
6	Adjusting screw assembly	—
7	Adjusting spring	Stainless steel
8	Valve spring	Stainless steel
9	Valve guide	Brass, With electroless nickel plated
10	Cilp	Stainless steel

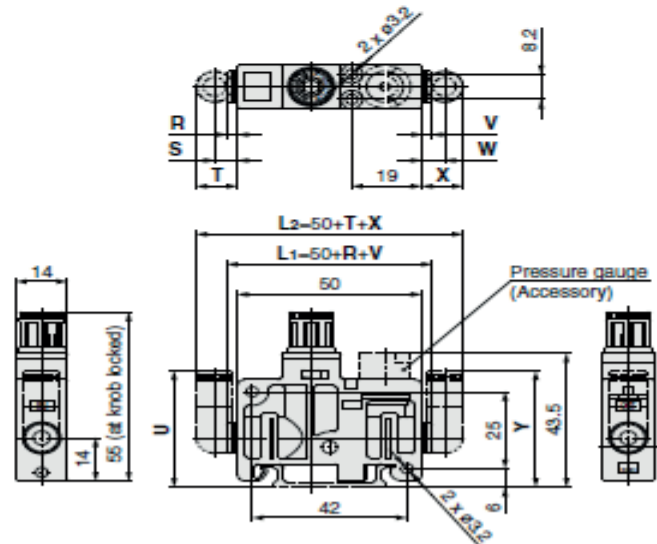
Replacement Parts

No.	Description	Material	Qty.	Part no.
A	Fitting assembly	—	2	Refer to page 711.
B	Port plug	PBT, HNBR	1	Refer to page 706.
C	Cilp	Stainless steel	3	136010

Boyutlar/Dimensions

ARM5SA
Single unit type (Direct mount)

ARM5SB
Single unit type (DIN rail mount)

... Dimensions of One-touch fittings and accessories, please refer to page 711.



Fitting size	IN side				OUT side			
	Straight	Elbow	Elbow	Elbow	Straight	Elbow	Elbow	Elbow
	R	S	T	U	V	W	X	Y
ø4, ø5/32	2.5	6	11	35.5	2.5	6	11	35.5
ø6	3	6.5	11	36	3	6.5	11	36
ø1/4	6.5	6	11.5	38.5	6.5	6	11.5	38.5

Fitting size	IN side				OUT side			
	Straight	Elbow	Elbow	Elbow	Straight	Elbow	Elbow	Elbow
	R	S	T	U	V	W	X	Y
ø4, ø5/32	2.5	6	11	37.5	2.5	6	11	37.5
ø6	3	6.5	11	38	3	6.5	11	38
ø1/4	6.5	6	11.5	40.5	6.5	6	11.5	40.5