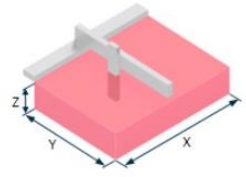
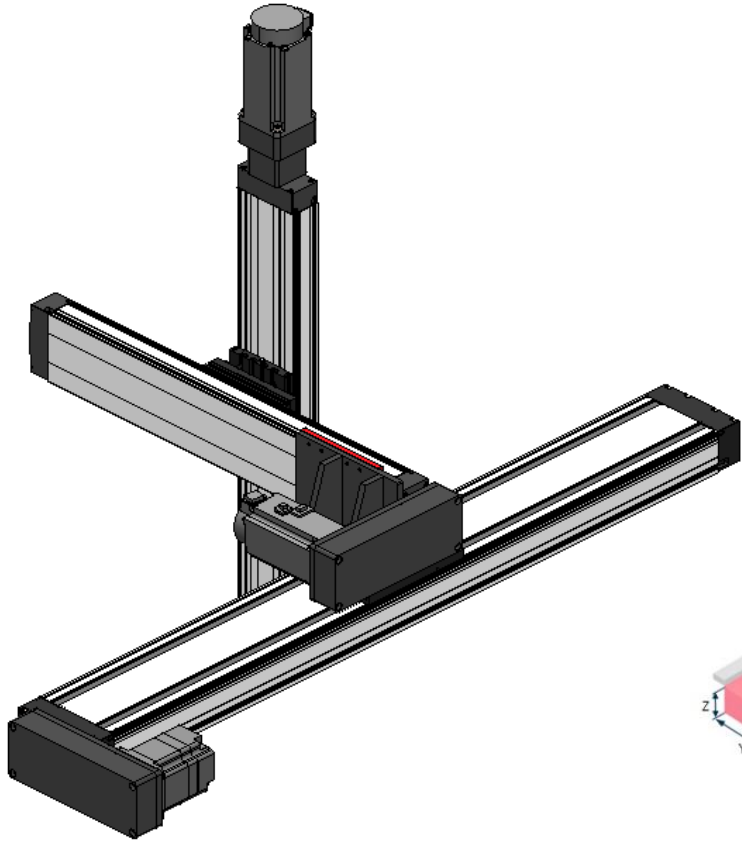


W3CA / X-Y-Z Axis Connection

W3CA - XX - XXXX - XXX - XX - XXXX - XXX - XX - XXXX - XXX - XX - X

- 1
 - 2
 - 3
 - 4
 - 5
 - 6
 - 7
 - 8
 - 9
 - 10
 - 11
 - 12
- Model Size Stroke Z Axis Lead Z Axis Z Axis Mounting Kit Side Stroke Y Axis Lead Y Axis Y Axis Mounting Kit Side Stroke X Axis Lead X Axis X Axis Mounting Kit Side Motor Position

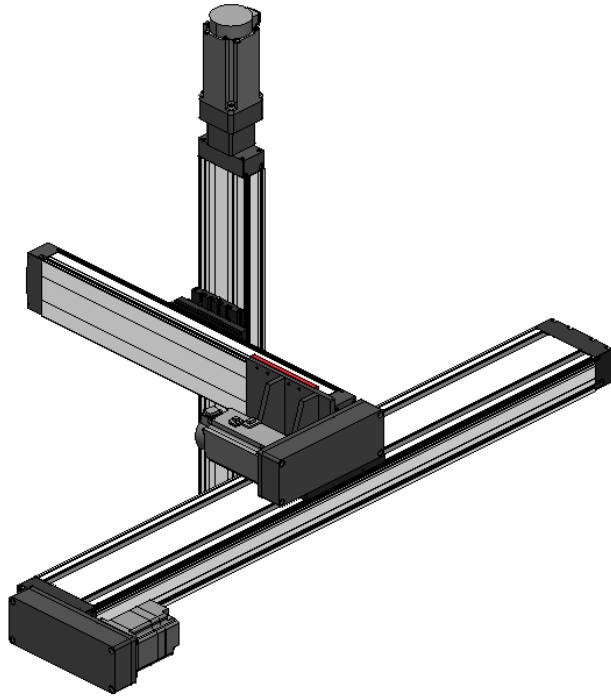


Type	Axis	Linear axis	Lead	Smin (mm)	Smax (mm)	mex max (kg)
W3CA-01	Z	WMCD-110	5 mm	50	1325	30
			10 mm			
			16 mm			
	Y	WMCD-110	5 mm	50	650	
			10 mm			
			16 mm			
	X	WMCD-145	5 mm	60	1590	
			10 mm			
			20 mm			

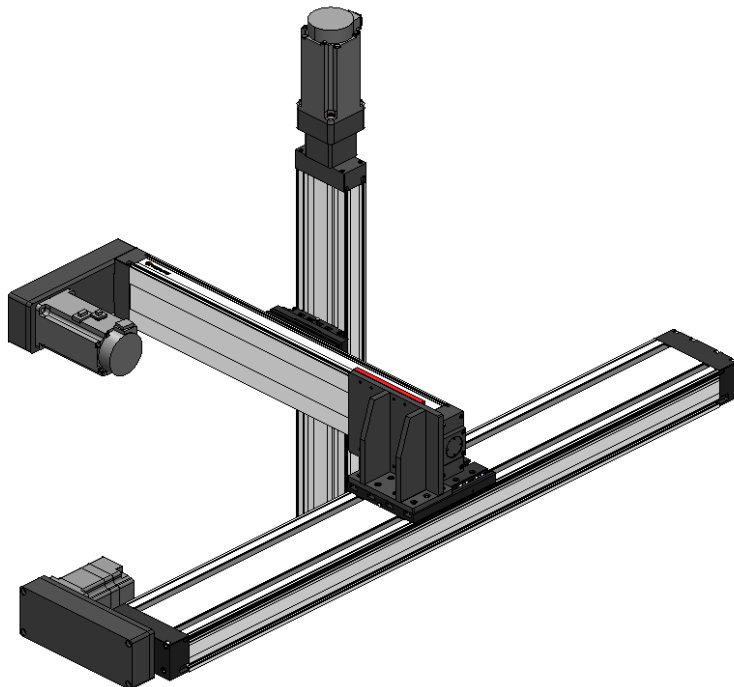
Drive Model

W3CA WDAK / WDPK - Mounting Kit

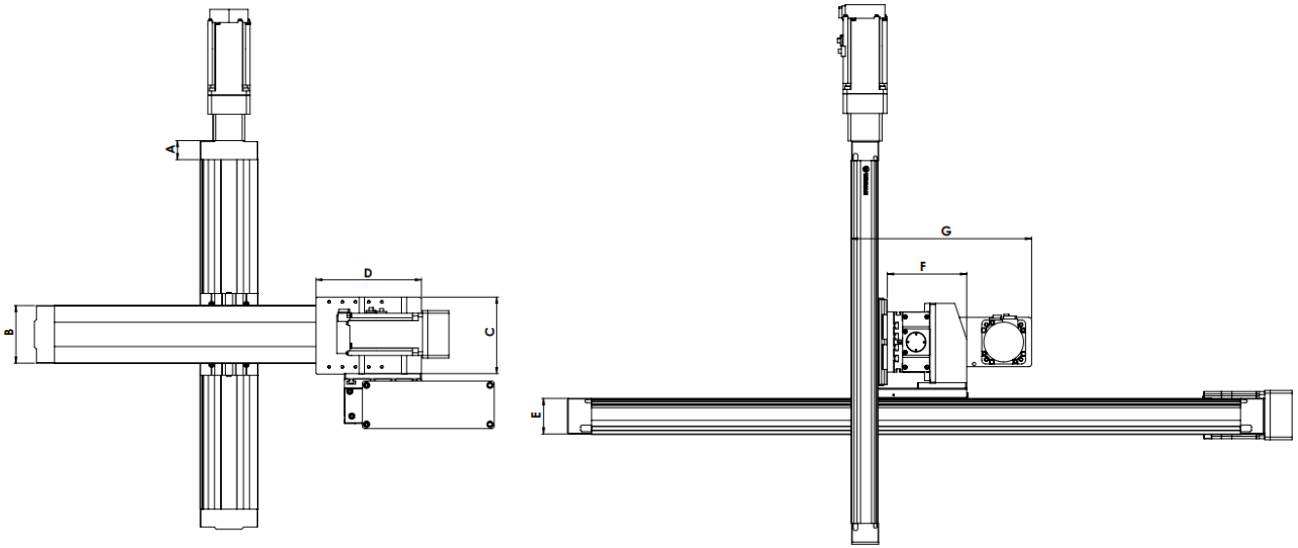
W3CA-XX-XXXX-XX-01-XXXX-XXX-02-XXXX-XXX-02-R



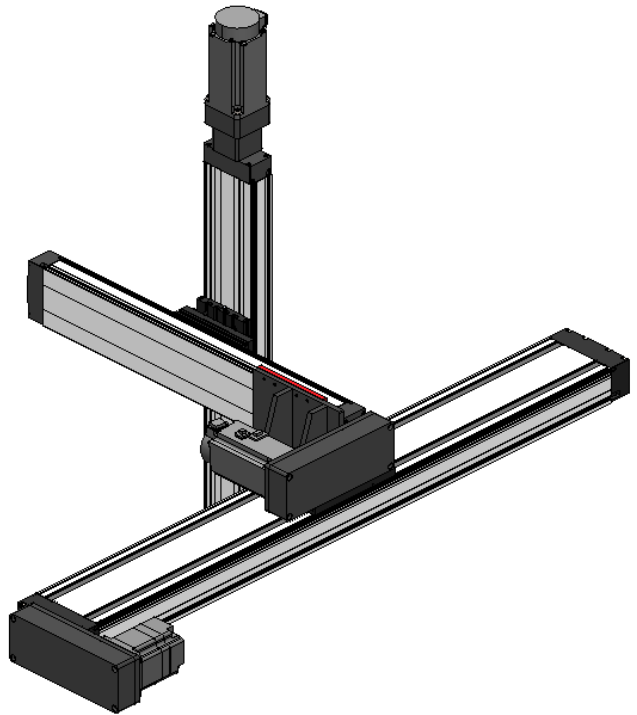
W3CA-XX-XXXX-XX-01-XXXX-XXX-02-XXXX-XXX-02-L



Technical Drawing



	AXIS	LINEAR AXIS
W3CA-01	X	WMCD-145
	Y	WMCD-110
	Z	WMCD-110



TYPE	A	B	C	D	F	G
W3CA-01	36	109	145	200	145	329,5

