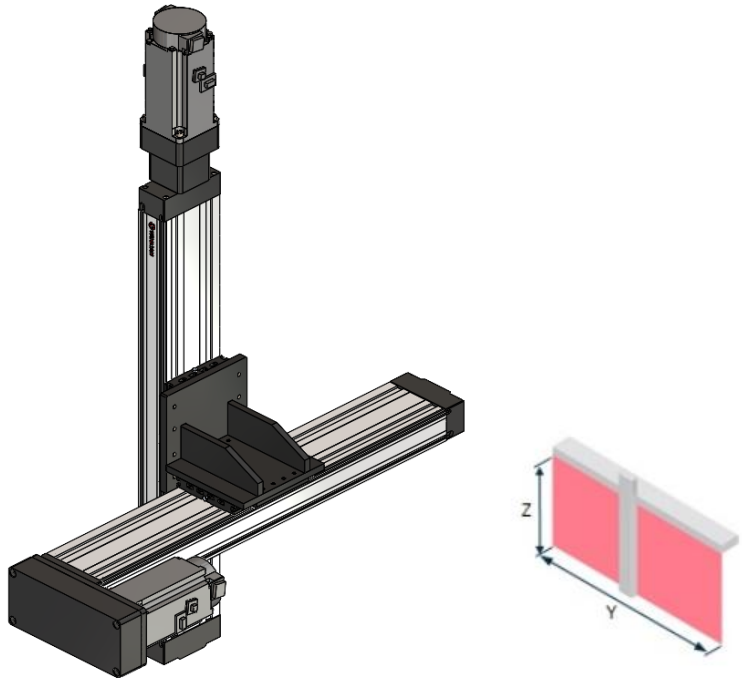


**W2CD / Y-Z Axis Connection**

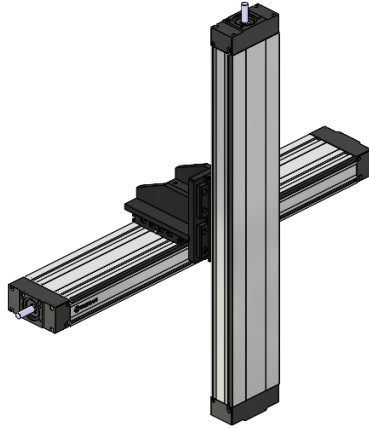
**W2CD - XX - XXXX - XX - XX - XXXX - XX - XX - X**  
1    2    3    4    5    6    7    8    9  
 Model            Size            Stroke Y Axis            Lead Y Axis            Y Axis Mounting Kit            Stroke Z Axis            Lead Z Axis            Z Axis Mounting Kit            Motor Position



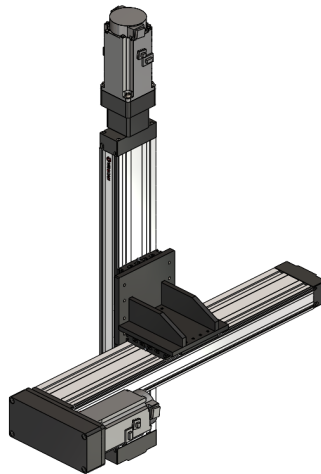
Type	Axis	Linear axis	Lead	Smin (mm)	Smax (mm)	mex max (kg)
W2CD-01	Y	WMCD-110	5 mm	50 mm	1325 mm	32,5 kg
			10 mm			
			16 mm			
	Z	WMCD-110	5 mm	50 mm	1325 mm	
			10 mm			
			16 mm			
W2CD-02	Y	WMCD-145	5 mm	60 mm	1325 mm	32,5 kg
			10 mm			
			20 mm			
	Z	WMCD-110	5 mm	50 mm	1590 mm	
			10 mm			
			16 mm			
W2CD-03	Y	WMCD-145	5 mm	60 mm	1590 mm	61 kg
			10 mm			
			20 mm			
	Z	WMCD-145	5 mm	60 mm	1590 mm	
			10 mm			
			20 mm			

W2CD / Y-Z Axis Connection

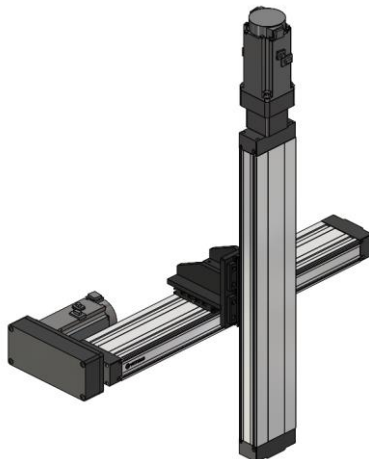
# W2CD WDAK / WDPK - Mounting Kit



**W2CD-XX-XXXX-XX-00-XXXX-XXX-00-0**

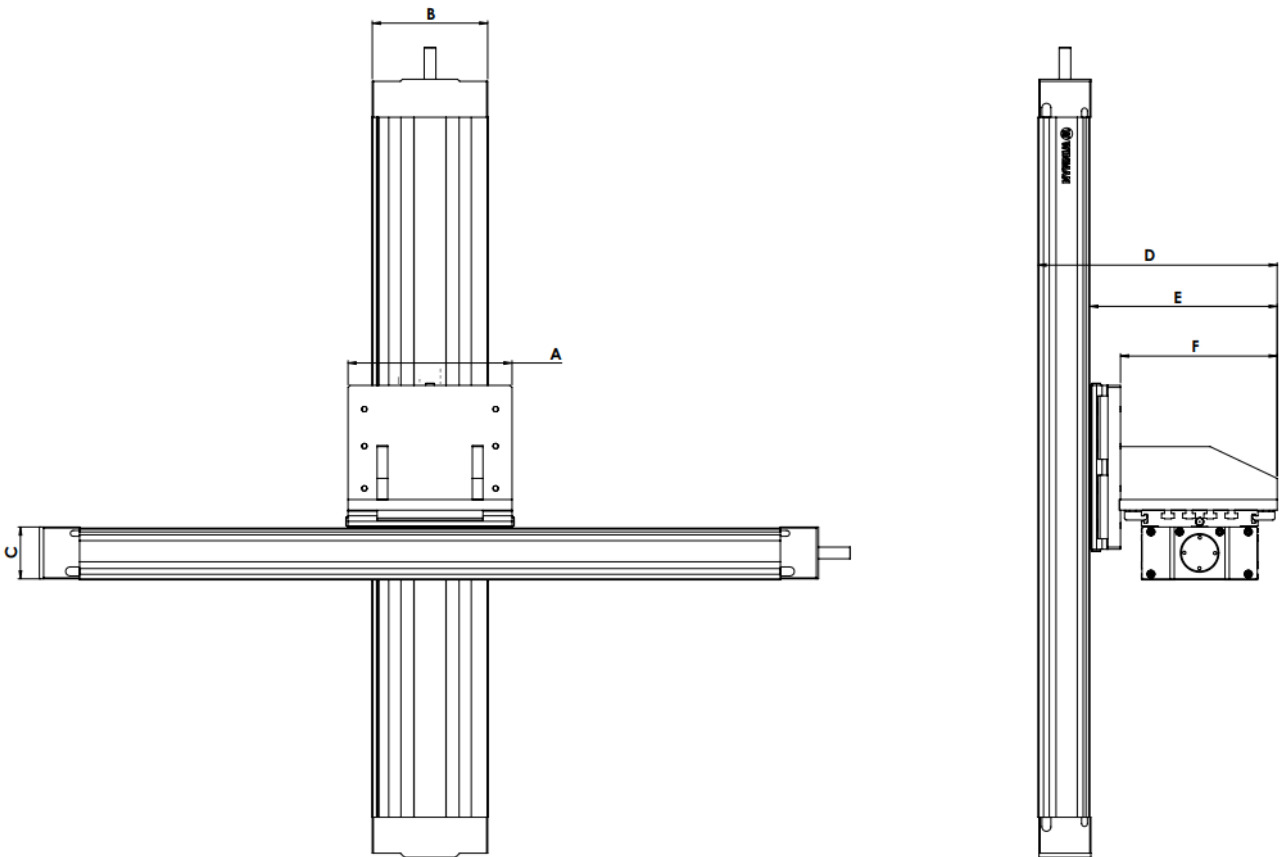


**W2CD-XX-XXXX-XX-02-XXXX-XXX-01-R**



**W2CD-XX-XXXX-XX-02-XXXX-XXX-01-L**

Technical Drawing

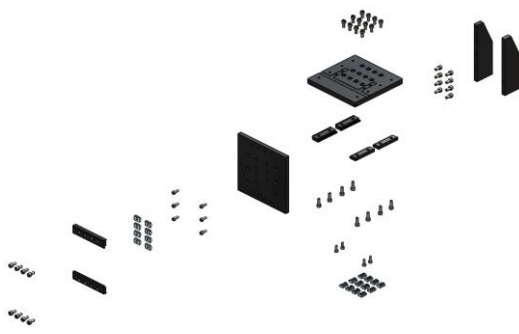
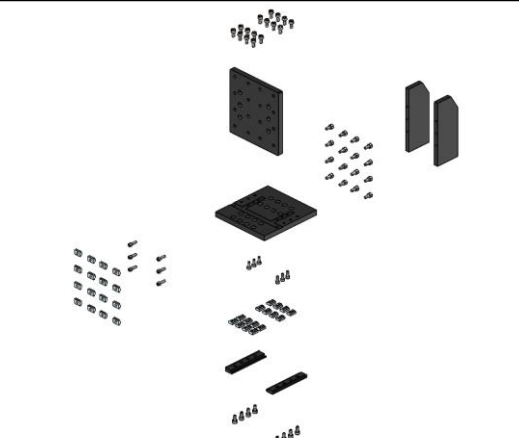


	AXIS	LINEAR AXIS
<b>W2CD-01</b>	Y	WMCD-110
	Z	WMCD-110
<b>W2CD-02</b>	Y	WMCD-145
	Z	WMCD-110
<b>W2CD-03</b>	Y	WMCD-145
	Z	WMCD-145

TYPE	A	B	C	D	E	F
<b>W2CD-01</b>	155	110	49	226	177	148
<b>W2CD-02</b>	185	110	65	230,5	181,5	152,5
<b>W2CD-03</b>	185	145	65	274,5	208,5	175

**W2CD Assembly Parts**

**W2CD ASSEMBLY PARTS**

	<b>CODES</b>	<b>DETAIL VIEW</b>
<b>W2CD-01 ASSEMBLY PARTS</b>	<b>199676</b>	
<b>W2CD-02 ASSEMBLY PARTS</b>	<b>199683</b>	
<b>W2CD-03 ASSEMBLY PARTS</b>	<b>199699</b>	