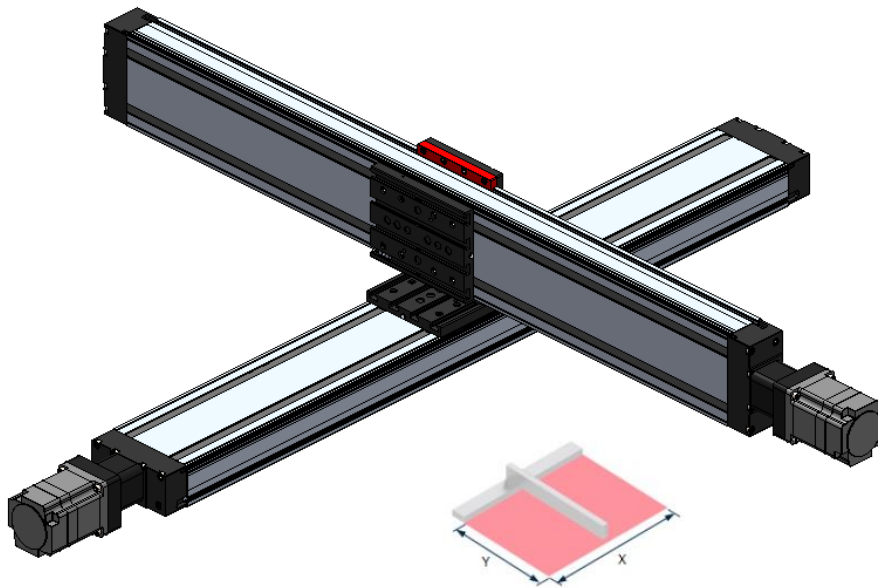


W2CA / X-Y Axis Connection

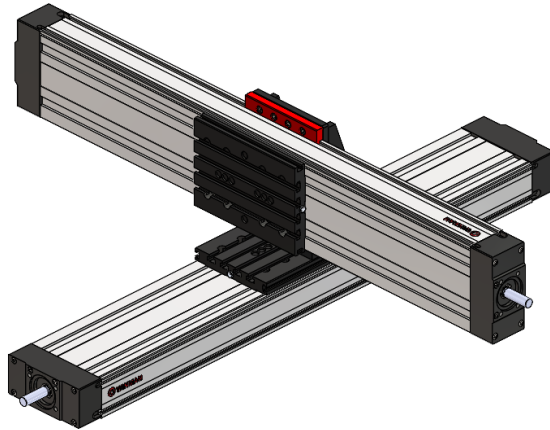
W2CA - XX - XXXX - XX - XX - XXXX - XX - XX - X



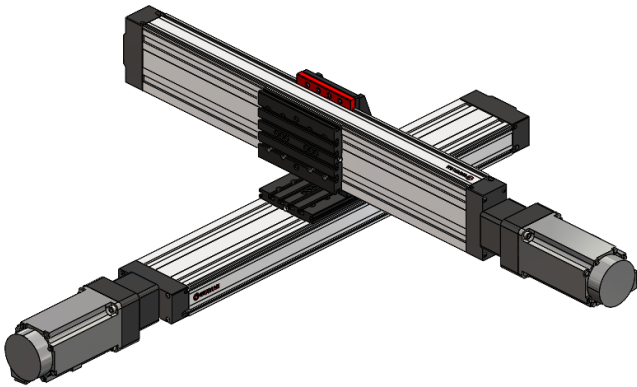
Type	Axis	Linear axis	Lead	Smin (mm)	Smax (mm)	mex max (kg)
W2CA-01	Y	WMCD-110	5 mm	50 mm	725 mm	25 kg
			10 mm			
			16 mm			
	X	WMCD-110	5 mm	50 mm	1325 mm	
			10 mm			
			16 mm			
W2CA-02	Y	WMCD-110	5 mm	50 mm	1050 mm	44,5 kg
			10 mm			
			16 mm			
	X	WMCD-145	5 mm	60 mm	1590 mm	
			10 mm			
			20 mm			
W2CA-03	Y	WMCD-145	5 mm	60 mm	1050 mm	52 kg
			10 mm			
			20 mm			
	X	WMCD-145	5 mm	60 mm	1590 mm	
			10 mm			
			20 mm			

Technical Drawing

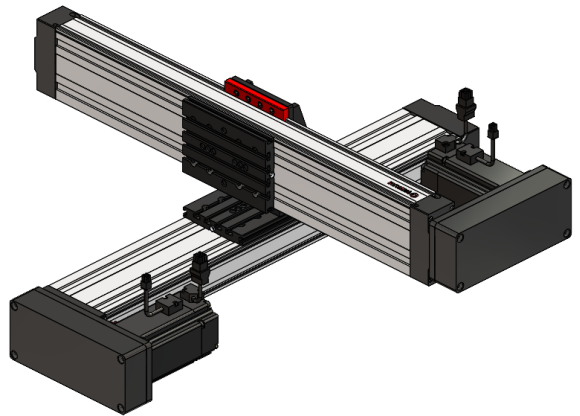
W2CA WDAK / WDPK - Mounting Kit



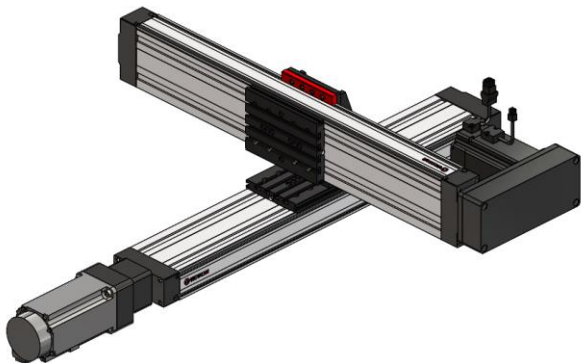
W2CA-XX-XXXX-XX-00-XXXX-XXX-00-0



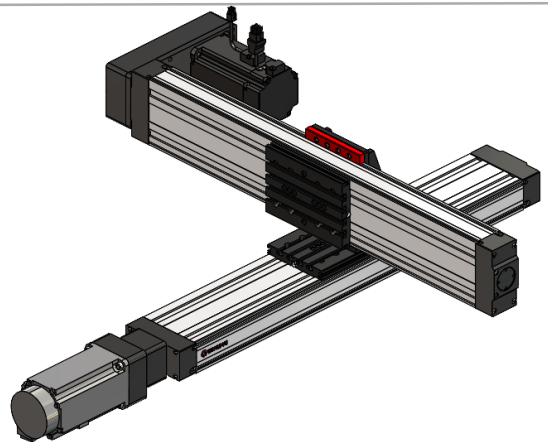
W2CA-XX-XXXX-XX-01-XXXX-XXX-01-R



W2CA-XX-XXXX-XX-02-XXXX-XXX-02-R

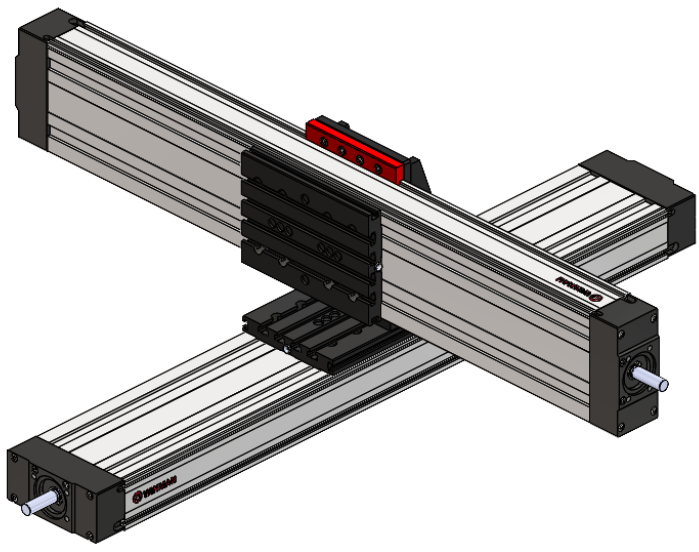
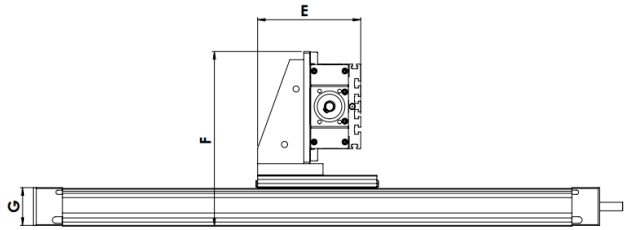
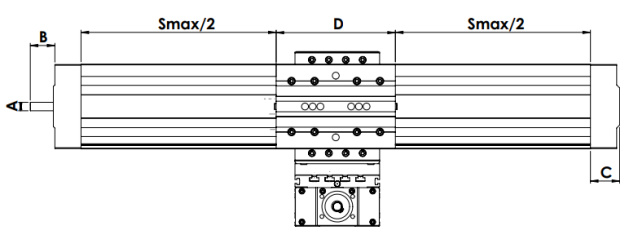


W2CA-XX-XXXX-XX-02-XXXX-XXX-01-R



W2CA-XX-XXXX-XX-02-XXXX-XXX-01-L

W2CA / X-Y Axis Connection



	AXIS	LINEAR AXIS
W2CA-01	Y	WMCD-110
W2CA-01	X	WMCD-110
W2CA-02	Y	WMCD-110
W2CA-02	X	WMCD-145
W2CA-03	Y	WMCD-145
W2CA-03	X	WMCD-145

TYPE	A	B	C	D	E	F	G
W2CA-01	11	30	36	155	134	226,5	49
W2CA-02	11	30	36	155	134	240	65
W2CA-03	14	34	44	185	156	280,5	65

W2CA Assembly Parts

W2CB ASSEMBLY PARTS

	CODES	DETAIL VIEW
<p>W2CA-01 ASSEMBLY PARTS</p>	<p>199575</p>	
<p>W2CA-02 ASSEMBLY PARTS</p>	<p>199579</p>	
<p>W2CA-03 ASSEMBLY PARTS</p>	<p>199580</p>	