

W1CA – X Axis Connection

W1CA – XX – XXXX – XX – XX

1

Model

2

Size

3

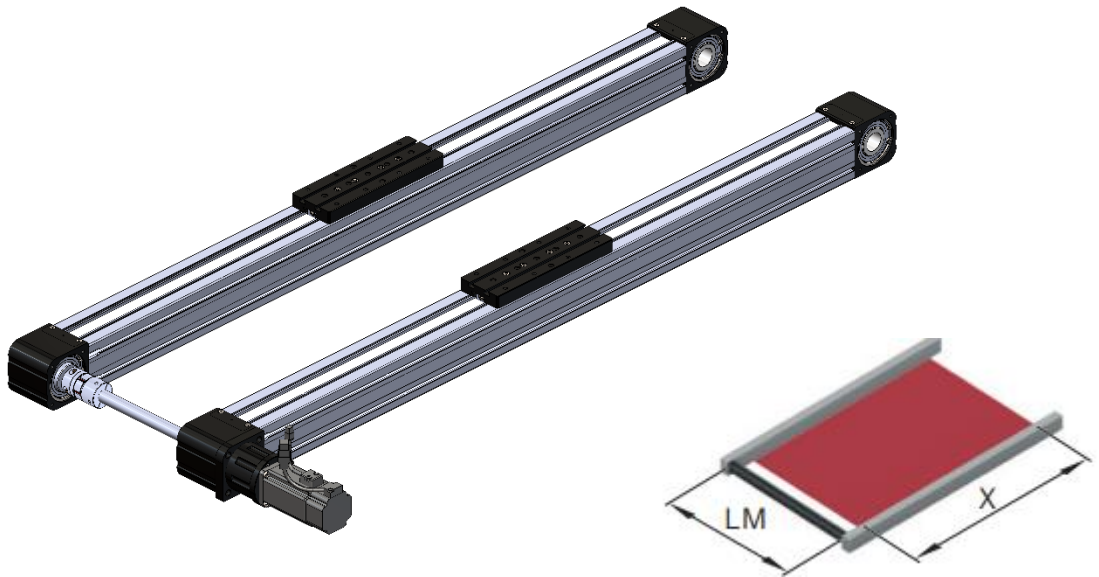
Stroke X Axis

4

X Axis Mountig Kit

5

Motor Position



TYPE	AXIS	Linear axis	Lead (mm/rev)	Smin (mm)	Smax (mm)	LM Min (mm)	LM Max (mm)	mex max (kg)
W1CA-01	X	WMCS-080	200 mm/rev	60	3000	315	4144	118
W1CA-02	X	WMCS-065	140 mm/rev	60	3000	253	3105	62

Driving Model

W1CA
WDAK Mounting Kit



W1CA-XX-XXXX-00

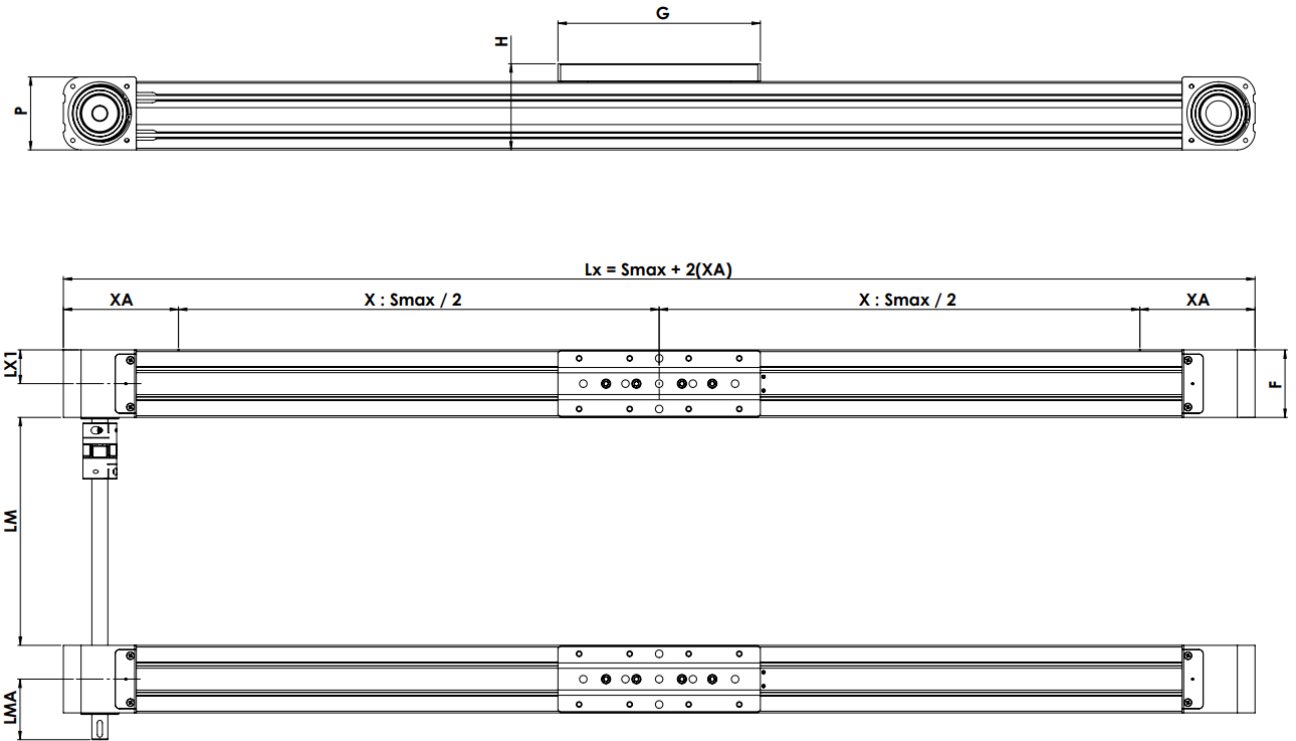


W1CA-XX-XXXX-01-R



W1CA-XX-XXXX-01-L

Technical Drawing



	AXIS	LINEAR AXIS
W1CA-01	X	WMCS-080
W1CA-02	X	WMCS-065

TYPE	XA	LMA	LX1	P	H	G
W1CA-01	136,5	71,75	40	86,5	102	240
W1CA-02	115	62	32	70	85	160