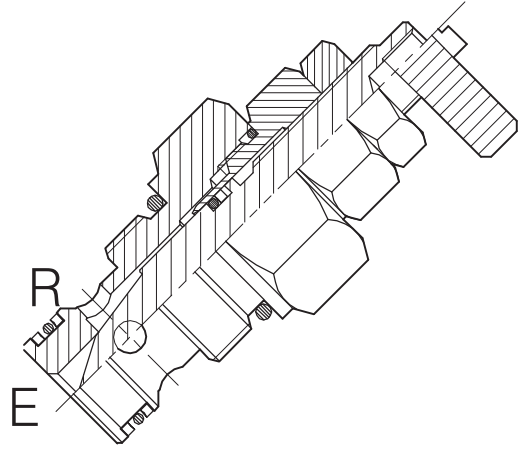
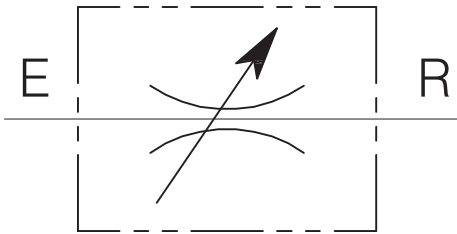


**VST-T-45-...**

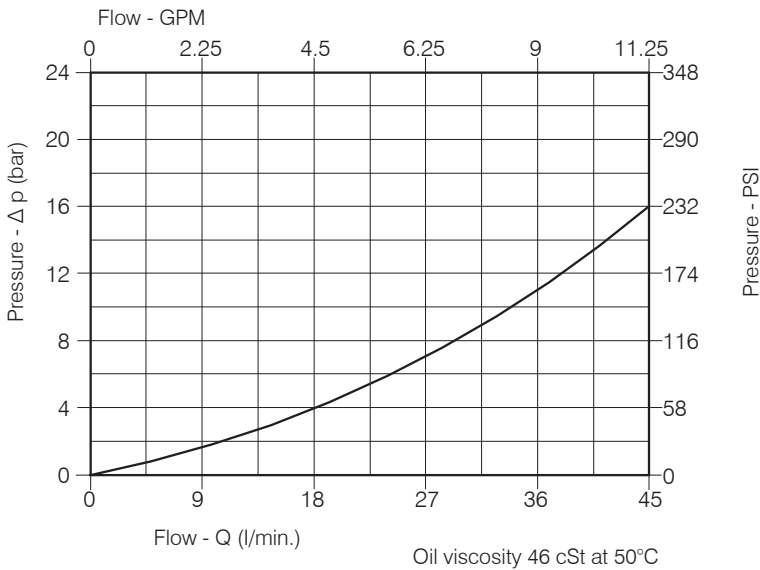
**CARTRIDGE STYLE FLOW RESTRICTOR VALVE**



**Performance**

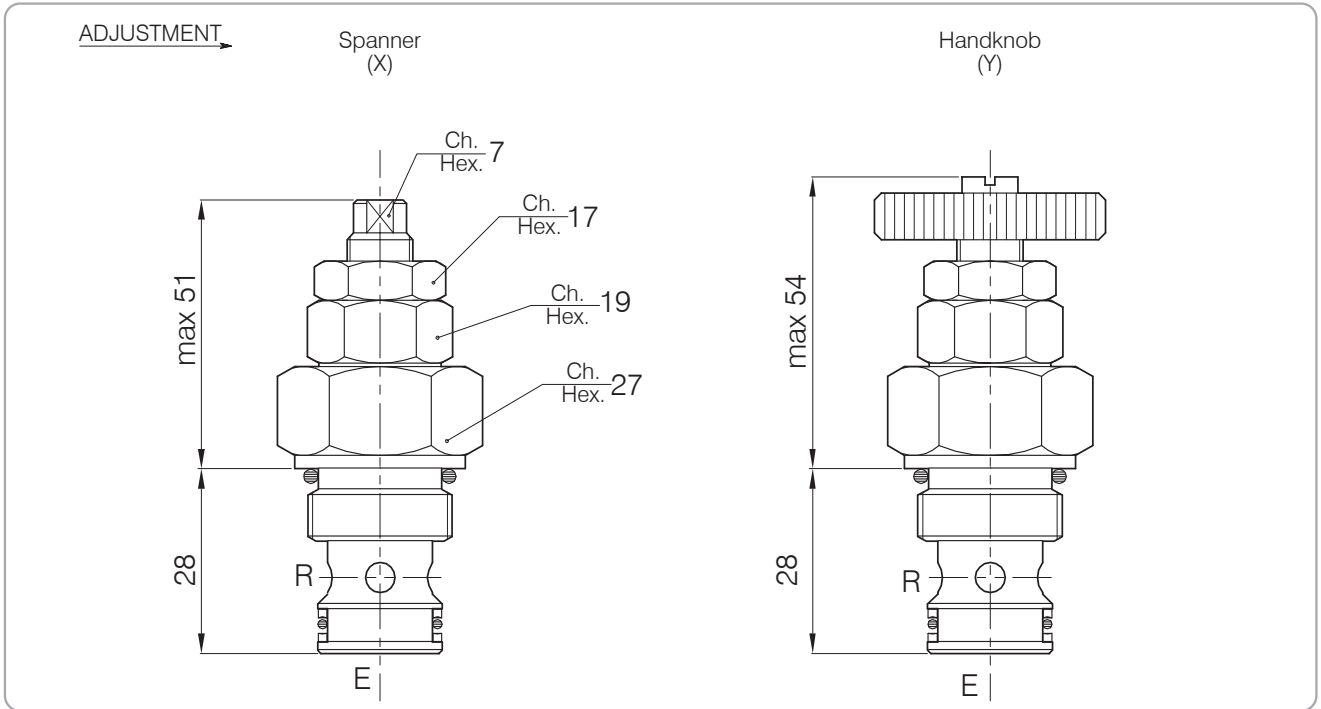
Rated size	DN 8
Min/Max flow-rate	1/45 l/min - 0.26/11.9 GPM
Max working pressure	350 bar - 5075 PSI
Room temperature	-30°C + 50°C
Oil temperature	-30°C + 80°C
Recommended filtration	50 micron
Tightening torque	46 ÷ 54 Nm
Weight	0.161 Kg

**Performance Details**



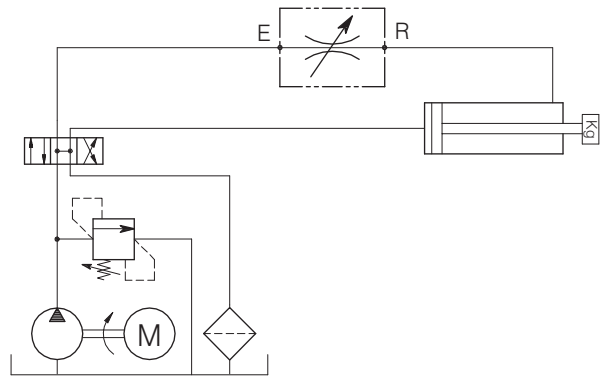
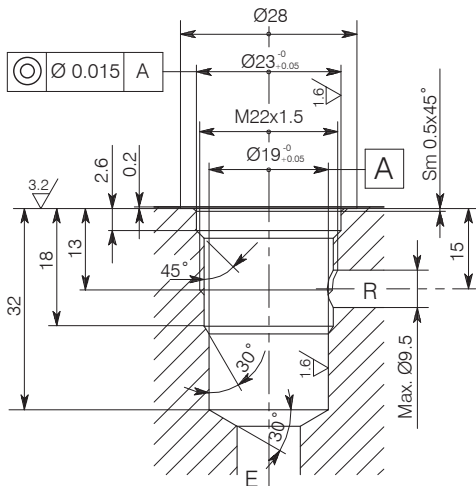
VST-T-45-...

Hydraulic valves and integrated components



Cavity CE.014.N

Typical Circuit Example



The valve seat should be perfectly tool

Ordering Code

4 • 1 8 • 0 • X • 0

**Cracking pressure**

X : Spanner

Y : Handknob