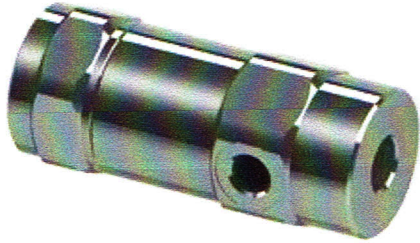


VRPE

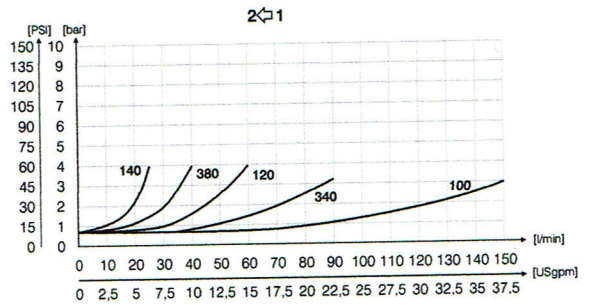
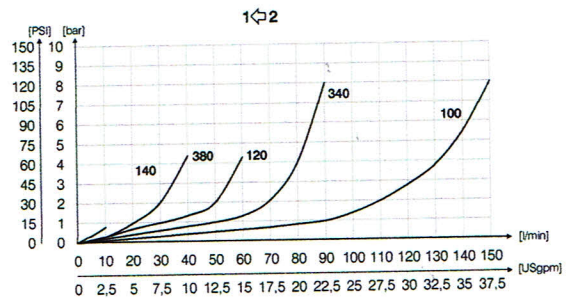
Single acting pilot check valves



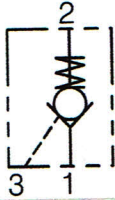
Ordering Code

		01	02
		VRPE	
01	(Single acting pilot check valves)		VRPE
		BSPP1/4	140
		BSPP3/8	380
02	Dimensione Size	BSPP1/2	120
		BSPP3/4	340
		BSPP1	100

Performances



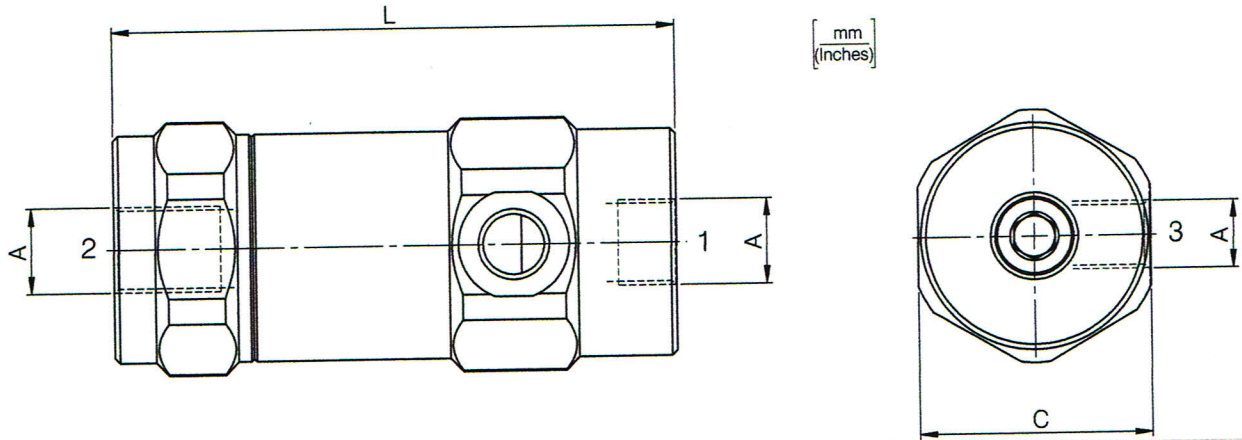
Hydraulic circuit



Technical data

Mineral oil	ISO 6743/4 (DIN 51524)
Oil viscosity	15-250 mm ² /s (15 to 250 cSt)
Max contamination index with filter	ISO 4406:1999 Classe 19/17/14
Oil temperature	-20°C +80°C -4°F + 176°F
Ambient temperature	-20°C +50°C -4°F + 122°F

It is necessary a filter use to protect the valve (advised filtration 15 μm)
Max leakage, 0,015 in³/min - 5 drops/min



Technical characteristics

Code	A	Portata max (l/min) Max flow (USgpm)	Pressione max (bar) Max pressure (PSI)	L	C	Approx weight (lb)	Pilot ratio
VRPE140	BSPP1/4	25 (6.6)	350 (5075)	100 (3.94)	40 (1.57)	0,84 (1.85)	1:5.3
VRPE380	BSPP3/8	40 (10.6)		105 (4.13)	45 (1.77)	1,14 (2.51)	1:4.4
VRPE120	BSPP1/2	60 (15.9)		125 (4.92)		1,24 (2.73)	1:4.2
VRPE340	BSPP3/4	100 (26.4)	300 (4350)	130 (5.12)	55 (2.17)	1,87 (4.12)	1:4
VRPE100	BSPP1	150 (39.6)		166 (6.54)	65 (2.56)	3,22 (7.10)	1:4.1