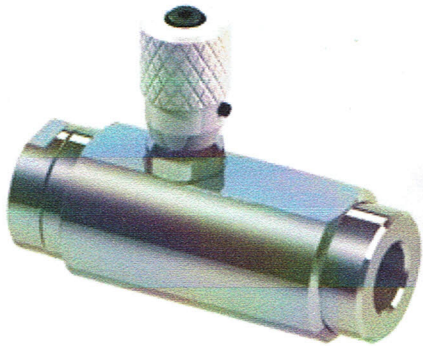


VRC

Flow control valves - pressure compensated

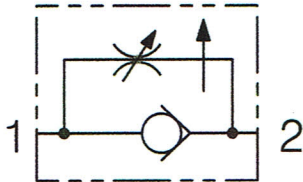


Ordering Code

		01	02	
		VRC		
01	Flow control valves - pressure compensated			VRC
02	Dimensione Size	BSP1/4		140
		BSP3/8		380
		BSP1/2		120

Performances

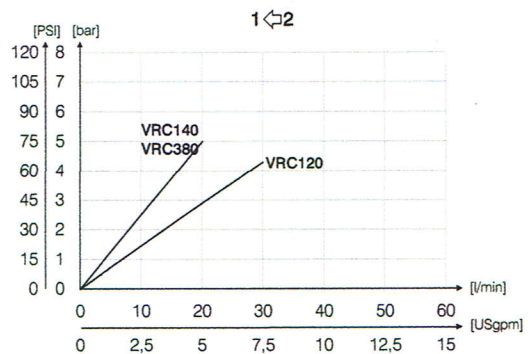
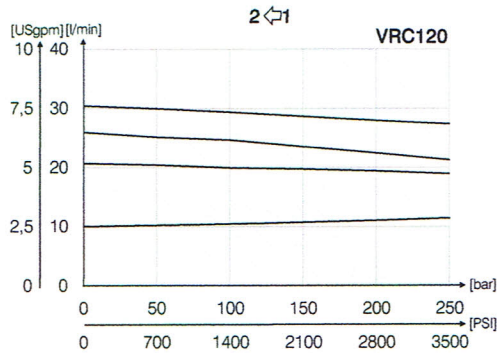
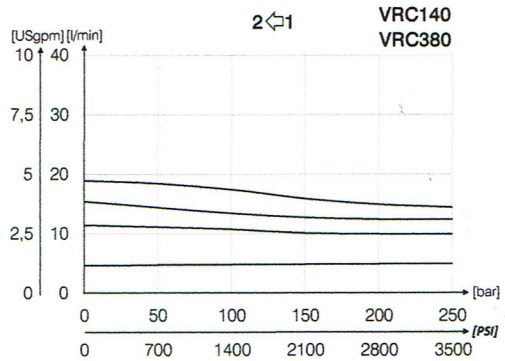
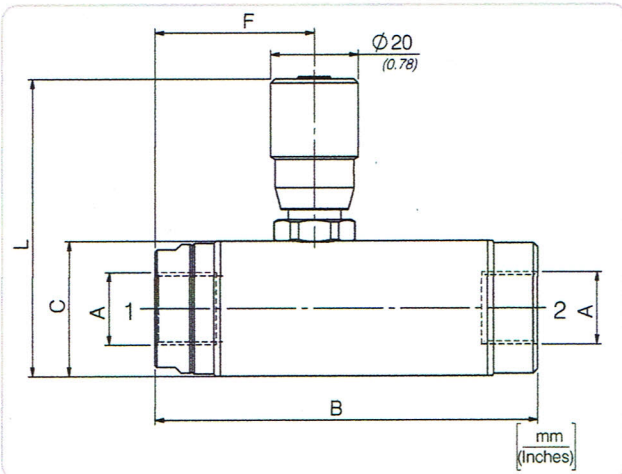
Hydraulic circuit



Technical data

Mineral oil	ISO 6743/4 (DIN 51524)
Oil viscosity	15-250 mm ² /s (15 to 250 cSt)
Max contamination index with filter	ISO 4406:1999 Classe 19/17/14
Oil temperature	-20°C +80°C -4°F + 176°F
Ambient temperature	-20°C +50°C -4°F + 122°F

It is necessary a filter use to protect the valve (advised filtration 15 μm)



Technical characteristics

Code	A	Portata max (l/min) Max flow (USgpm)	Pressione max (bar) Max pressure (PSI)	B	C	F	L	Approx weight (lb)
VRC140	BSP1/4	10 (2.6)	250 (3625)	88 (1.46)	27 (1.06)	51 (2.01)	52 (2.05)	0,51 (1.12)
VRC380	BSP3/8	18 (4.8)						0,50 (1.10)
VRC120	BSP1/2	33 (8.7)		108 (425)	36 (1.42)	61 (2.40)	57 (2.24)	0,76 (1.67)