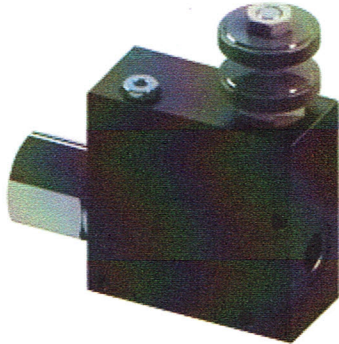


VPT

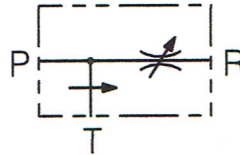
3 ways flow control valves - pressure compensated, exceeding flow to tank



Ordering Code

01	02	03	01	02	03
			VPT	V	V
01	(3 ways flow control valves - pressure compensated, exceeding flow to pressure)			VPT	
02	Dimensione (Size)		BSP3/8	380	
			BSP1/2	120	
			BSP3/4	340	
			BSP1	100	
03	Regolazione (Setting)	Volantino	V		

Hydraulic circuit



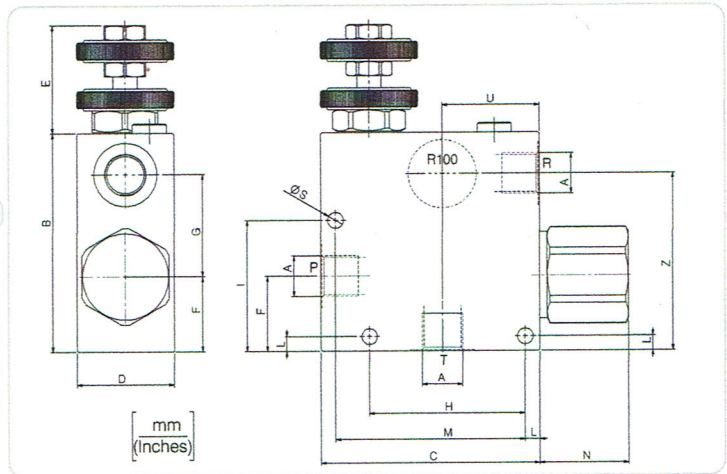
Technical data

Mineral oil	ISO 6743/4 (DIN 51524)
Oil viscosity	15-250 mm ² /s (15 to 250 cSt)
Max contamination index with filter	ISO 4406:1999 Classe 19/17/14
Oil temperature	-20°C +80°C -4°F + 176°F
Ambient temperature	-20°C +50°C -4°F + 122°F

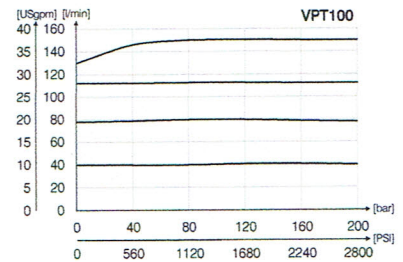
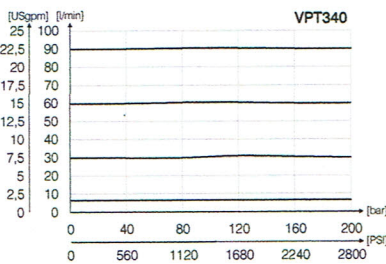
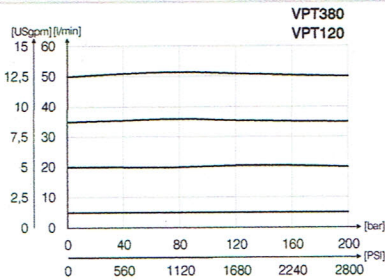
It is necessary a filter use to protect the valve (advised filtration 15 μm)

Portata massima l/min - Max flow USgpm

50 l/min con 30 l/min in R (13,3 USgpm with 8 USgpm in R)	380
90 l/min con 50 l/min in R (24 USgpm with 13,3 USgpm in R)	120
150 l/min con 80 l/min in R (40 USgpm with 21,3 USgpm in R)	340
240 l/min con 150 l/min in R (64 USgpm with 40 USgpm in R)	100



Performances



Technical characteristics

Code	A	Portata max (l/min) Max flow (USgpm)	Pressione max (bar) Max pressure (PSI)	B	C	D	E	F	G	H	I	L	M	N	S	U	Approx weight (lb)
VPP380	BSP3/8	50(13.2)	250 (3625)	90	90	40	44	31	42	64	54	6	78	37	6,5	40	1,15(2.54)
VPP120	BSP1/2	90(23.8)		(3.54)	(3.54)	(1.57)	(1.73)	(1.22)	(1.65)	(2.52)	(2.13)	(0.24)	(3.07)	(1.46)	(0.26)		
VPP340	BSP3/4	150(39.6)		110	110	50	40	35	52	88	/	10,5	/	24	8,5	(1.57)	1,94(4.28)
				(4.33)	(4.33)	(1.97)	(1.57)	(1.38)	(2.05)	(3.46)		(0.41)		(0.94)	(0.33)		
VPP100	BSP1	240(63.4)	140	130	70	49,5	46	41	/	90	10	100	38	10,5	44,5	2,05(4.52)	
			(5.51)	(5.12)	(2.76)	(1.95)	(1.81)	(1.61)		(3.54)	(0.39)	(3.94)	(1.50)	(0.41)	(1.75)		