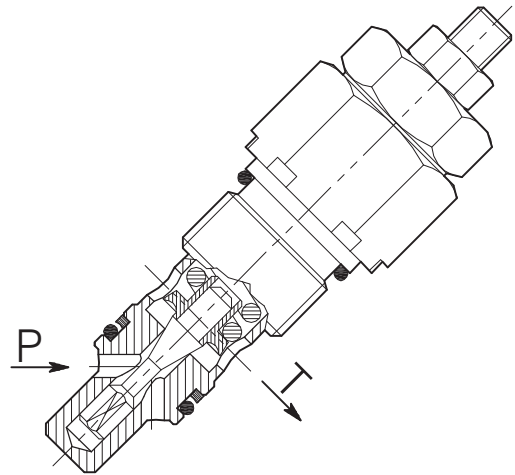
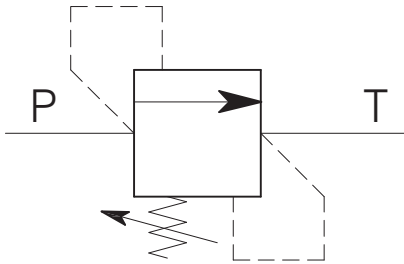


**VMP-20-...**

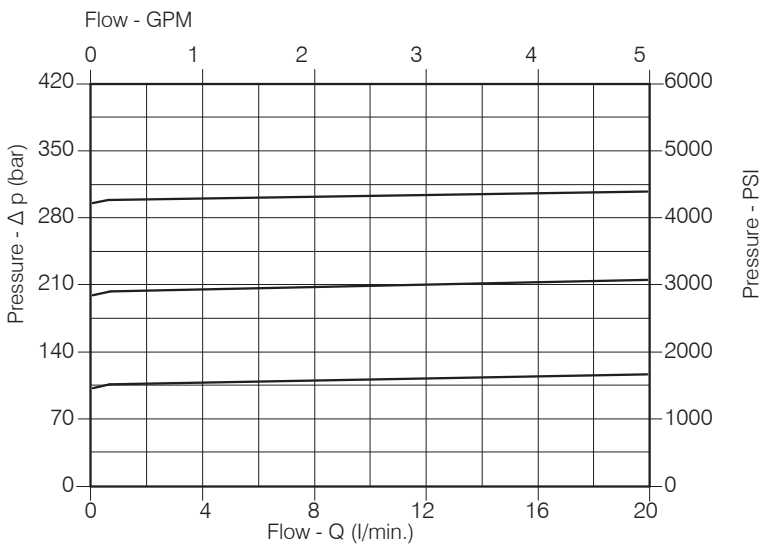
**CARTRIDGE RELIEF, DIRECT ACTING POPPET TYPE VALVE**



**Performance**

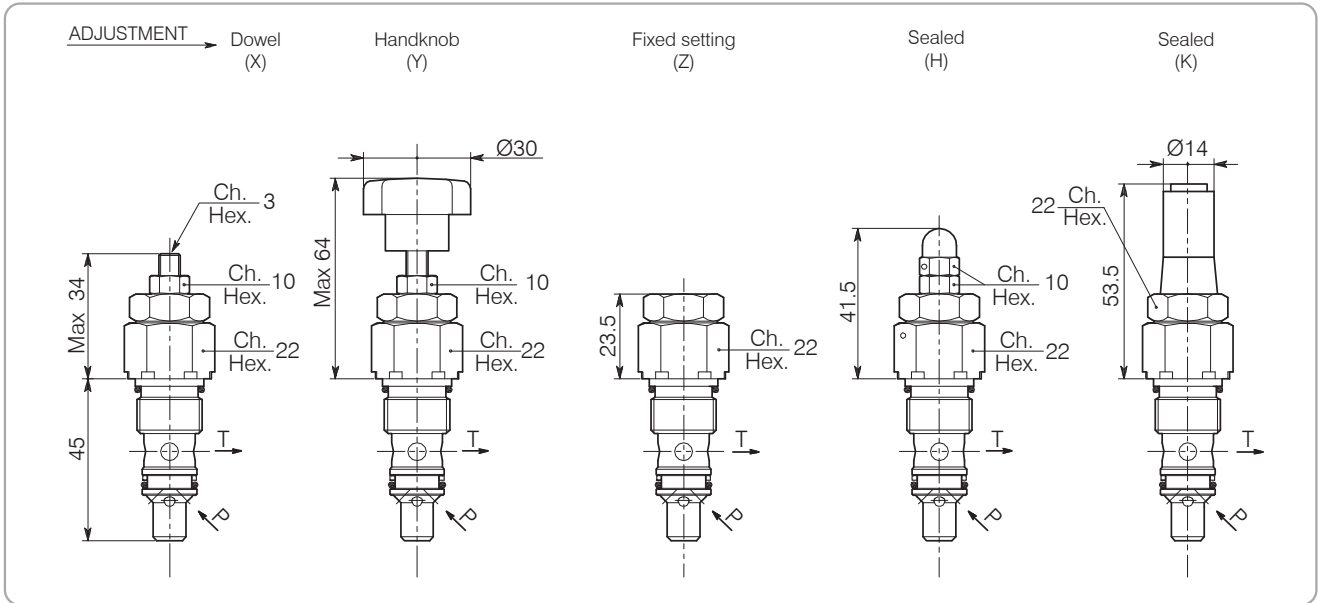
Rated size	DN 6
Min/Max flow-rate	20 l/min - 5.3 GPM
Max working pressure	350 bar - 5075 PSI
Max setting pressure	350 bar - 5075 PSI
Room temperature	-30°C + 50°C
Oil temperature	-30°C + 80°C
Recommended filtration	30÷50 micron
Tightening torque	46÷51 Nm
Weight	0.107 kg

**Performance Details**



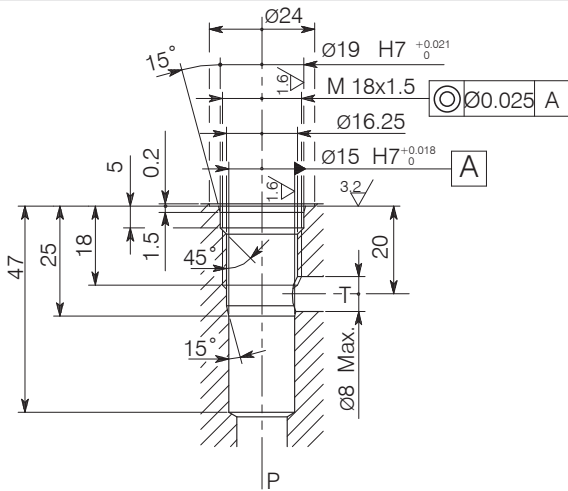
**VMP-20-...**

**Hydraulic valves and integrated components**

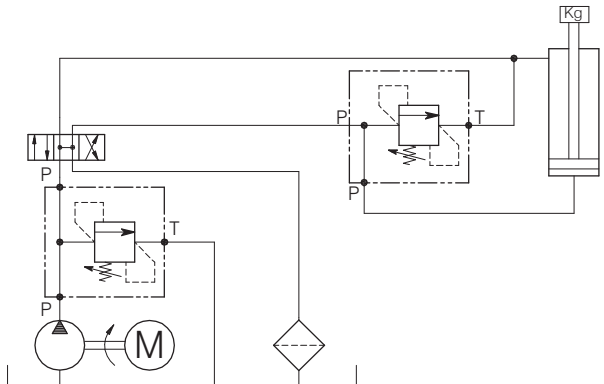


**Cavity CER.012.N**

**Typical Circuit Example**



The valve seat should be perfectly tooled



**Ordering Code**

**2 . 2 . 0 . X . 0**

Setting Range					
2		73		74	
Setting range 5÷100 bar (blue spring)		Setting range 10÷210 bar (green spring)		Setting range 20÷350 bar (yellow spring)	
Std. bar setting (Q=5 l/1')	Pressure rise - turn of screw 70 bar	Std. bar setting (Q=5 l/1')	Pressure rise - turn of screw 140 bar	Std. bar setting (Q=5 l/1')	Pressure rise - turn of screw 280 bar

**Adjustment**

X : Dowel
Y : Handknob
Z : Fixed setting
H : Sealed
K : Sealed