

STBF-BSP

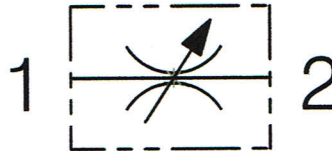
Bidirectional flow control valves



Ordering Code

		01	02
		STBF	
01	Bidirectional flow control valves		STBF
02	Dimensione Size	BSPP1/8	180
		BSPP1/4	140
		BSPP3/8	380
		BSPP1/2	120
		BSPP3/4	340
		BSPP1	100
		BSPP1-1/4	114
		BSPP1-1/2	112

Hydraulic circuit

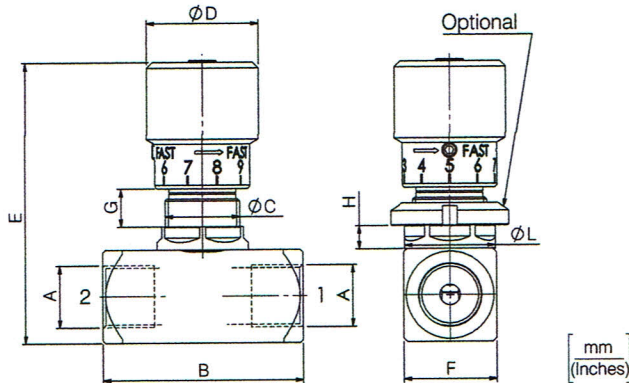
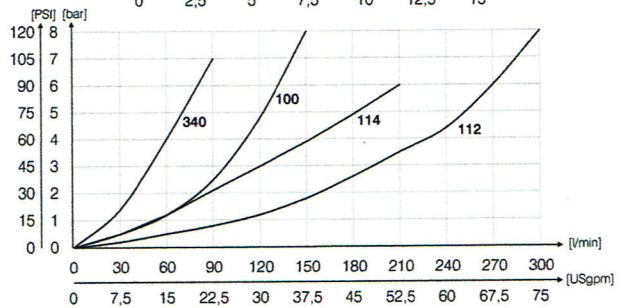
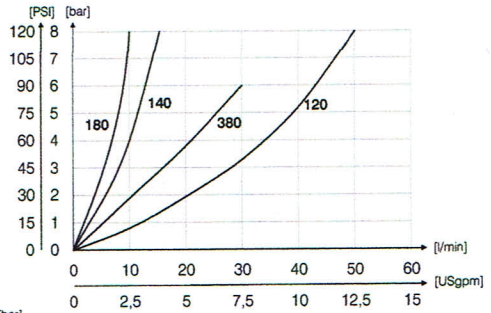


Technical data

Mineral oil	ISO 6743/4 (DIN 51524)
Oil viscosity	15-250 mm ² /s (15 to 250 cSt)
Max contamination index with filter	ISO 4406:1999 Classe 19/17/14
Oil temperature	-20°C +80°C -4°F + 176°F
Ambient temperature	-20°C +50°C -4°F + 122°F

It is necessary a filter use to protect the valve (advised filtration 15 μm)

Performances



Technical characteristics

Code	A	Portata max (l/min) Max flow (USgpm)	Pressione max (bar) Max pressure (PSI)	B	C	D	E	F	G	H	L	Optional Code	Approx weight (lb)
STBF180	BSPP1/8	10 (2.6)	400 (5800)	44(1.73)	M15x1	20 (0.79)	60.5 (2.38)	20 (0.79)	8 (0.31)	5.5 (0.21)	19.5 (0.76)	84100031	0,16 (0.36)
STBF140	BSPP1/4	15 (4)		54 (2.13)	M20x1	30 (1.18)	75(2.95)	25 (0.98)	7.5 (0.29)	6 (0.23)	24.5 (0.96)	84100022	0,31 (0.68)
STBF380	BSPP3/8	30 (7.9)		64(2.52)	M25x1,5	33 (1.30)	81(3.19)	30 (1.18)	9 (0.35)	7 (0.27)	29.5 (1.16)	84100023	0,28 (0.62)
STBF120	BSPP1/2	50 (13.2)		81 (3.19)	M35x1,5	42(1.65)	110(4.33)	40 (1.57)	15.5 (0.61)	8 (0.31)	39.5 (1.55)	84100024	1,13 (2.50)
STBF340	BSPP3/4	80 (21.1)	350 (5075)	102 (4.01)	M45x1,5	53(2.09)	115 (4.53)	45 (1.77)	13.5 (0.53)	10 (0.39)	50 (1.96)	84100030	1,50 (3.3)
STBF100	BSPP1	150 (39.6)		137 (5.39)	55(2.17)	147 (5.79)	65(2.56)	2,37 (5.21)					
STBF114	BSPP1-1/4	200 (52.8)		147 (5.79)	65(2.56)			3,17 (7)					
STBF112	BSPP1-1/2	300 (79.2)											