

**WINMAN 316L Stainless Steel Fittings**

**SSV Series**



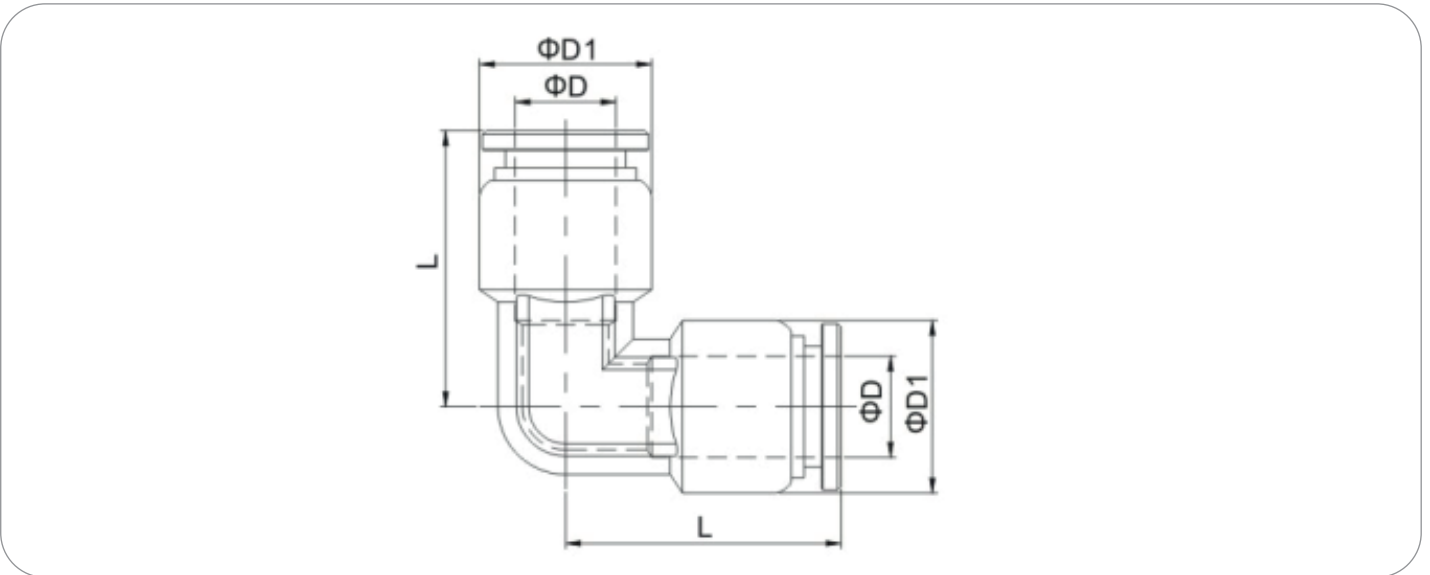
**Product features**

- The materials ensure Anti-Corrosion highly,all of them are made from SUS316L except the seal ring
- FKM is used as the seal ring,which can ensure Anti-Corrosion and acid resistant, also can be used in high temperature
- The accessories are oil-free and reach the Food Hygiene Law of People's Republic of China, which are applied widely in the range of industry such as food severice inustry,chemical industry and medical industry

**Speciality**

Fluid	Air, Water, Steam
Operating Pressure	0~1.5 MPa
Max Pressure	-1.8 MPa
Operating Temperature	-20 °C~140 °C

**Dimension**



MODEL	φD	φD1	L
SSV 04	4	10	18.3
SSV 06	6	12	20.3
SSV 08	8	14	22.3
SSV 10	10	17	26.4
SSV 12	12	20	29.4